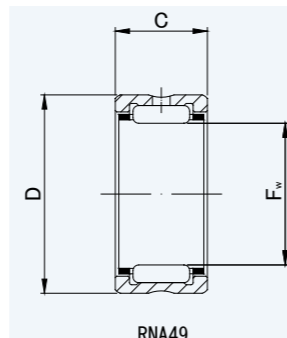
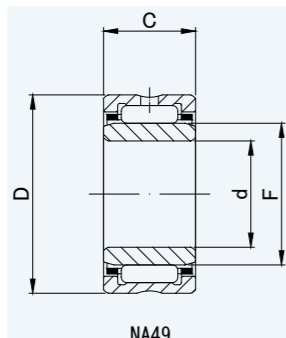


# INTERCHANGE TABLE



**MACHINED RING  
NEEDLE ROLLER  
BEARINGS**  
WITH INNER RING  
WITHOUT INNER RING

**NA49, RNA49**



**NA49, RNA49**

DIMENSION TABLE

INTERCHANGE TABLE

JNS NUMBER WITH INNER RING	Mass (Approx.)	JNS NUMBER WITHOUT INNER RING	Mass (Approx.)	JNS NUMBER Assembled INNER RING	Dimensions(mm)				Basic dynamic load rating	Basic static load rating	IKO		INA		NTN		TORRINGTON(KOYO)	
					d	Fw (F)	D	C			WITH INNER RING	WITHOUT INNER RING	WITH INNER RING	WITHOUT INNER RING	WITH INNER RING	WITHOUT INNER RING	WITH INNER RING	WITHOUT INNER RING
NA 49	g	RNA 49	g	IR					Cr N	Cor N	NA 49	RNA 49	NA 49	RNA 49	NA 49	RNA 49	NA 49	RNA 49
NA 495	7.3	RNA 495	5.9	—	5	7	13	10	2 960	2 690	—	—	—	—	—	—	—	—
NA 496	9.1	RNA 496	7.3	IR6810	6	8	15	10	3 900	3 400	NA496	RNA496	NA496	—	NA496	RNA496	—	—
NA 497	11.2	RNA 497	9.3	IR7910	7	9	17	10	4 500	3 600	NA497	RNA497	NA497	—	NA497	RNA497	—	—
NA 498	15	RNA 498	12.6	IR81011	8	10	19	11	6 200	5 000	NA498	RNA498	NA498	—	NA498	RNA498	—	—
NA 499	16.7	RNA 499	13.6	IR91211	9	12	20	11	6 600	6 300	NA499	RNA499	NA499	—	NA499	RNA499	—	—
NA 4900	24	RNA 4900	16.5	IR101413	10	14	22	13	9 200	10 100	NA4900	RNA4900	NA4900	RNA4900	NA4900R	RNA4900R	NA4900	RNA4900
NA 4901	26.5	RNA 4901	18.1	IR121613	12	16	24	13	9 700	11 100	NA4901	RNA4901	NA4901	RNA4901	NA4901R	RNA4901R	NA4901	RNA4901
NA 4902	35	RNA 4902	21.5	IR152013	15	20	28	13	10 900	13 800	NA4902	RNA4902	NA4902	RNA4902	NA4902R	RNA4902R	NA4902	RNA4902
NA 4903	39	RNA 4903	23.5	IR172213	17	22	30	13	11 800	15 600	NA4903	RNA4903	NA4903	RNA4903	NA4903R	RNA4903R	NA4903	RNA4903
NA 4904	78.5	RNA 4904	55.5	IR202517	20	25	37	17	21 000	25 000	NA4904	RNA4904	NA4904	RNA4904	NA4904R	RNA4904R	NA4904	RNA4904
NA 49/22	87	RNA 49/22	56.5	IR222817	22	28	39	17	21 400	28 800	NA49/22	RNA49/22	NA49/22	RNA49/22	NA49/22R	RNA49/22R	NA49/22	RNA49/22
NA 4905	92.5	RNA 4905	64	IR253017	25	30	42	17	23 700	30 700	NA4905	RNA4905	NA4905	RNA4905	NA4905R	RNA4905R	NA4905	RNA4905
NA 49/28	101	RNA 49/28	76.5	IR283217	28	32	45	17	24 500	32 700	NA49/28	RNA49/28	NA49/28	RNA49/28	NA49/28R	RNA49/28R	—	—
NA 4906	106	RNA 4906	72.5	IR303517	30	35	47	17	25 200	34 700	NA4906	RNA4906	NA4906	RNA4906	NA4906R	RNA4906R	NA4906	RNA4906
NA 49/32	165	RNA 49/32	96	IR324020	32	40	52	20	31 300	47 900	NA49/32	RNA49/32	NA49/32	RNA49/32	NA49/32R	RNA49/32R	NA49/32	RNA49/32
NA 4907	178	RNA 4907	113	IR354220	35	42	55	20	32 000	50 200	NA4907	RNA4907	NA4907	RNA4907	NA4907R	RNA4907R	NA4907	RNA4907
NA 4908	245	RNA 4908	152	IR404822	40	48	62	22	41 600	67 400	NA4908	RNA4908	NA4908	RNA4908	NA4908R	RNA4908R	NA4908	RNA4908
NA 4909	285	RNA 4909	197	IR455222	45	52	68	22	43 500	73 400	NA4909	RNA4909	NA4909	RNA4909	NA4909R	RNA4909R	NA4909	RNA4909
NA 4910	295	RNA 4910	179	IR505822	50	58	72	22	46 200	82 100	NA4910	RNA4910	NA4910	RNA4910	NA4910R	RNA4910R	NA4910	RNA4910
NA 4911	410	RNA 4911	265	IR556325	55	63	80	25	57 600	97 300	NA4911	RNA4911	NA4911	RNA4911	NA4911R	RNA4911R	NA4911	RNA4911
NA 4912	440	RNA 4912	285	IR606825	60	68	85	25	60 100	104 900	NA4912	RNA4912	NA4912	RNA4912	NA4912R	RNA4912R	NA4912	RNA4912
NA 4913	470	RNA 4913	325	IR657225	65	72	90	25	62 800	113 800	NA4913	RNA4913	NA4913	RNA4913	NA4913R	RNA4913R	NA4913	RNA4913
NA 4914	765	RNA 4914	495	IR708030	70	80	100	30	83 200	157 900	NA4914	RNA4914	NA4914	RNA4914	NA4914R	RNA4914R	NA4914	RNA4914
NA 4915	810	RNA 4915	525	IR758530	75	85	105	30	86 200	169 700	NA4915	RNA4915	NA4915	RNA4915	NA4915R	RNA4915R	NA4915	RNA4915
NA 4916	855	RNA 4916	550	IR809030	80	90	110	30	87 400	174 600	NA4916	RNA4916	NA4916	RNA4916	NA4916R	RNA4916R	NA4916	RNA4916
NA 4917	1 280	RNA 4917	705	IR8510035	85	100	120	35	109 800	244 200	NA4917	RNA4917	NA4917	RNA4917	NA4917R	RNA4917R	NA4917	RNA4917
NA 4918	1 350	RNA 4918	740	IR9010535	90	105	125	35	112 800	257 900	NA4918	RNA4918	NA4918	RNA4918	NA4918R	RNA4918R	NA4918	RNA4918
NA 4919	1 420	RNA 4919	770	IR9511035	95	110	130	35	116 700	270 700	NA4919	RNA4919	NA4919	RNA4919	NA4919R	RNA4919R	NA4919	RNA4919
NA 4920	1 960	RNA 4920	1 190	IR10011540	100	115	140	40	145 000	329 000	NA4920	RNA4920	NA4920	RNA4920	NA4920	RNA4920	NA4920	RNA4920
NA 4922	2 120	RNA 4922	1 280	IR11012540	110	125	150	40	152 000	357 000	NA4922	RNA4922	NA4922	RNA4922	NA4922	RNA4922	NA4922	RNA4922
NA 4924	2 960	RNA 4924	1 930	IR12013545	120	135	165	45	187 000	435 000	NA4924	RNA4924	NA4924	RNA4924	NA4924	RNA4924	NA4924	RNA4924
NA 4926	4 030	RNA 4926	2 360	IR13015050	130	150	180	50	216 000	540 000	NA4926	RNA4926	NA4926	RNA4926	NA4926	RNA4926	NA4926	RNA4926
NA 4928	4 290	RNA 4928	2 500	IR14016050	140	160	190	50	224 000	580 000	NA4928	RNA4928	NA4928	RNA4928	NA4928	RNA4928	NA4928	RNA4928

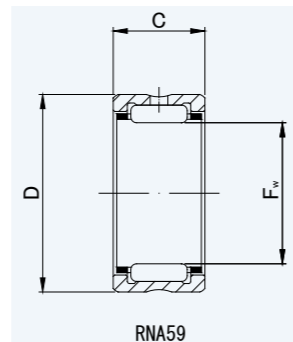
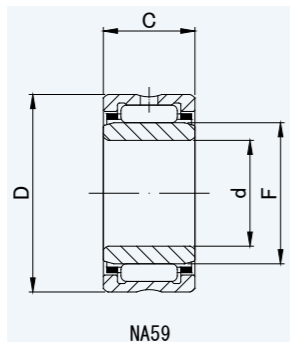
INTERCHANGE

INTERCHANGE

# MACHINED RING NEEDLE ROLLER BEARINGS

WITH INNER RING  
WITHOUT INNER RING

# NA59, RNA59



## NA59, RNA59

DIMENSION TABLE

INTERCHANGE TABLE

JNS NUMBER WITH INNER RING	Mass (Approx.)	JNS NUMBER WITHOUT INNER RING	Mass (Approx.)	JNS NUMBER Assembled INNER RING	Dimensions(mm)				Basic dynamic load rating	Basic static load rating	IKO		INA		NTN		TORRINGTON(KOYO)	
					d	Fw (F)	D	C			Cr N	Cor N	WITH INNER RING	WITHOUT INNER RING	WITH INNER RING	WITHOUT INNER RING	WITH INNER RING	WITHOUT INNER RING
NA 59	g	RNA 59	g	IR	d	Fw (F)	D	C	Cr N	Cor N	—	—	—	—	NA 59	RNA 59	—	—
<b>NA 5902</b>	52	<b>RNA 5902</b>	33	<b>IR152018</b>	15	20	28	18	15 700	22 100	—	—	—	—	NA5902	RNA5902	—	—
<b>NA 5903</b>	56	<b>RNA 5903</b>	35	<b>IR172218</b>	17	22	30	18	16 900	24 900	—	—	—	—	NA5903	RNA5903	—	—
<b>NA 5904</b>	115	<b>RNA 5904</b>	84	<b>IR202523</b>	20	25	37	23	29 400	38 600	—	—	—	—	NA5904	RNA5904	—	—
<b>NA 59/22</b>	134	<b>RNA 59/22</b>	92	<b>IR222823</b>	22	28	39	23	29 800	44 400	—	—	—	—	NA59/22	RNA59/22	—	—
<b>NA 5905</b>	139	<b>RNA 5905</b>	101	<b>IR253023</b>	25	30	42	23	33 200	47 500	—	—	—	—	NA5905	RNA5905	—	—
<b>NA 59/28</b>	142	<b>RNA 59/28</b>	108	<b>IR283223</b>	28	32	45	23	34 300	50 500	—	—	—	—	NA59/28	RNA59/28	—	—
<b>NA 5906</b>	152	<b>RNA 5906</b>	108	<b>IR303523</b>	30	35	47	23	35 200	53 700	—	—	—	—	NA5906	RNA5906	—	—
<b>NA 59/32</b>	241	<b>RNA 59/32</b>	149	<b>IR324027</b>	32	40	52	27	41 900	69 900	—	—	—	—	NA59/32	RNA59/32	—	—
<b>NA 5907</b>	256	<b>RNA 5907</b>	176	<b>IR354227</b>	35	42	55	27	42 900	73 200	—	—	—	—	NA5907	RNA5907	—	—
<b>NA 5908</b>	348	<b>RNA 5908</b>	225	<b>IR404830</b>	40	48	62	30	58 000	103 000	—	—	—	—	NA5908	RNA5908	—	—
<b>NA 5909</b>	396	<b>RNA 5909</b>	232	<b>IR455230</b>	45	52	68	30	60 700	112 000	—	—	—	—	NA5909	RNA5909	—	—
<b>NA 5910</b>	498	<b>RNA 5910</b>	289	<b>IR505830</b>	50	58	72	30	64 400	126 000	—	—	—	—	NA5910	RNA5910	—	—
<b>NA 5911</b>	559	<b>RNA 5911</b>	367	<b>IR556334</b>	55	63	80	34	82 600	154 000	—	—	—	—	NA5911	RNA5911	—	—
<b>NA 5912</b>	614	<b>RNA 5912</b>	408	<b>IR606834</b>	60	68	85	34	86 100	167 000	—	—	—	—	NA5912	RNA5912	—	—
<b>NA 5913</b>	655	<b>RNA 5913</b>	462	<b>IR657234</b>	65	72	90	34	89 900	180 000	—	—	—	—	NA5913	RNA5913	—	—
<b>NA 5914</b>	1 060	<b>RNA 5914</b>	706	<b>IR708040</b>	70	80	100	40	112 000	232 000	—	—	—	—	NA5914	RNA5914	—	—
<b>NA 5915</b>	1 130	<b>RNA 5915</b>	745	<b>IR758540</b>	75	85	105	40	116 000	249 000	—	—	—	—	NA5915	RNA5915	—	—
<b>NA 5916</b>	1 150	<b>RNA 5916</b>	787	<b>IR809040</b>	80	90	110	40	117 000	257 000	—	—	—	—	NA5916	RNA5916	—	—
<b>NA 5917</b>	1 760	<b>RNA 5917</b>	1 000	<b>IR8510046</b>	85	100	120	46	144 000	346 000	—	—	—	—	NA5917	RNA5917	—	—
<b>NA 5918</b>	1 840	<b>RNA 5918</b>	1 040	<b>IR9010546</b>	90	105	125	46	148 000	365 000	—	—	—	—	NA5918	RNA5918	—	—
<b>NA 5919</b>	1 980	<b>RNA 5919</b>	1 130	<b>IR9511046</b>	95	110	130	46	152 000	384 000	—	—	—	—	NA5919	RNA5919	—	—

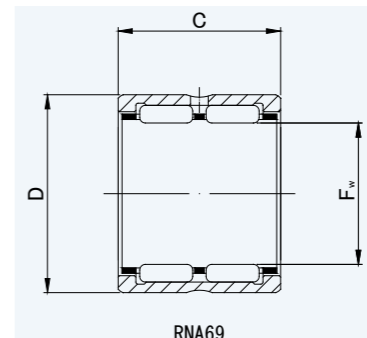
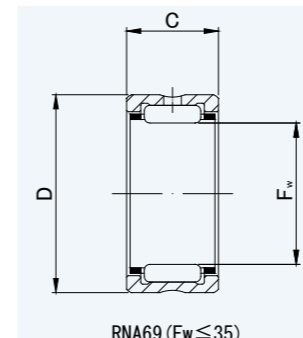
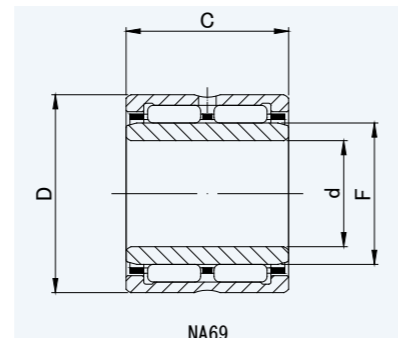
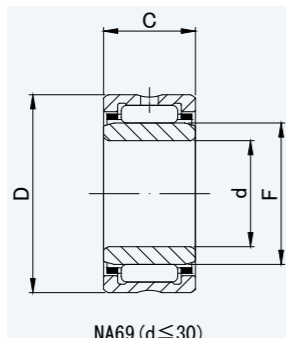


INTERCHANGE



INTERCHANGE

**MACHINED RING  
NEEDLE ROLLER  
BEARINGS**  
WITH INNER RING  
WITHOUT INNER RING



**NA69, RNA69**

**NA69, RNA69**

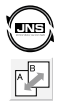
DIMENSION TABLE

INTERCHANGE TABLE

JNS NUMBER WITH INNER RING	Mass (Approx.)	JNS NUMBER WITHOUT INNER RING	Mass (Approx.)	JNS NUMBER Assembled INNER RING	Dimensions(mm)				Basic dynamic load rating	Basic static load rating	IKO		INA		NTN		TORRINGTON(KOYO)	
					d	Fw (F)	D	C			WITH INNER RING	WITHOUT INNER RING	WITH INNER RING	WITHOUT INNER RING	WITH INNER RING	WITHOUT INNER RING	WITH INNER RING	WITHOUT INNER RING
NA 69	g	RNA 69	g	IR	d	Fw (F)	D	C	Cr N	Cor N	NA 69	RNA 69	NA 69	RNA 69	NA 69	RNA 69	NA 69	RNA 69
NA 6901	44.5	RNA 6901	30	IR121622	12	16	24	22	17 100	23 000	NA6901	RNA6901	NA6901	RNA6901	NA6901R	RNA6901R	NA6901	RNA6901
NA 6902	61	RNA 6902	37	IR152023	15	20	28	23	19 300	28 700	NA6902	RNA6902	NA6902	RNA6902	NA6902R	RNA6902R	NA6902	RNA6902
NA 6903	67	RNA 6903	40.5	IR172223	17	22	30	23	20 800	32 500	NA6903	RNA6903	NA6903	RNA6903	NA6903R	RNA6903R	NA6903	RNA6903
NA 6904	136	RNA 6904	95.5	IR202530	20	25	37	30	35 400	48 800	NA6904	RNA6904	NA6904	RNA6904	NA6904R	RNA6904R	NA6904	RNA6904
NA 69/22	152	RNA 69/22	97.5	IR222830	22	28	39	30	36 300	56 900	NA69/22	RNA69/22	NA69/22	RNA69/22	NA69/22R	RNA69/22R	NA69/22	RNA69/22
NA 6905	160	RNA 6905	111	IR253030	25	30	42	30	42 100	64 200	NA6905	RNA6905	NA6905	RNA6905	NA6905R	RNA6905R	NA6905	RNA6905
NA 69/28	176	RNA 69/28	133	IR283230	28	32	45	30	41 800	64 700	NA69/28	RNA69/28	NA69/28	RNA69/28	NA69/28R	RNA69/28R	NA69/28	RNA69/28
NA 6906	184	RNA 6906	125	IR303530	30	35	47	30	43 100	69 000	NA6906	RNA6906	NA6906	RNA6906	NA6906R	RNA6906R	NA6906	RNA6906
NA 69/32	295	RNA 69/32	172	IR324036	32	40	52	36	53 500	95 700	NA69/32	RNA69/32	NA69/32	RNA69/32	NA69/32R	RNA69/32R	NA69/32	RNA69/32
NA 6907	320	RNA 6907	200	IR354236	35	42	55	36	54 800	100 000	NA6907	RNA6907	NA6907	RNA6907	NA6907R	RNA6907R	NA6907	RNA6907
NA 6908	440	RNA 6908	275	IR404840	40	48	62	40	71 300	134 400	NA6908	RNA6908	NA6908	RNA6908	NA6908R	RNA6908R	NA6908	RNA6908
NA 6909	520	RNA 6909	355	IR455240	45	52	68	40	74 600	147 100	NA6909	RNA6909	NA6909	RNA6909	NA6909R	RNA6909R	NA6909	RNA6909
NA 6910	530	RNA 6910	320	IR505840	50	58	72	40	79 100	163 800	NA6910	RNA6910	NA6910	RNA6910	NA6910R	RNA6910R	NA6910	RNA6910
NA 6911	730	RNA 6911	475	IR556345	55	63	80	45	99 000	194 200	NA6911	RNA6911	NA6911	RNA6911	NA6911R	RNA6911R	NA6911	RNA6911
NA 6912	785	RNA 6912	510	IR606845	60	68	85	45	103 000	210 800	NA6912	RNA6912	NA6912	RNA6912	NA6912R	RNA6912R	NA6912	RNA6912
NA 6913	840	RNA 6913	585	IR657245	65	72	90	45	107 900	226 500	NA6913	RNA6913	NA6913	RNA6913	NA6913R	RNA6913R	NA6913	RNA6913
NA 6914	1 400	RNA 6914	910	IR708054	70	80	100	54	133 400	310 900	NA6914	RNA6914	NA6914	RNA6914	NA6914R	RNA6914R	NA6914	RNA6914
NA 6915	1 480	RNA 6915	960	IR758554	75	85	105	54	138 300	330 500	NA6915	RNA6915	NA6915	RNA6915	NA6915R	RNA6915R	NA6915	RNA6915
NA 6916	1 560	RNA 6916	1 010	IR809054	80	90	110	54	143 200	350 100	NA6916	RNA6916	NA6916	RNA6916	NA6916R	RNA6916R	NA6916	RNA6916
NA 6917	2 340	RNA 6917	1 300	IR8510063	85	100	120	63	172 600	466 800	NA6917	RNA6917	NA6917	RNA6917	NA6917R	RNA6917R	NA6917	RNA6917
NA 6918	2 460	RNA 6918	1 360	IR9010563	90	105	125	63	177 500	490 300	NA6918	RNA6918	NA6918	RNA6918	NA6918R	RNA6918R	NA6918	RNA6918
NA 6919	2 580	RNA 6919	1 420	IR9511063	95	110	130	63	182 400	514 800	NA6919	RNA6919	NA6919	RNA6919	NA6919R	RNA6919R	NA6919	RNA6919

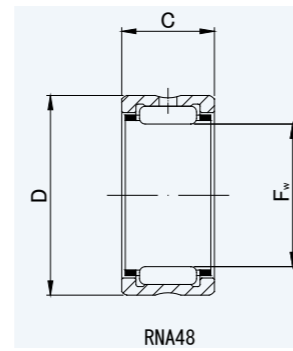
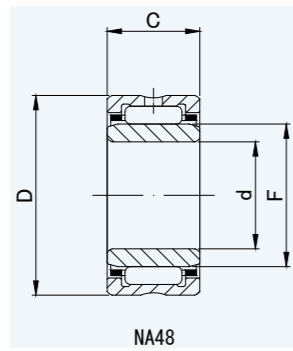


INTERCHANGE



INTERCHANGE

**MACHINED RING  
NEEDLE ROLLER  
BEARINGS**  
WITH INNER RING  
WITHOUT INNER RING



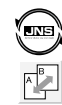
**NA48, RNA48**

**NA48, RNA48**

DIMENSION TABLE

INTERCHANGE TABLE

JNS NUMBER WITH INNER RING	Mass (Approx.)	JNS NUMBER WITHOUT INNER RING	Mass (Approx.)	JNS NUMBER Assembled INNER RING	Dimensions(mm)				Basic dynamic load rating	Basic static load rating	IKO		INA		NTN		TORRINGTON(KOYO)	
											WITH INNER RING	WITHOUT INNER RING	WITH INNER RING	WITHOUT INNER RING	WITH INNER RING	WITHOUT INNER RING	WITH INNER RING	WITHOUT INNER RING
NA 48	g	RNA 48	g	IR	d	Fw (F)	D	C	Cr N	Cor N	NA 48	RNA 48	NA 48	RNA 48	NA 48	RNA 48	NA 48	RNA 48
<b>NA 4822</b>	1 200	<b>RNA4822</b>	790	<b>IR11012030</b>	110	120	140	30	93 000	239 000	NA4822	RNA4822	NA4822	RNA4822	NA4822	RNA4822	NA4822	RNA4822
<b>NA 4824</b>	1 300	<b>RNA4824</b>	850	<b>IR12013030</b>	120	130	150	30	97 000	259 000	NA4824	RNA4824	NA4824	RNA4824	NA4824	RNA4824	NA4824	RNA4824
<b>NA 4826</b>	1 960	<b>RNA4826</b>	1 100	<b>IR13014535</b>	130	145	165	35	117 000	340 000	NA4826	RNA4826	NA4826	RNA4826	NA4826	RNA4826	NA4826	RNA4826
<b>NA 4828</b>	2 100	<b>RNA4828</b>	1 170	<b>IR14015535</b>	140	155	175	35	121 000	363 000	NA4828	RNA4828	NA4828	RNA4828	NA4828	RNA4828	NA4828	RNA4828
<b>NA 4830</b>	2 880	<b>RNA4830</b>	1 750	<b>IR15016540</b>	150	165	190	40	168 000	446 000	NA4830	RNA4830	NA4830	RNA4830	NA4830	RNA4830	NA4830	RNA4830
<b>NA 4832</b>	3 050	<b>RNA4832</b>	1 850	<b>IR16017540</b>	160	175	200	40	173 000	474 000	NA4832	RNA4832	NA4832	RNA4832	NA4832	RNA4832	NA4832	RNA4832



INTERCHANGE



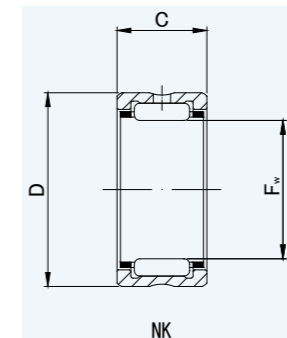
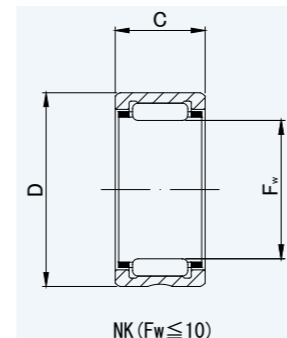
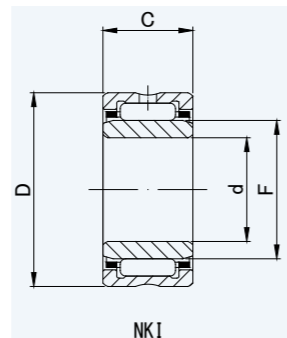
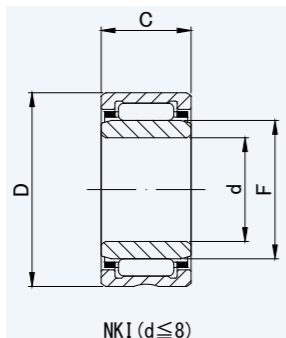
INTERCHANGE



# MACHINED RING NEEDLE ROLLER BEARINGS

WITH INNER RING  
WITHOUT INNER RING

NK, NKI



## NK, NKI

DIMENSION TABLE

INTERCHANGE TABLE

JNS NUMBER WITH INNER RING	Mass (Approx.)	JNS NUMBER WITHOUT INNER RING	Mass (Approx.)	JNS NUMBER Assembled INNER RING	Dimensions(mm)				Basic dynamic load rating	Basic static load rating	IKO		INA		NTN		TORRINGTON(KOYO)	
					d	Fw (F)	D	C			WITH INNER RING	WITHOUT INNER RING	WITH INNER RING	WITHOUT INNER RING	WITH INNER RING	WITHOUT INNER RING	WITH INNER RING	WITHOUT INNER RING
NKI	g	NK	g	IR	d	Fw (F)	D	C	Cr N	Cor N	TAFI	TAF	NKI	NK	NK+IR	NK	NKJ	NK
—	—	<b>NK5/10</b>	3.4	—	—	5	10	10	2 420	1 950	—	TAF51010	—	NK5/10 TN	—	NK5/10 T2	—	NK5/10 TN
—	—	<b>NK5/12</b>	4.2	—	—	5	10	12	3 080	2 660	—	TAF51012	—	NK5/12 TN	—	NK5/12 T2	—	NK5/12 TN
—	—	<b>NK6/10</b>	5.3	—	—	6	12	10	2 700	2 320	—	—	—	NK6/10 TN	—	NK6/10 T2	—	NK6/10
—	—	<b>NK6/12</b>	6.4	—	—	6	12	12	3 440	3 170	—	TAF61212	—	NK6/12 TN	—	NK6/12 T2	—	NK6/12 TN
—	—	<b>NK7/10</b>	6.9	—	—	7	14	10	3 600	2 960	—	TAF71410	—	NK7/10 TN	—	NK7/10 T2	—	NK7/10 TN
—	—	<b>NK7/12</b>	8.3	—	—	7	14	12	4 610	4 050	—	TAF71412	—	NK7/12 TN	—	NK7/12 T2	—	NK7/12 TN
<b>NKI 5/12</b>	11.9	<b>NK8/12</b>	9	<b>IR5812</b>	5	8	15	12	5 100	4 700	TAFI 51512	TAF81512	NKI 5/12 TN	NK8/12 TN	NK8/12 T2 + IR5812	NK8/12 T2	NKJ 5/12	NK8/12
<b>NKI 5/16</b>	16.7	<b>NK8/16</b>	13	<b>IR5816</b>	5	8	15	16	7 100	7 300	TAFI 51516	TAF81516	NKI 5/16 TN	NK8/16 TN	NK8/16 T2 + IR5816	NK8/16 T2	NKJ 5/16	NK8/16
<b>NKI 6/12</b>	13	<b>NK9/12</b>	10	<b>IR6912</b>	6	9	16	12	5 500	5 300	TAFI 61612	TAF91612	NKI 6/12 TN	NK9/12 TN	NK9/12 T2 + IR6912	NK9/12 T2	NKJ 6/12	NK9/12
<b>NKI 6/16</b>	17.5	<b>NK9/16</b>	13.2	<b>IR6916</b>	6	9	16	16	7 600	8 200	TAFI 61616	TAF91616	NKI 6/16 TN	NK9/16 TN	NK9/16 T2 + IR6916	NK9/16 T2	NKJ 6/16	NK9/16
<b>NKI 7/12</b>	14.3	<b>NK10/12</b>	10.7	<b>IR71012</b>	7	10	17	12	5 900	6 000	TAFI 71712	TAF101712	NKI 7/12 TN	NK10/12 TN	NK10/12 T2 + IR71012	NK10/12 T2	NKJ 7/12	NK10/12
<b>NKI 7/16</b>	19.2	<b>NK10/16</b>	14.3	<b>IR71016</b>	7	10	17	16	8 200	9 200	TAFI 71716	TAF101716	NKI 7/16 TN	NK10/16 TN	NK10/16 + IR71016	NK10/16	NKJ 7/16 TN	NK10/16 TN
<b>NKI 9/12</b>	16.7	<b>NK12/12</b>	12.2	<b>IR91212</b>	9	12	19	12	6 600	7 300	TAFI 91912	TAF121912	NKI 9/12	NK12/12	NK12/12 + IR91212	NK12/12	NKJ 9/12	NK12/12
<b>NKI 9/16</b>	22.5	<b>NK12/16</b>	16.3	<b>IR91216</b>	9	12	19	16	9 200	11 200	TAFI 91916	TAF121916	NKI 9/16	NK12/16	NK12/16 + IR91216	NK12/16	NKJ 9/16	NK12/16
<b>NKI 10/16</b>	30	<b>NK14/16</b>	21	<b>IR101416</b>	10	14	22	16	11 800	13 700	TAFI 102216	TAF142216	NKI 10/16	NK14/16	NK14/16R + IR101416	NK14/16R	NKJ 10/16	NK14/16
<b>NKI 10/20</b>	38	<b>NK14/20</b>	26.5	<b>IR101420</b>	10	14	22	20	14 800	18 500	TAFI 102220	TAF142220	NKI 10/20	NK14/20	NK14/20R + IR101420	NK14/20R	NKJ 10/20	NK14/20
—	—	<b>NK15/16</b>	22.5	—	—	15	23	16	12 400	14 900	—	TAF152316	—	NK15/16	—	NK15/16R	—	NK15/16
—	—	<b>NK15/20</b>	28	—	—	15	23	20	15 600	20 200	—	TAF152320	—	NK15/20	—	NK15/20R	—	NK15/20
<b>NKI 12/16</b>	33.5	<b>NK16/16</b>	23	<b>IR121616</b>	12	16	24	16	12 300	15 100	TAFI 122416	TAF162416	NKI 12/16	NK16/16	NK16/16R + IR121616	NK16/16R	NKJ 12/16	NK16/16
<b>NKI 12/20</b>	42.5	<b>NK16/20</b>	29	<b>IR121620</b>	12	16	24	20	15 600	20 400	TAFI 122420	TAF162420	NKI 12/20	NK16/20	NK16/20R + IR121620	NK16/20R	NKJ 12/20	NK16/20
—	—	<b>NK17/16</b>	25	—	—	17	25	16	12 800	16 300	—	TAF172516	—	NK17/16	—	NK17/16R	—	NK17/16
—	—	<b>NK17/20</b>	31	—	—	17	25	20	16 300	22 100	—	TAF172520	—	NK17/20	—	NK17/20R	—	NK17/20
—	—	<b>NK18/16</b>	26	—	—	18	26	16	13 400	17 500	—	TAF182616	—	NK18/16	—	NK18/16R	—	NK18/16
—	—	<b>NK18/20</b>	32	—	—	18	26	20	17 000	23 600	—	TAF182620	—	NK18/20	—	NK18/20R	—	NK18/20
<b>NKI 15/16</b>	39.5	<b>NK19/16</b>	27	<b>IR151916</b>	15	19	27	16	14 000	18 700	TAFI 152716	TAF192716	NKI 15/16	NK19/16	NK19/16R + IR151916	NK19/16R	NKJ 15/16	NK19/16
<b>NKI 15/20</b>	50	<b>NK19/20</b>	34	<b>IR151920</b>	15	19	27	20	17 700	25 300	TAFI 152720	TAF192720	NKI 15/20	NK19/20	NK19/20R + IR151920	NK19/20R	NKJ 15/20	NK19/20
—	—	<b>NK20/16</b>	28	—	—	20	28	16	13 900	18 700	—	TAF202816	—	NK20/16	—	NK20/16R	—	NK20/16
—	—	<b>NK20/20</b>	36	—	—	20	28	20	17 600	25 400	—	TAF202820	—	NK20/20	—	NK20/20R	—	NK20/20
<b>NKI 17/16</b>	43.5	<b>NK21/16</b>	29	<b>IR172116</b>	17	21	29	16	14 400	20 000	TAFI 172916	TAF212916	NKI 17/16	NK21/16	NK21/16R + IR172116	NK21/16R	NKJ 17/16	NK21/16
<b>NKI 17/20</b>	54	<b>NK21/20</b>	36	<b>IR172120</b>	17	21	29	20	18 200	27 100	TAFI 172920	TAF212920	NKI 17/20	NK21/20	NK21/20R + IR172120	NK21/20R	NKJ 17/20	NK21/20
—	—	<b>NK22/16</b>	30	—	—	22	30	16	14 900	21 200	—	TAF223016	—	NK22/16	—	NK22/16R	—	NK22/16
—	—	<b>NK22/20</b>	38	—	—	22	30	20	18 900	28 700	—	TAF223020	—	NK22/20	—	NK22/20R	—	NK22/20
<b>NKI 20/16</b>	48.5	<b>NK24/16</b>	32	<b>IR202416</b>	20	24	32	16	15 300	22 600	TAFI 203216	TAF243216	NKI 20/16	NK24/16	NK24/16R + IR202416	NK24/16R	NKJ 20/16	NK24/16
<b>NKI 20/20</b>	61	<b>NK24/20</b>	41	<b>IR202420</b>	20	24	32	20	19 400	30 500	TAFI 203220	TAF243220	NKI 20/20	NK24/20	NK24/20R + IR202420	NK24/20R	NKJ 20/20	NK24/20

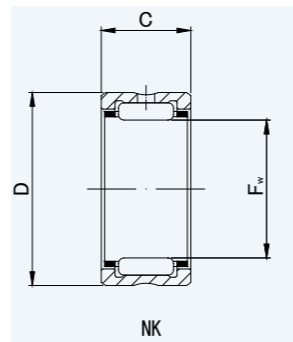
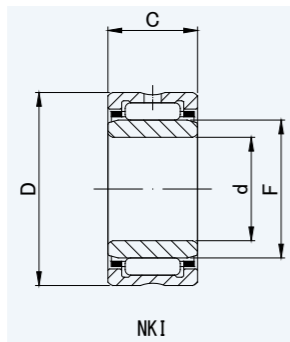
NK type of 10mm or less inscribed circle diameter (Fw) is without oil hole.  
NKI type of 8mm or less inscribed circle diameter (d) is without oil hole.

INTERCHANGE

INTERCHANGE

# MACHINED RING NEEDLE ROLLER BEARINGS

WITH INNER RING  
WITHOUT INNER RING



NK, NKI

## NK, NKI

DIMENSION TABLE

INTERCHANGE TABLE

JNS NUMBER WITH INNER RING	Mass (Approx.)	JNS NUMBER WITHOUT INNER RING	Mass (Approx.)	JNS NUMBER Assembled INNER RING	Dimensions(mm)				Basic dynamic load rating	Basic static load rating	IKO		INA		NTN		TORRINGTON(KOYO)	
					d	Fw (F)	D	C			WITH INNER RING	WITHOUT INNER RING	WITH INNER RING	WITHOUT INNER RING	WITH INNER RING	WITHOUT INNER RING	WITH INNER RING	WITHOUT INNER RING
NKI	g	NK	g	IR	d	Fw (F)	D	C	Cr N	Cor N	TAFI	TAF	NKI	NK	NK+IR	NK	NKJ	NK
—	—	<b>NK25/16</b>	34	—	—	25	33	16	15 800	23 700	—	TAF253316	—	NK25/16	—	NK25/16R	—	NK25/16
—	—	<b>NK25/20</b>	42	—	—	25	33	20	20 000	32 200	—	TAF253320	—	NK25/20	—	NK25/20R	—	NK25/20
<b>NKI 22/16</b>	52	<b>NK26/16</b>	35	<b>IR222616</b>	22	26	34	16	16 300	24 900	TAFI 223416	TAF263416	NKI 22/16	NK26/16	NK26/16R + IR222616	NK26/16R	NKJ 22/16	NK26/16
<b>NKI 22/20</b>	67.5	<b>NK26/20</b>	44	<b>IR222620</b>	22	26	34	20	20 600	33 700	TAFI 223420	TAF263420	NKI 22/20	NK26/20	NK26/20R + IR222620	NK26/20R	NKJ 22/20	NK26/20
—	—	<b>NK28/20</b>	52	—	—	28	37	20	21 700	37 100	—	TAF283720	—	NK28/20	—	NK28/20R	—	NK28/20
—	—	<b>NK28/30</b>	84	—	—	28	37	30	31 100	58 900	—	TAF283730	—	NK28/30	—	NK28/30R	—	NK28/30
<b>NKI 25/20</b>	82	<b>NK29/20</b>	57	<b>IR252920</b>	25	29	38	20	21 600	37 200	TAFI 253820	TAF293820	NKI 25/20	NK29/20	NK29/20R + IR252920	NK29/20R	NKJ 25/20	NK29/20
<b>NKI 25/30</b>	123	<b>NK29/30</b>	85	<b>IR252930</b>	25	29	38	30	30 900	59 000	TAFI 253830	TAF293830	NKI 25/30	NK29/30	NK29/30R + IR252930	NK29/30R	NKJ 25/30	NK29/30
—	—	<b>NK30/20</b>	65	—	—	30	40	20	25 100	40 100	—	TAF304020	—	NK30/20	—	NK30/20R	—	NK30/20
—	—	<b>NK30/30</b>	98	—	—	30	40	30	36 000	63 800	—	TAF304030	—	NK30/30	—	NK30/30R	—	NK30/30
<b>NKI 28/20</b>	96.5	<b>NK32/20</b>	68	<b>IR283220</b>	28	32	42	20	25 700	42 200	TAFI 284220	TAF324220	NKI 28/20	NK32/20	NK32/20R + IR283220	NK32/20R	NKJ 28/20	NK32/20
<b>NKI 28/30</b>	145	<b>NK32/30</b>	102	<b>IR283230</b>	28	32	42	30	36 900	67 100	TAFI 284230	TAF324230	NKI 28/30	NK32/30	NK32/30R + IR283230	NK32/30R	NKJ 28/30	NK32/30
<b>NKI 30/20</b>	112	<b>NK35/20</b>	74	<b>IR303520</b>	30	35	45	20	27 000	46 200	TAFI 304520	TAF354520	NKI 30/20	NK35/20	NK35/20R + IR303520	NK35/20R	NKJ 30/20	NK35/20
<b>NKI 30/30</b>	171	<b>NK35/30</b>	112	<b>IR303530</b>	30	35	45	30	38 600	73 500	TAFI 304530	TAF354530	NKI 30/30	NK35/30	NK35/30R + IR303530	NK35/30R	NKJ 30/30	NK35/30
<b>NKI 32/20</b>	121	<b>NK37/20</b>	78	<b>IR323720</b>	32	37	47	20	28 200	50 100	TAFI 324720	TAF374720	NKI 32/20	NK37/20	NK37/20R + IR323720	NK37/20R	NKJ 32/20	NK37/20
<b>NKI 32/30</b>	180	<b>NK37/30</b>	117	<b>IR323730</b>	32	37	47	30	40 500	79 800	TAFI 324730	TAF374730	NKI 32/30	NK37/30	NK37/30R + IR323730	NK37/30R	NKJ 32/30	NK37/30
—	—	<b>NK38/20</b>	79	—	—	38	48	20	28 100	50 200	—	TAF384820	—	NK38/20	—	NK38/20R	—	NK38/20
—	—	<b>NK38/30</b>	119	—	—	38	48	30	40 300	80 000	—	TAF384830	—	NK38/30	—	NK38/30R	—	NK38/30
<b>NKI 35/20</b>	129	<b>NK40/20</b>	83	<b>IR354020</b>	35	40	50	20	29 400	54 100	TAFI 355020	TAF405020	NKI 35/20	NK40/20	NK40/20R + IR354020	NK40/20R	NKJ 35/20	NK40/20
<b>NKI 35/30</b>	192	<b>NK40/30</b>	125	<b>IR354030</b>	35	40	50	30	42 300	86 100	TAFI 355030	TAF405030	NKI 35/30	NK40/30	NK40/30R + IR354030	NK40/30R	NKJ 35/30	NK40/30
—	—	<b>NK42/20</b>	87	—	—	42	52	20	29 900	56 200	—	TAF425220	—	NK42/20	—	NK42/20R	—	NK42/20
—	—	<b>NK42/30</b>	130	—	—	42	52	30	43 000	89 500	—	TAF425230	—	NK42/30	—	NK42/30R	—	NK42/30
<b>NKI 38/20</b>	136	<b>NK43/20</b>	89	<b>IR384320</b>	38	43	53	20	30 500	58 100	TAFI 385320	TAF435320	NKI 38/20	NK43/20	NK43/20R + IR384320	NK43/20R	NKJ 38/20	NK43/20
<b>NKI 38/30</b>	205	<b>NK43/30</b>	133	<b>IR384330</b>	38	43	53	30	43 700	92 500	TAFI 385330	TAF435330	NKI 38/30	NK43/30	NK43/30R + IR384330	NK43/30R	NKJ 38/30	NK43/30
<b>NKI 40/20</b>	143	<b>NK45/20</b>	92	<b>IR404520</b>	40	45	55	20	31 100	60 100	TAFI 405520	TAF455520	NKI 40/20	NK45/20	NK45/20R + IR404520	NK45/20R	NKJ 40/20	NK45/20
<b>NKI 40/30</b>	215	<b>NK45/30</b>	138	<b>IR404530</b>	40	45	55	30	44 500	95 700	TAFI 405530	TAF455530	NKI 40/30	NK45/30	NK45/30R + IR404530	NK45/30R	NKJ 40/30	NK45/30
<b>NKI 42/20</b>	149	<b>NK47/20</b>	95	<b>IR424720</b>	42	47	57	20	31 500	62 300	TAFI 425720	TAF475720	NKI 42/20	NK47/20	NK47/20R + IR424720	NK47/20R	NKJ 42/20	NK47/20
<b>NKI 42/30</b>	225	<b>NK47/30</b>	144	<b>IR424730</b>	42	47	57	30	45 200	99 000	TAFI 425730	TAF475730	NKI 42/30	NK47/30	NK47/30R + IR424730	NK47/30R	NKJ 42/30	NK47/30
<b>NKI 45/25</b>	230	<b>NK50/25</b>	159	<b>IR455025</b>	45	50	62	25	43 000	85 200	TAFI 456225	TAF506225	NKI 45/25	NK50/25	NK50/25R + IR455025	NK50/25R	NKJ 45/25	NK50/25
<b>NKI 45/35</b>	320	<b>NK50/35</b>	225	<b>IR455035</b>	45	50	62	35	58 100	125 500	TAFI 456235	TAF506235	NKI 45/35	NK50/35	NK50/35R + IR455035	NK50/35R	NKJ 45/35	NK50/35
<b>NKI 50/25</b>	270	<b>NK55/25</b>	193	<b>IR505525</b>	50	55	68	25	45 400	94 100	TAFI 506825	TAF556825	NKI 50/25	NK55/25	NK55/25R + IR505525	NK55/25R	NKJ 50/25	NK55/25
<b>NKI 50/35</b>	365	<b>NK55/35</b>	255	<b>IR505535</b>	50	55	68	35	61 300	138 300	TAFI 506835	TAF556835	NKI 50/35	NK55/35	NK55/35R + IR505535	NK55/35R	NKJ 50/35	NK55/35
<b>NKI 55/25</b>	275	<b>NK60/25</b>	187	<b>IR556025</b>	55	60	72	25	47 500	103 000	TAFI 557225	TAF607225	NKI 55/25	NK60/25	NK60/25R + IR556025	NK60/25R	NKJ 55/25	NK60/25
<b>NKI 55/35</b>	380	<b>NK60/35</b>	260	<b>IR556035</b>	55	60	72	35	64 100	151 000	TAFI 557235	TAF607235	NKI 55/35	NK60/35	NK60/35R + IR556035	NK60/35R	NKJ 55/35	NK60/35

NK type of 10mm or less inscribed circle diameter (Fw) is without oil hole.  
NKI type of 8mm or less inscribed circle diameter (d) is without oil hole.



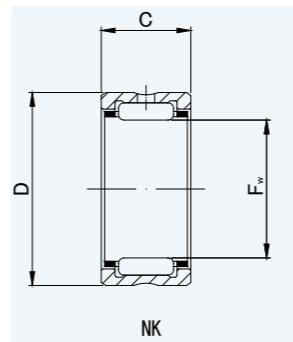
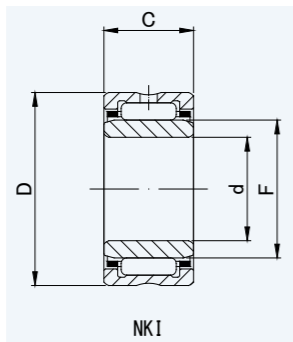
INTERCHANGE



INTERCHANGE

# MACHINED RING NEEDLE ROLLER BEARINGS WITH INNER RING WITHOUT INNER RING

NK, NKI



## NK, NKI

DIMENSION TABLE

INTERCHANGE TABLE

JNS NUMBER WITH INNER RING	Mass (Approx.)	JNS NUMBER WITHOUT INNER RING	Mass (Approx.)	JNS NUMBER Assembled INNER RING	Dimensions(mm)				Basic dynamic load rating	Basic static load rating	IKO		INA		NTN		TORRINGTON(KOYO)	
					d	Fw (F)	D	C			Cr N	Cor N	WITH INNER RING	WITHOUT INNER RING	WITH INNER RING	WITHOUT INNER RING	WITH INNER RING	WITHOUT INNER RING
NKI	g	NK	g	IR	d	Fw (F)	D	C	Cr N	Cor N	TAFI	TAF	NKI	NK	NK+IR	NK	NKJ	NK
—	—	<b>NK65/25</b>	225	—	—	65	78	25	49 600	111 800	—	TAF657825	—	NK65/25	—	NK65/25R	—	NK65/25
—	—	<b>NK65/35</b>	315	—	—	65	78	35	67 000	164 800	—	TAF657835	—	NK65/35	—	NK65/35R	—	NK65/35
<b>NKI 60/25</b>	395	<b>NK68/25</b>	250	<b>IR606825</b>	60	68	82	25	54 800	116 700	TAFI 608225	TAF688225	NKI 60/25	NK68/25	NK68/25R + IR606825	NK68/25R	NKJ 60/25	NK68/25
<b>NKI 60/35</b>	560	<b>NK68/35</b>	350	<b>IR606835</b>	60	68	82	35	72 100	165 700	TAFI 608235	TAF688235	NKI 60/35	NK68/35	NK68/35R + IR606835	NK68/35R	NKJ 60/35	NK68/35
—	—	<b>NK70/25</b>	280	—	—	70	85	25	55 500	120 600	—	TAF708525	—	NK70/25	—	NK70/25R	—	NK70/25
—	—	<b>NK70/35</b>	395	—	—	70	85	35	73 000	170 600	—	TAF708535	—	NK70/35	—	NK70/35R	—	NK70/35
—	—	<b>NK73/25</b>	335	—	—	73	90	25	61 100	126 500	—	TAF739025	—	NK73/25	—	NK73/25R	—	NK73/25
<b>NKI 65/35</b>	710	<b>NK73/35</b>	475	<b>IR657335</b>	65	73	90	35	80 400	180 400	TAFI 659035	TAF739035	NKI 65/35	NK73/35	NK73/35R + IR657335	NK73/35R	NKJ 65/35	NK73/35
—	—	<b>NK75/25</b>	345	—	—	75	92	25	62 200	130 400	—	TAF759225	—	NK75/25	—	NK75/25R	—	NK75/25
—	—	<b>NK75/35</b>	485	—	—	75	92	35	82 700	186 300	—	TAF759235	—	NK75/35	—	NK75/35R	—	NK75/35
<b>NKI 70/25</b>	540	<b>NK80/25</b>	315	<b>IR708025</b>	70	80	95	25	59 400	137 300	TAFI 709525	TAF809525	NKI 70/25	NK80/25	NK80/25R + IR708025	NK80/25R	NKJ 70/25	NK80/25
<b>NKI 70/35</b>	755	<b>NK80/35</b>	445	<b>IR708035</b>	70	80	95	35	78 100	194 200	TAFI 709535	TAF809535	NKI 70/35	NK80/35	NK80/35R + IR708035	NK80/35R	NKJ 70/35	NK80/35
<b>NKI 75/25</b>	675	<b>NK85/25</b>	435	<b>IR758525</b>	75	85	105	25	76 400	145 100	TAFI 7510525	TAF8510525	NKI 75/25	NK85/25	NK85/25R + IR758525	NK85/25R	NKJ 75/25	NK85/25
<b>NKI 75/35</b>	945	<b>NK85/35</b>	610	<b>IR758535</b>	75	85	105	35	102 000	209 900	TAFI 7510535	TAF8510535	NKI 75/35	NK85/35	NK85/35R + IR758535	NK85/35R	NKJ 75/35	NK85/35
<b>NKI 80/25</b>	710	<b>NK90/25</b>	456	<b>IR809025</b>	80	90	110	25	77 400	150 000	TAFI 8011025	TAF9011025	NKI 80/25	NK90/25	NK90/25R + IR809025	NK90/25R	NKJ 80/25	NK90/25
<b>NKI 80/35</b>	995	<b>NK90/35</b>	640	<b>IR809035</b>	80	90	110	35	103 000	216 700	TAFI 8011035	TAF9011035	NKI 80/35	NK90/35	NK90/35R + IR809035	NK90/35R	NKJ 80/35	NK90/35
<b>NKI 85/26</b>	775	<b>NK95/26</b>	495	<b>IR859526</b>	85	95	115	26	79 700	158 900	TAFI 8511526	TAF9511526	NKI 85/26	NK95/26	NK95/26R + IR859526	NK95/26R	NKJ 85/26	NK95/26
<b>NKI 85/36</b>	1 080	<b>NK95/36</b>	690	<b>IR859536</b>	85	95	115	36	106 900	230 500	TAFI 8511536	TAF9511536	NKI 85/36	NK95/36	NK95/36R + IR859536	NK95/36R	NKJ 85/36	NK95/36
<b>NKI 90/26</b>	820	<b>NK100/26</b>	525	<b>IR9010026</b>	90	100	120	26	82 500	168 700	TAFI 9012026	TAF10012026	NKI 90/26	NK100/26	NK100/26R + IR9010026	NK100/26R	NKJ 90/26	NK100/26
<b>NKI 90/36</b>	1 140	<b>NK100/36</b>	725	<b>IR9010036</b>	90	100	120	36	109 800	244 200	TAFI 9012036	TAF10012036	NKI 90/36	NK100/36	NK100/36R + IR9010036	NK100/36R	NKJ 90/36	NK100/36
<b>NKI 95/26</b>	860	<b>NK105/26</b>	545	<b>IR9510526</b>	95	105	125	26	84 700	177 500	TAFI 9512526	TAF10512526	NKI 95/26	NK105/26	NK105/26R + IR9510526	NK105/26R	NKJ 95/26	NK105/26
<b>NKI 95/36</b>	1 190	<b>NK105/36</b>	760	<b>IR9510536</b>	95	105	125	36	112 800	257 900	TAFI 9512536	TAF10512536	NKI 95/36	NK105/36	NK105/36R + IR9510536	NK105/36R	NKJ 95/36	NK105/36
<b>NKI 100/30</b>	1 040	<b>NK110/30</b>	660	<b>IR10011030</b>	100	110	130	30	105 900	239 300	TAFI 10013030	TAF11013030	NKI 100/30	NK110/30	NK110/30R + IR10011030	NK110/30R	NKJ 100/30	NK110/30
<b>NKI 100/40</b>	1 380	<b>NK110/40</b>	880	<b>IR10011040</b>	100	110	130	40	133 400	323 600	TAFI 10013040	TAF11013040	NKI 100/40	NK110/40	NK110/40R + IR10011040	NK110/40R	NKJ 100/40	NK110/40

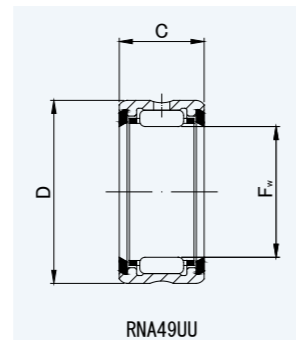
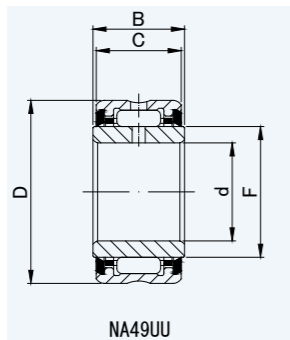
NK type of 10mm or less inscribed circle diameter (Fw) is without oil hole.  
NKI type of 8mm or less inscribed circle diameter (d) is without oil hole.

INTERCHANGE

INTERCHANGE



**MACHINED RING  
NEEDLE ROLLER  
BEARINGS**  
SEALED, WITH INNER RING  
SEALED, WITHOUT INNER RING



**NA49UU, RNA49UU**

**NA49UU, RNA49UU**

DIMENSION TABLE

INTERCHANGE TABLE

JNS NUMBER WITH INNER RING	Mass (Approx.)	JNS NUMBER WITHOUT INNER RING	Mass (Approx.)	JNS NUMBER Assembled INNER RING	Dimensions(mm)				Basic dynamic load rating	Basic static load rating	IKO		INA		NTN		TORRINGTON(KOYO)	
											WITH INNER RING	WITHOUT INNER RING	WITH INNER RING	WITHOUT INNER RING	WITH INNER RING	WITHOUT INNER RING	WITH INNER RING	WITHOUT INNER RING
NA 49UU	g	RNA 49UU	g	IRZ	d	Fw (F)	D	C	Cr N	Cor N	NA 49UU	RNA 49UU	NA 49.2RS	RNA 49.2RS	NA 49LL	RNA 49LL	NA 49.2RS	RNA 49.2RS
<b>NA 4900UU</b>	25	<b>RNA 4900UU</b>	16	<b>IRZ101414</b>	10	14	22	13	8 000	8 500	NA4900UU	RNA4900UU	NA4900.2RS	RNA4900.2RS	NA4900LL	RNA4900LL	NA4900.2RS	RNA4900.2RS
<b>NA 4901UU</b>	28	<b>RNA 4901UU</b>	18	<b>IRZ121614</b>	12	16	24	13	8 400	9 300	NA4901UU	RNA4901UU	NA4901.2RS	RNA4901.2RS	NA4901LL	RNA4901LL	NA4901.2RS	RNA4901.2RS
<b>NA 4902UU</b>	36	<b>RNA 4902UU</b>	22	<b>IRZ152014</b>	15	20	28	13	9 600	11 700	NA4902UU	RNA4902UU	NA4902.2RS	RNA4902.2RS	NA4902LL	RNA4902LL	NA4902.2RS	RNA4902.2RS
<b>NA 4903UU</b>	40	<b>RNA 4903UU</b>	23	<b>IRZ172214</b>	17	22	30	13	10 300	13 100	NA4903UU	RNA4903UU	NA4903.2RS	RNA4903.2RS	NA4903LL	RNA4903LL	NA4903.2RS	RNA4903.2RS
<b>NA 4904UU</b>	78	<b>RNA 4904UU</b>	55	<b>IRZ202518</b>	20	25	37	17	17 900	20 500	NA4904UU	RNA4904UU	NA4904.2RS	RNA4904.2RS	NA4904LL	RNA4904LL	NA4904.2RS	RNA4904.2RS
<b>NA 4905UU</b>	93	<b>RNA 4905UU</b>	63	<b>IRZ253018</b>	25	30	42	17	20 300	25 100	NA4905UU	RNA4905UU	NA4905.2RS	RNA4905.2RS	NA4905LL	RNA4905LL	NA4905.2RS	RNA4905.2RS
<b>NA 4906UU</b>	106	<b>RNA 4906UU</b>	71	<b>IRZ303518</b>	30	35	47	17	21 600	28 400	NA4906UU	RNA4906UU	NA4906.2RS	RNA4906.2RS	NA4906LL	RNA4906LL	NA4906.2RS	RNA4906.2RS
<b>NA 4907UU</b>	179	<b>RNA 4907UU</b>	110	<b>IRZ354221</b>	35	42	55	20	30 100	46 300	NA4907UU	RNA4907UU	NA4907.2RS	RNA4907.2RS	NA4907LL	RNA4907LL	NA4907.2RS	RNA4907.2RS
<b>NA 4908UU</b>	245	<b>RNA 4908UU</b>	150	<b>IRZ404823</b>	40	48	62	22	37 200	58 300	NA4908UU	RNA4908UU	NA4908.2RS	RNA4908.2RS	NA4908LL	RNA4908LL	NA4908.2RS	RNA4908.2RS
<b>NA 4909UU</b>	290	<b>RNA 4909UU</b>	190	<b>IRZ455223</b>	45	52	68	22	38 800	63 400	NA4909UU	RNA4909UU	NA4909.2RS	RNA4909.2RS	NA4909LL	RNA4909LL	NA4909.2RS	RNA4909.2RS
<b>NA 4910UU</b>	300	<b>RNA 4910UU</b>	180	<b>IRZ505823</b>	50	58	72	22	41 300	71 100	NA4910UU	RNA4910UU	NA4910.2RS	RNA4910.2RS	NA4910LL	RNA4910LL	NA4910.2RS	RNA4910.2RS

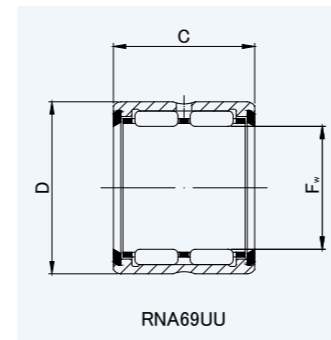
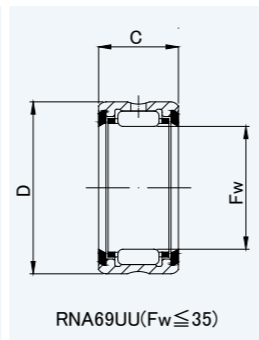
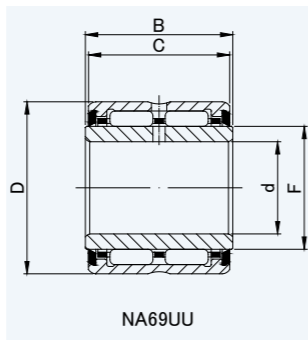
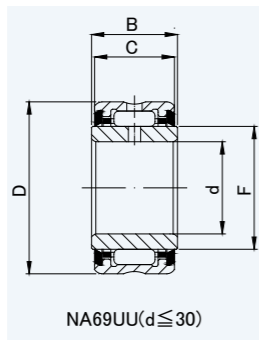


INTERCHANGE



INTERCHANGE

**MACHINED RING  
NEEDLE ROLLER  
BEARINGS**  
SEALED, WITH INNER RING  
SEALED, WITHOUT INNER RING



**NA69UU, RNA69UU**

**NA69UU, RNA69UU**

DIMENSION TABLE

INTERCHANGE TABLE

JNS NUMBER WITH INNER RING	Mass (Approx.)	JNS NUMBER WITHOUT INNER RING	Mass (Approx.)	JNS NUMBER Assembled INNER RING	Dimensions(mm)				Basic dynamic load rating	Basic static load rating	IKO		INA		NTN		TORRINGTON(KOYO)	
											WITH INNER RING	WITHOUT INNER RING	WITH INNER RING	WITHOUT INNER RING	WITH INNER RING	WITHOUT INNER RING	WITH INNER RING	WITHOUT INNER RING
NA 69UU	g	RNA 69UU	g	IRZ	d	Fw (F)	D	C	Cr N	Cor N	NA 69UU	RNA 69UU	—	—	—	—	—	—
<b>NA 6901UU</b>	46	<b>RNA 6901UU</b>	30	<b>IRZ121623</b>	12	16	24	22	15 600	20 400	NA6901UU	RNA6901UU	—	—	—	—	—	—
<b>NA 6902UU</b>	63	<b>RNA 6902UU</b>	38	<b>IRZ152024</b>	15	20	28	23	18 400	27 100	NA6902UU	RNA6902UU	—	—	—	—	—	—
<b>NA 6903UU</b>	69	<b>RNA 6903UU</b>	40	<b>IRZ172224</b>	17	22	30	23	19 800	30 600	NA6903UU	RNA6903UU	—	—	—	—	—	—
<b>NA 6904UU</b>	140	<b>RNA 6904UU</b>	96	<b>IRZ202531</b>	20	25	37	30	33 000	44 500	NA6904UU	RNA6904UU	—	—	—	—	—	—
<b>NA 6905UU</b>	162	<b>RNA 6905UU</b>	110	<b>IRZ253031</b>	25	30	42	30	39 200	58 600	NA6905UU	RNA6905UU	—	—	—	—	—	—
<b>NA 6906UU</b>	185	<b>RNA 6906UU</b>	130	<b>IRZ303531</b>	30	35	47	30	40 100	63 100	NA6906UU	RNA6906UU	—	—	—	—	—	—
<b>NA 6907UU</b>	320	<b>RNA 6907UU</b>	200	<b>IRZ354237</b>	35	42	55	36	51 600	92 600	NA6907UU	RNA6907UU	—	—	—	—	—	—
<b>NA 6908UU</b>	440	<b>RNA 6908UU</b>	270	<b>IRZ404841</b>	40	48	62	40	63 700	116 700	NA6908UU	RNA6908UU	—	—	—	—	—	—
<b>NA 6909UU</b>	510	<b>RNA 6909UU</b>	355	<b>IRZ455241</b>	45	52	68	40	66 700	126 500	NA6909UU	RNA6909UU	—	—	—	—	—	—
<b>NA 6910UU</b>	530	<b>RNA 6910UU</b>	320	<b>IRZ505841</b>	50	58	72	40	70 800	142 200	NA6910UU	RNA6910UU	—	—	—	—	—	—



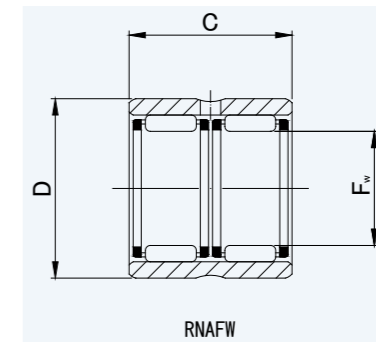
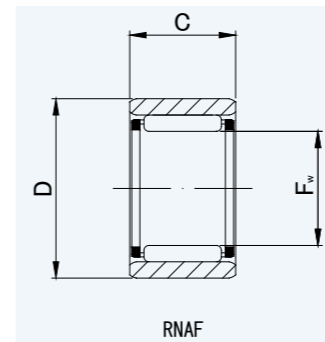
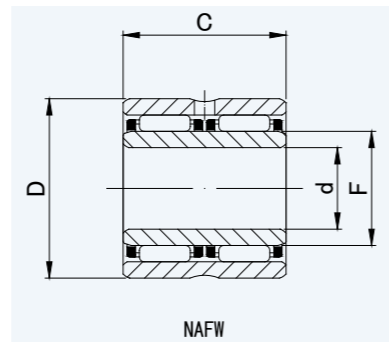
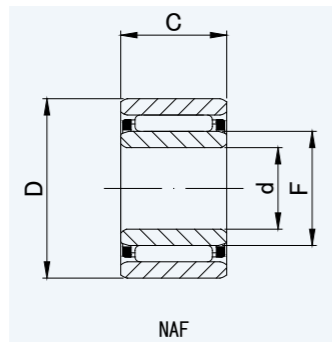
INTERCHANGE



INTERCHANGE

# MACHINED RING NEEDLE ROLLER BEARINGS

WITH INNER RING  
WITHOUT INNER RING



NAF, RNAF

## NAF, RNAF

DIMENSION TABLE

JNS NUMBER WITH INNER RING	Mass (Approx.)	JNS NUMBER WITHOUT INNER RING	Mass (Approx.)	JNS NUMBER Assembled INNER RING	Dimensions(mm)				Basic dynamic load rating	Basic static load rating	INA		IKO		NTN		TORRINGTON(KOYO)	
					d	Fw (F)	D	C			Cr N	Cor N	WITH INNER RING	WITHOUT INNER RING	WITH INNER RING	WITHOUT INNER RING	WITH INNER RING	WITHOUT INNER RING
NAF(W)	g	RNAF(W)	g	IR							NAO	RNAO	NAF(W)	RNAF(W)	NAO	RNAO	NAO	RNAO
—	—	<b>RNAF5108</b>	3	—	—	5	10	8	2 500	2 000	—	RNAO5X10X8 TN	—	RNAF5108N	—	RNAO-5X10X8 T2	—	—
—	—	<b>RNAF6138</b>	5.5	—	—	6	13	8	2 500	2 100	—	RNAO6X13X8 TN	—	RNAF6138N	—	RNAO-6X13X8 T2	—	RNAO6X13X8 TN
—	—	<b>RNAF7148</b>	6	—	—	7	14	8	2 900	2 600	—	RNAO7X14X8 TN	—	RNAF7148N	—	RNAO-7X14X8 T2	—	RNAO7X14X8 TN
—	—	<b>RNAF81510</b>	8	—	—	8	15	10	3 600	3 600	—	RNAO8X15X10 TN	—	RNAF81510	—	RNAO-8X15X10 T2	—	RNAO8X15X10
—	—	<b>RNAFW81620</b>	20	—	—	8	16	20	6 200	7 200	—	—	—	RNAFW81620	—	RNAO-8X16X20ZW T2	—	—
<b>NAF61710</b>	14	<b>RNAF101710</b>	10	<b>IR61010</b>	6	10	17	10	4 100	4 500	NAO6X17X10 TN	RNAO10X17X10 TN	NAF61710	RNAF101710	NAO-6X17X10 T2	RNAO-10X17X10 T2	NAO6X17X10	RNAO10X17X10
<b>NAF72012</b>	23	<b>RNAF102012</b>	19	<b>IR71012</b>	7	10	20	12	6 000	6 000	—	—	NAF72012	RNAF102012	NAO-7X20X12	RNAO-10X20X12	—	—
<b>NAF92212</b>	24	<b>RNAF122212</b>	19	<b>IR91212</b>	9	12	22	12	9 000	8 400	NAO9X22X12 TN	RNAO12X22X12 TN	NAF92212	RNAF122212	NAO-9X22X12	RNAO-12X22X12	—	—
<b>NAF102213</b>	26	<b>RNAF142213</b>	18	<b>IR101413</b>	10	14	22	13	7 800	9 400	—	—	NAF102213	RNAF142213	NAO-10X22X13	RNAO-14X22X13	NAO10X22X13	RNAO14X22X13
<b>NAFW102220</b>	40	<b>RNAFW142220</b>	28	<b>IR101420</b>	10	14	22	20	10 800	14 200	—	—	NAFW102220	RNAFW142220	NAO-10X22X20 ZW	RNAO-14X22X20ZW	NAO10X22X20	RNAO14X22X20
<b>NAF102612</b>	36	<b>RNAF142612</b>	29	<b>IR101412</b>	10	14	26	12	9 800	9 700	—	—	NAF102612	RNAF142612	NAO-10X26X12	RNAO-14X26X12	NAO10X26X12	RNAO14X26X12
—	—	<b>RNAF152313</b>	20	—	—	15	23	13	8 200	10 200	—	RNAO15X23X13	—	RNAF152313	—	RNAO-15X23X13	—	RNAO15X23X13
—	—	<b>RNAFW152320</b>	31	—	—	15	23	20	11 400	15 400	—	—	—	RNAFW152320	—	RNAO-15X23X20ZW	—	RNAO15X23X20
<b>NAF122413</b>	30	<b>RNAF162413</b>	21	<b>IR121613</b>	12	16	24	13	8 600	11 000	NAO12X24X13	RNAO16X24X13	NAF122413	RNAF162413	NAO-12X24X13	RNAO-16X24X13	NAO12X24X13	RNAO16X24X13
<b>NAFW122420</b>	45	<b>RNAFW162420</b>	32	<b>IR121620</b>	12	16	24	20	11 900	16 700	NAO12X24X20	RNAO16X24X20	NAFW122420	RNAFW162420	NAO-12X24X20 ZW	RNAO-16X24X20ZW	NAO12X24X20	RNAO16X24X20
<b>NAF122812</b>	40	<b>RNAF162812</b>	32	<b>IR121612</b>	12	16	28	12	10 500	10 900	NAO12X28X12	RNAO16X28X12	NAF122812	RNAF162812	NAO-12X28X12	RNAO-16X28X12	NAO12X28X12	RNAO16X28X12
—	—	<b>RNAF172513</b>	22	—	—	17	25	13	9 000	11 900	—	RNAO17X25X13	—	RNAF172513	—	RNAO-17X25X13	—	RNAO17X25X13
—	—	<b>RNAFW172520</b>	33	—	—	17	25	20	12 400	17 900	—	—	—	RNAFW172520	—	RNAO-17X25X20ZW	—	RNAO17X25X20
—	—	<b>RNAF182613</b>	23	—	—	18	26	13	9 300	12 700	—	—	—	RNAF182613	—	RNAO-18X26X13	—	RNAO18X26X13
—	—	<b>RNAFW182620</b>	35	—	—	18	26	20	12 800	19 100	—	—	—	RNAFW182620	—	RNAO-18X26X20ZW	—	RNAO18X26X20
—	—	<b>RNAF183012</b>	35	—	—	18	30	12	11 800	13 000	—	—	—	RNAF183012	—	RNAO-18X30X12	—	—
—	—	<b>RNAFW183024</b>	70	—	—	18	30	24	20 200	26 200	—	RNAO18X30X24	—	RNAFW183024	—	RNAO-18X30X24ZW	—	RNAO18X30X24
<b>NAF152813</b>	37	<b>RNAF202813</b>	25	<b>IR152013</b>	15	20	28	13	9 600	13 500	NAO15X28X13	RNAO20X28X13	NAF152813	RNAF202813	NAO-15X28X13	RNAO-20X28X13	NAO15X28X13	RNAO20X28X13
<b>NAFW152826</b>	76	<b>RNAFW202826</b>	50	<b>IR152026</b>	15	20	28	26	16 500	27 100	—	RNAO20X28X26	NAFW152826	RNAFW202826	NAO-15X28X26 ZW	RNAO-20X28X26ZW	NAO15X28X26	RNAO20X28X26
<b>NAF153212</b>	51	<b>RNAF203212</b>	37	<b>IR152012</b>	15	20	32	12	12 400	14 300	NAO15X32X12	RNAO20X32X12	NAF153212	RNAF203212	NAO-15X32X12	RNAO-20X32X12	NAO15X32X12	RNAO20X32X12
—	—	<b>RNAFW203224</b>	75	—	—	20	32	24	21 200	28 600	—	—	—	RNAFW203224	—	RNAO-20X32X24ZW	—	RNAO20X32X24
<b>NAF173013</b>	43	<b>RNAF223013</b>	27	<b>IR172213</b>	17	22	30	13	10 200	15 200	NAO17X30X13	RNAO22X30X13	NAF173013	RNAF223013	NAO-17X30X13	RNAO-22X30X13	NAO17X30X13	RNAO22X30X13
<b>NAFW173026</b>	85	<b>RNAFW223026</b>	54	<b>IR172226</b>	17	22	30	26	17 600	30 300	—	—	NAFW173026	RNAFW223026	NAO-17X30X26 ZW	RNAO-22X30X26ZW	NAO17X30X26	RNAO22X30X26
<b>NAF173516</b>	77	<b>RNAF223516</b>	59	<b>IR172216</b>	17	22	35	16	17 600	20 900	NAO17X35X16	RNAO22X35X16	NAF173516	RNAF223516	NAO-17X35X16	RNAO-22X35X16	NAO17X35X16	RNAO22X35X16
<b>NAFW173532</b>	155	<b>RNAFW223532</b>	117	<b>IR172232</b>	17	22	35	32	30 200	41 900	—	—	NAFW173532	RNAFW223532	NAO-17X35X32 ZW	RNAO-22X35X32ZW	NAO17X35X32	RNAO22X35X32
<b>NAF203517</b>	75	<b>RNAF253517</b>	51	<b>IR202517</b>	20	25	35	17	17 300	26 600	NAO20X35X17	RNAO25X35X17	NAF203517	RNAF253517	NAO-20X35X17	RNAO-25X35X17	NAO20X35X17	RNAO25X35X17
<b>NAFW203526</b>	114	<b>RNAFW253526</b>	78	<b>IR202526</b>	20	25	35	26	22 500	37 200	—	RNAO25X35X26	NAFW203526	RNAFW253526	NAO-20X35X26 ZW	RNAO-25X35X26ZW	NAO20X35X26	RNAO25X35X26
<b>NAF203716</b>	80	<b>RNAF253716</b>	57	<b>IR202516</b>	20	25	37	16	19 400	24 500	NAO20X37X16	RNAO25X37X16	NAF203716	RNAF253716	NAO-20X37X16	RNAO-25X37X16	NAO20X37X16	RNAO25X37X16
<b>NAFW203732</b>	158	<b>RNAFW253732</b>	114	<b>IR202532</b>	20	25	37	32	33 200	49 000	—	RNAO25X37X32	NAFW203732	RNAFW253732	NAO-20X37X32 ZW	RNAO-25X37X32ZW	NAO20X37X32	RNAO25X37X32
—	—	<b>RNAF284016</b>	63	—	—	28	40	16	20 100	26 500	—	—	—	RNAF284016	—	RNAO-28X40X16	—	RNAO28X40X16
—	—	<b>RNAFW284032</b>	125	—	—	28	40	32	34 400	53 000	—	—	—	RNAFW284032	—	RNAO-28X40X32ZW	—	RNAO28X40X32

INTERCHANGE TABLE



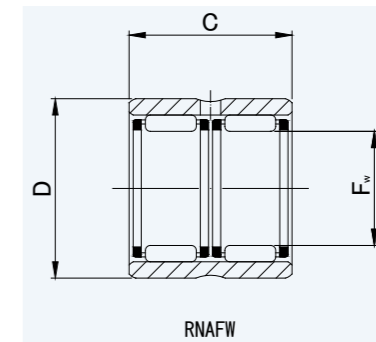
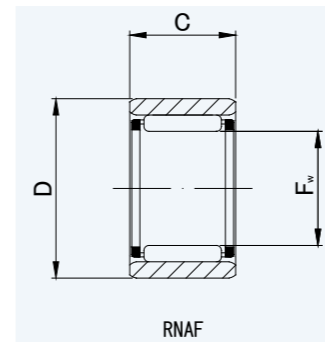
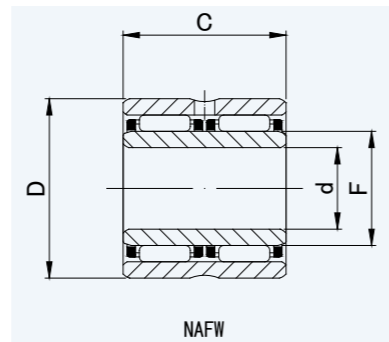
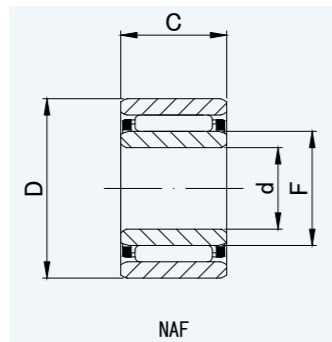
INTERCHANGE



INTERCHANGE



**MACHINED RING  
NEEDLE ROLLER  
BEARINGS**  
WITH INNER RING  
WITHOUT INNER RING



**NAF, RNAF**

**NAF, RNAF**

DIMENSION TABLE

INTERCHANGE TABLE

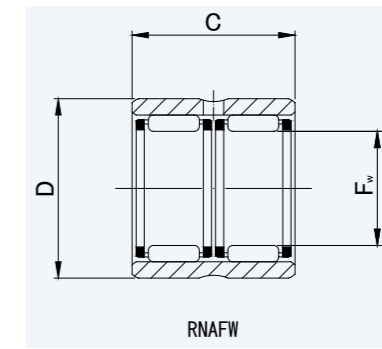
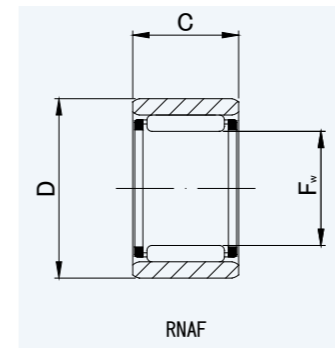
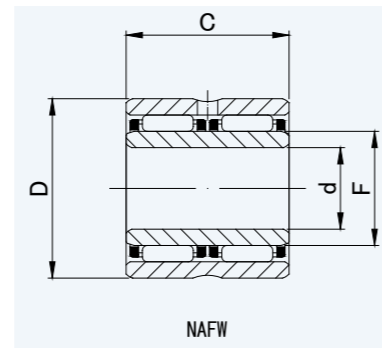
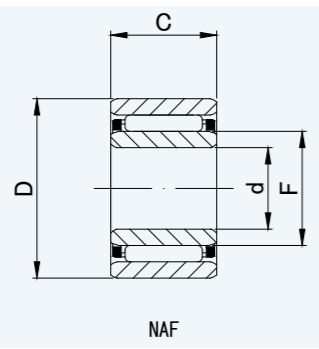
JNS NUMBER WITH INNER RING	Mass (Approx.)	JNS NUMBER WITHOUT INNER RING	Mass (Approx.)	JNS NUMBER Assembled INNER RING	Dimensions(mm)			Basic dynamic load rating	Basic static load rating	INA		IKO		NTN		TORRINGTON(KOYO)		
					d	Fw (F)	D			C	WITH INNER RING	WITHOUT INNER RING	WITH INNER RING	WITHOUT INNER RING	WITH INNER RING	WITHOUT INNER RING	WITH INNER RING	WITHOUT INNER RING
NAF(W)	g	RNAF(W)	g	IR				Cr N	Cor N	NAO	RNAO	NAF(W)	RNAF(W)	NAO	RNAO	NAO	RNAO	
NAF254017	88	RNAF304017	59	IR253017	25	30	40	17	18 600	31 100	NAO25X40X17	RNAO30X40X17	NAF254017	RNAF304017	NAO-25X40X17	RNAO-30X40X17	NAO25X40X17	RNAO30X40X17
NAFW254026	136	RNAFW304026	91	IR253026	25	30	40	26	24 200	43 400	—	RNAO30X40X26	NAFW254026	RNAFW304026	NAO-25X40X26 ZW	RNAO-30X40X26ZW	NAO25X40X26	RNAO30X40X26
NAF254216	94	RNAF304216	66	IR253016	25	30	42	16	20 800	28 300	NAO25X42X16	RNAO30X42X16	NAF254216	RNAF304216	NAO-25X42X16	RNAO-30X42X16	NAO25X42X16	RNAO30X42X16
NAFW254232	187	RNAFW304232	132	IR253032	25	30	42	32	35 700	56 800	NAO25X42X32	RNAO30X42X32	NAFW254232	RNAFW304232	NAO-25X42X32 ZW	RNAO-30X42X32ZW	NAO25X42X32	RNAO30X42X32
NAF304517	100	RNAF354517	68	IR303517	30	35	45	17	20 500	36 900	NAO30X45X17	RNAO35X45X17	NAF304517	RNAF354517	NAO-30X45X17	RNAO-35X45X17	NAO30X45X17	RNAO35X45X17
NAFW304526	155	RNAFW354526	103	IR303526	30	35	45	26	26 600	51 600	NAO30X45X26	RNAO35X45X26	NAFW304526	RNAFW354526	NAO-30X45X26 ZW	RNAO-35X45X26ZW	NAO30X45X26	RNAO35X45X26
NAF304716	108	RNAF354716	76	IR303516	30	35	47	16	23 000	33 800	NAO30X47X16	RNAO35X47X16	NAF304716	RNAF354716	NAO-30X47X16	RNAO-35X47X16	NAO30X47X16	RNAO35X47X16
NAFW304732	215	RNAFW354732	151	IR303532	30	35	47	32	39 500	67 800	—	RNAO35X47X32	NAFW304732	RNAFW354732	NAO-30X47X32 ZW	RNAO-35X47X32ZW	NAO30X47X32	RNAO35X47X32
NAF355017	115	RNAF405017	75	IR354017	35	40	50	17	22 200	42 700	NAO35X50X17	RNAO40X50X17	NAF355017	RNAF405017	NAO-35X50X17	RNAO-40X50X17	NAO35X50X17	RNAO40X50X17
NAFW355034	230	RNAFW405034	152	IR354034	35	40	50	34	38 000	85 300	—	RNAO40X50X34	NAFW355034	RNAFW405034	NAO-35X50X34 ZW	RNAO-40X50X34ZW	NAO35X50X34	RNAO40X50X34
NAF355520	188	RNAF405520	142	IR354020	35	40	55	20	31 500	48 000	NAO35X55X20	RNAO40X55X20	NAF355520	RNAF405520	NAO-35X55X20	RNAO-40X55X20	NAO35X55X20	RNAO40X55X20
NAFW355540	375	RNAFW405540	280	IR354040	35	40	55	40	53 900	96 000	—	RNAO40X55X40	NAFW355540	RNAFW405540	NAO-35X55X40 ZW	RNAO-40X55X40ZW	NAO35X55X40	RNAO40X55X40
NAF405517	129	RNAF455517	84	IR404517	40	45	55	17	23 200	47 200	NAO40X55X17	RNAO45X55X17	NAF405517	RNAF455517	NAO-40X55X17	RNAO-45X55X17	NAO40X55X17	RNAO45X55X17
NAFW405534	255	RNAFW455534	167	IR404534	40	45	55	34	39 900	94 200	—	—	NAFW405534	RNAFW455534	NAO-40X55X34 ZW	RNAO-45X55X34ZW	NAO40X55X34	RNAO45X55X34
NAF406220	236	RNAF456220	185	IR404520	40	45	62	20	33 200	53 300	—	—	NAF406220	RNAF456220	NAO-40X62X20	RNAO-45X62X20	NAO40X62X20	RNAO45X62X20
NAFW406240	475	RNAFW456240	370	IR404540	40	45	62	40	57 000	106 900	—	RNAO45X62X40	NAFW406240	RNAFW456240	NAO-40X62X40 ZW	RNAO-45X62X40ZW	NAO40X62X40	RNAO45X62X40
NAF456220	197	RNAF506220	139	IR455020	45	50	62	20	27 100	59 300	—	RNAO50X62X20	NAF456220	RNAF506220	NAO-45X62X20	RNAO-50X62X20	NAO45X62X20	RNAO50X62X20
NAFW456240	389	RNAFW506240	276	IR455040	45	50	62	40	46 400	118 700	—	—	NAFW456240	RNAFW506240	NAO-45X62X40 ZW	RNAO-50X62X40ZW	NAO45X62X40	RNAO50X62X40
—	—	RNAF506520	170	—	—	50	65	20	35 900	61 100	—	RNAO50X65X20	—	RNAF506520	—	RNAO-50X65X20	—	RNAO50X65X20
—	—	RNAFW506540	345	—	—	50	65	40	61 500	122 600	—	RNAO50X65X40	—	RNAFW506540	—	RNAO-50X65X40ZW	—	RNAO50X65X40
NAF506820	230	RNAF556820	167	IR505520	50	55	68	20	28 500	66 000	NAO50X68X20	RNAO55X68X20	NAF506820	RNAF556820	NAO-50X68X20	RNAO-55X68X20	NAO50X68X20	RNAO55X68X20
NAFW506840	465	RNAFW556840	330	IR505540	50	55	68	40	48 900	132 400	—	—	NAFW506840	RNAFW556840	NAO-50X68X40 ZW	RNAO-55X68X40ZW	NAO50X68X40	RNAO55X68X40
NAF457220	340	RNAF557220	215	IR455520	45	55	72	20	37 400	66 400	—	—	NAF457220	RNAF557220	NAO-45X72X20	RNAO-55X72X20	NAO45X72X20	RNAO55X72X20
NAFW457240	685	RNAFW557240	435	IR455540	45	55	72	40	64 100	132 400	—	—	NAFW457240	RNAFW557240	NAO-45X72X40 ZW	RNAO-55X72X40ZW	NAO45X72X40	RNAO55X72X40
NAF507820	390	RNAF607820	255	IR506020	50	60	78	20	38 900	71 700	NAO50X78X20	RNAO60X78X20	NAF507820	RNAF607820	NAO-50X78X20	RNAO-60X78X20	NAO50X78X20	RNAO60X78X20
NAFW507840	775	RNAFW607840	510	IR506040	50	60	78	40	66 700	143 200	—	RNAO60X78X40	NAFW507840	RNAFW607840	NAO-50X78X40 ZW	RNAO-60X78X40ZW	NAO50X78X40	RNAO60X78X40
NAF558530	680	RNAF658530	465	IR556530	55	65	85	30	59 300	127 500	—	RNAO65X85X30	NAF558530	RNAF658530	NAO-55X85X30	RNAO-65X85X30	NAO55X85X30	RNAO65X85X30
NAFW558560	1 380	RNAFW658560	950	IR556560	55	65	85	60	102 000	254 000	—	—	NAFW558560	RNAFW658560	NAO-55X85X60 ZW	RNAO-65X85X60ZW	NAO55X85X60	RNAO65X85X60
NAF609030	740	RNAF709030	500	IR607030	60	70	90	30	61 200	135 300	—	RNAO70X90X30	NAF609030	RNAF709030	NAO-60X90X30	RNAO-70X90X30	NAO60X90X30	RNAO70X90X30
NAFW609060	1 470	RNAFW709060	1 000	IR607060	60	70	90	60	104 900	271 600	—	—	NAFW609060	RNAFW709060	NAO-60X90X60 ZW	RNAO-70X90X60ZW	NAO60X90X60	RNAO70X90X60
NAF659530	800	RNAF759530	530	IR657530	65	75	95	30	63 200	144 200	—	—	NAF659530	RNAF759530	NAO-65X95X30	RNAO-75X95X30	NAO65X95X30	RNAO75X95X30
NAFW659560	1 570	RNAFW759560	1 050	IR657560	65	75	95	60	108 900	289 300	—	—	NAFW659560	RNAFW759560	NAO-65X95X60 ZW	RNAO-75X95X60ZW	NAO65X95X60	RNAO75X95X60
NAF7010030	840	RNAF8010030	560	IR708030	70	80	100	30	64 900	153 000	NAO70X100X30	RNAO80X100X30	NAF7010030	RNAF8010030	NAO-70X100X30	RNAO-80X100X30	NAO70X100X30	RNAO80X100X30
NAFW7010060	1 670	RNAFW8010060	1 120	IR708060	70	80	100	60	111 800	306 000	—	—	NAFW7010060	RNAFW8010060	NAO-70X100X60 ZW	RNAO-80X100X60ZW	NAO70X100X60	RNAO80X100X60
NAF7510530	890	RNAF8510530	590	IR758530	75	85	105	30	66 600	160 800	—	—	NAF7510530	RNAF8510530	NAO-75X105X30	RNAO-85X105X30	—	RNAO85X105X30

INTERCHANGE

INTERCHANGE



**MACHINED RING  
NEEDLE ROLLER  
BEARINGS**  
WITH INNER RING  
WITHOUT INNER RING



**NAF, RNAF**

**NAF, RNAF**

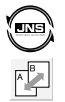
DIMENSION TABLE

INTERCHANGE TABLE

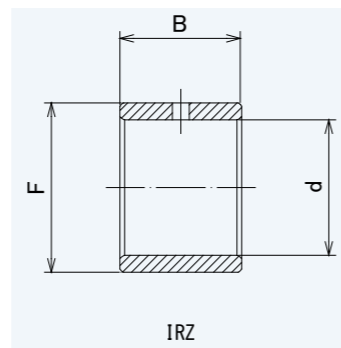
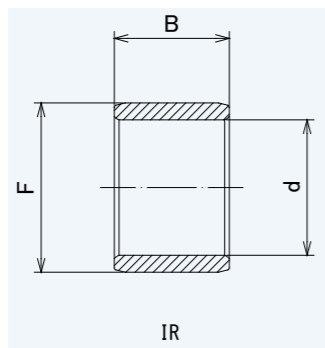
JNS NUMBER WITH INNER RING	Mass (Approx.)	JNS NUMBER WITHOUT INNER RING	Mass (Approx.)	JNS NUMBER Assembled INNER RING	Dimensions(mm)				Basic dynamic load rating	Basic static load rating	INA		IKO		NTN		TORRINGTON(KOYO)	
					d	Fw (F)	D	C			WITH INNER RING	WITHOUT INNER RING	WITH INNER RING	WITHOUT INNER RING	WITH INNER RING	WITHOUT INNER RING	WITH INNER RING	WITHOUT INNER RING
NAF(W)	g	RNAF(W)	g	IR	d	Fw (F)	D	C	Cr N	Cor N	NAO	RNAO	NAF(W)	RNAF(W)	NAO	RNAO	NAO	RNAO
<b>NAF8011030</b>	930	<b>RNAF9011030</b>	620	<b>IR809030</b>	80	90	110	30	69 500	173 600	NAO80X110X30	RNAO90X110X30	NAF8011030	RNAF9011030	NAO-80X110X30	RNAO-90X110X30	NAO80X110X30	—
<b>NAF8511530</b>	970	<b>RNAF9511530</b>	650	<b>IR859530</b>	85	95	115	30	70 900	182 400	—	—	NAF8511530	RNAF9511530	NAO-85X115X30	RNAO-95X115X30	NAO85X115X30	—
<b>NAF9012030</b>	1 040	<b>RNAF10012030</b>	690	<b>IR9010030</b>	90	100	120	30	72 600	191 200	NAO90X120X30	RNAO100X120X30	NAF9012030	RNAF10012030	NAO-90X120X30	RNAO-100X120X30	NAO90X120X30	RNAO100X120X30



INTERCHANGE



INTERCHANGE

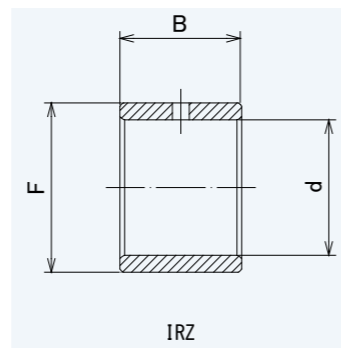
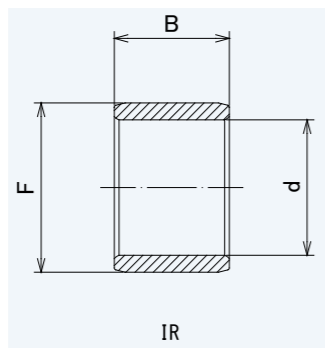


## IR, IRZ

DIMENSION TABLE

INTERCHANGE TABLE

JNS NUMBER INNER RING	Mass (Approx.) g	Dimensions(mm)			JNS USABLE BEARING NUMBER		IKO	INA	NTN	TORRINGTON(KOYO)
		d	F	B			LRT / IRT LRTZ	IR	IR	JR JRZ
IR 5812	3	5	8	12	NK 8/12	—	LRT5812	IR5X8X12	IR5X8X12	JR5X8X12
IR 5816	4	5	8	16	NK 8/16	—	LRT5816	IR5X8X16	IR5X8X16	JR5X8X16
IR 6810	1.7	6	8	10	RNA 496	—	LRT6810	IR6X8X10	IR6X8X10	—
IR 6912	3.2	6	9	12	NK 9/12	—	LRT6912	IR6X9X12	IR6X9X12	JR6X9X12
IR 6916	4.3	6	9	16	NK 9/16	—	LRT6916	IR6X9X16	IR6X9X16	JR6X9X16
IR 61010	4	6	10	10	RNAF 101710	—	LRT61010	IR6X10X10	IR6X10X10	JR6X10X10
IR 7910	1.9	7	9	10	RNA 497	—	LRT7910	IR7X9X10	IR7X9X10	—
IR 71010.5	3.2	7	10	10.5	—	—	IRT710	IR7X10X10.5	IR7X10X10.5	JR7X10X10.5
IR 71012	3.6	7	10	12	NK 10/12	RNAF 102012	LRT71012	IR7X10X12	IR7X10X12	JR7X10X12
IR 71012.5	3.9	7	10	12.5	—	—	IRT712	—	—	—
IR 71015.5	4.8	7	10	15.5	—	—	IRT715	—	—	—
IR 71016	5	7	10	16	NK 10/16	—	LRT71016	IR7X10X16	IR7X10X16	JR7X10X16
IR 81011	2.4	8	10	11	RNA 498	—	LRT81011	IR8X10X11	IR8X10X11	—
IR 81210	4.8	8	12	10	—	—	—	IR8X12X10	IR8X12X10	JR8X12X10
IR 81210.5	5.1	8	12	10.5	—	—	IRT810	IR8X12X10.5	IR8X12X10.5	JR8X12X10.5
IR 81212.5	6	8	12	12.5	—	—	IRT812	IR8X12X12.5	IR8X12X12.5	JR8X12X12.5
IR 81215.5	7.5	8	12	15.5	—	—	IRT815	—	—	—
IR 91211	3.1	9	12	11	RNA 499	—	LRT91211	IR9X12X11	IR9X12X11	—
IR 91212	4.5	9	12	12	NK 12/12	RNAF 122212	LRT91212	IR9X12X12	IR9X12X12	JR9X12X12
IR 91216	6	9	12	16	NK 12/16	—	LRT91216	IR9X12X16	IR9X12X16	JR9X12X16
IR 101312.5	5.2	10	13	12.5	—	—	IRT1012	IR10X13X12.5	IR10X13X12.5	JR10X13X12.5
IR 101412	7	10	14	12	RNAF 142612	—	LRT101412	IR10X14X12	IR10X14X12	JR10X14X12
IR 101412.5	7.2	10	14	12.5	—	—	IRT1012-2	—	—	—
IR 101413	7.5	10	14	13	RNA 4900	RNAF 142213	LRT101413	IR10X14X13	IR10X14X13	JR10X14X13
IRZ 101414	8	10	14	14	RNA 4900UU	—	LRTZ101414	IR10X14X14	IR10X14X14D	JRZ10X14X14J51
IR 101416	9	10	14	16	NK 14/16	—	LRT101416	IR10X14X16	IR10X14X16	JR10X14X16
IR 101416.5	9.6	10	14	16.5	—	—	IRT1016-2	—	—	—
IR 101420	11.5	10	14	20	NK 14/20	RNAFW 142220	LRT101420	IR10X14X20	IR10X14X20	JR10X14X20
IR 101420.5	11.9	10	14	20.5	—	—	IRT1020-2	—	—	—
IR 101510.5	7.9	10	15	10.5	—	—	IRT1010-1	—	—	—
IR 101515.5	11.7	10	15	15.5	—	—	IRT1015-1	—	IR10X15X15.5	—
IR 101520.5	15.5	10	15	20.5	—	—	IRT1020-1	—	IR10X15X20.5	—
IR 101525.5	19.3	10	15	25.5	—	—	IRT1025-1	—	—	—
IR 121512.5	6.1	12	15	12.5	—	—	IRT1212	IR12X15X12.5	IR12X15X12.5	—
IR 121516	7.8	12	15	16	—	—	—	IR12X15X16	IR12X15X16	—
IR 121516.5	8.1	12	15	16.5	—	—	LRT121516	—	—	JR12X15X16.5
IR 121522.5	11	12	15	22.5	—	—	IRT1222	IR12X15X22.5	—	JR12X15X22.5

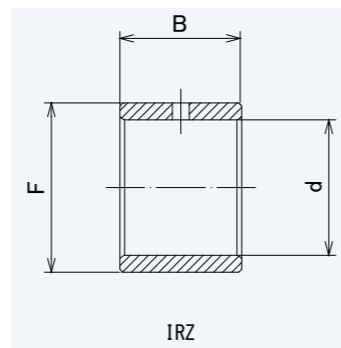
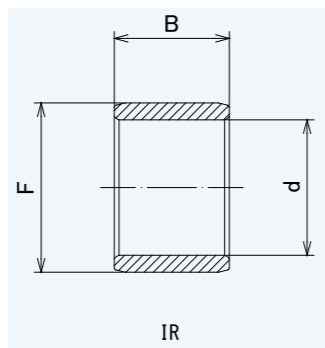


## IR, IRZ

DIMENSION TABLE

INTERCHANGE TABLE

JNS NUMBER INNER RING	Mass (Approx.) g	Dimensions(mm)			JNS USABLE BEARING NUMBER		IKO	INA	NTN	TORRINGTON(KOYO)
		d	F	B			LRT / IRT LRTZ	IR	IR	JR JRZ
IR 121612	8	12	16	12	RNAF 162812	—	LRT121612	IR12X16X12	IR12X16X12	JR12X16X12
IR 121612.5	8.5	12	16	12.5	—	—	IRT1212-1	—	—	—
IR 121613	8.5	12	16	13	RNA 4901	RNAF 162413	LRT121613	IR12X16X13	IR12X16X13	JR12X16X13
IRZ 121614	9.6	12	16	14	RNA 4901UU	—	LRTZ121614	IR12X16X14	IR12X16X14D	JRZ12X16X14JS1
IR 121616	10.5	12	16	16	NK 16/16	—	LRT121616	IR12X16X16	IR12X16X16	JR12X16X16
IR 121616.5	11.2	12	16	16.5	—	—	IRT1216-1	—	—	—
IR 121620	13.5	12	16	20	NK 16/20	RNAFW 162420	LRT121620	IR12X16X20	IR12X16X20	JR12X16X20
IR 121620.5	13.9	12	16	20.5	—	—	IRT1220-1	—	—	—
IR 121622	14.5	12	16	22	RNA 6901	—	LRT121622	IR12X16X22	IR12X16X22	JR12X16X22
IR 121622.5	15.2	12	16	22.5	—	—	IRT1222-1	—	—	—
IRZ 121623	15.5	12	16	23	RNA 6901UU	—	LRTZ121623	—	—	—
IR 121715.5	13.6	12	17	15.5	—	—	IRT1215-2	—	—	—
IR 121720.5	18	12	17	20.5	—	—	IRT1220-2	—	IR12X17X20.5	—
IR 141717	9.5	14	17	17	—	—	LRT141717	IR14X17X17	IR14X17X17	—
IR 151812.5	7.5	15	18	12.5	—	—	IRT1512	IR15X18X12.5	IR15X18X12.5	—
IR 151815.5	9.3	15	18	15.5	—	—	IRT1515	—	—	—
IR 151816.5	9.9	15	18	16.5	—	—	IRT1516	IR15X18X16.5	IR15X18X16.5	JR15X18X16.5
IR 151820.5	12.3	15	18	20.5	—	—	IRT1520	—	IR15X18X20.5	—
IR 151825.5	15.2	15	18	25.5	—	—	IRT1525	—	IR15X18X25.5	—
IR 151916	12.5	15	19	16	NK 19/16	—	LRT151916	IR15X19X16	IR15X19X16	JR15X19X16
IR 151916.5	13.6	15	19	16.5	—	—	IRT1516-1	—	—	—
IR 151920	16	15	19	20	NK 19/20	—	LRT151920	IR15X19X20	IR15X19X20	JR15X19X20
IR 151920.5	12.3	15	19	20.5	—	—	IRT1520-1	—	—	—
IR 152012	12	15	20	12	RNAF 203212	—	LRT152012	IR15X20X12	IR15X20X12	JR15X20X12
IR 152013	13.5	15	20	13	RNA 4902	RNAF 202813	LRT152013	IR15X20X13	IR15X20X13	JR15X20X13
IRZ 152014	14.5	15	20	14	RNA 4902UU	—	LRTZ152014	IR15X20X14	IR15X20X14D	JRZ15X20X14JS1
IR 152015.5	16.4	15	20	15.5	—	—	IRT1515-2	—	—	—
IR 152018	19	15	20	18	RNA 5902	—	—	—	IR15X20X18	—
IR 152020.5	21.5	15	20	20.5	—	—	IRT1520-2	—	IR15X20X20.5	—
IR 152023	24	15	20	23	RNA 6902	—	LRT152023	IR15X20X23	IR15X20X23	JR15X20X23
IRZ 152024	25	15	20	24	RNA 6902UU	—	LRTZ152024	—	—	—
IR 152026	28	15	20	26	RNAFW 202826	—	LRT152026	IR15X20X26	IR15X20X26	JR15X20X26
IR 172016.5	11.1	17	20	16.5	—	—	IRT1716	IR17X20X16.5	IR17X20X16.5	JR17X20X16.5
IR 172020	14	17	20	20	—	—	—	IR17X20X20	IR17X20X20	JR17X20X20
IR 172020.5	13.7	17	20	20.5	—	—	IRT1720	IR17X20X20.5	IR17X20X20.5	JR17X20X20.5
IR 172030.5	20.5	17	20	30.5	—	—	IRT1730	IR17X20X30.5	IR17X20X30.5	JR17X20X30.5
IR 172215.5	18.3	17	22	15.5	—	—	IRT1715-2	—	—	—



## IR, IRZ

DIMENSION TABLE

INTERCHANGE TABLE

JNS NUMBER INNER RING	Mass (Approx.) g	Dimensions(mm)			JNS USABLE BEARING NUMBER		IKO	INA	NTN	TORRINGTON(KOYO)
		d	F	B			LRT / IRT LRTZ	IR	IR	JR JRZ
IR 172116	14.5	17	21	16	NK 21/16	—	LRT172116	IR17X21X16	IR17X21X16	JR17X21X16
IR 172216.5	19.4	17	22	16.5	—	—	IRT1716-2	—	—	—
IR 172120	18	17	21	20	NK 21/20	—	LRT172120	IR17X21X20	IR17X21X20	JR17X21X20
IR 172213	15.5	17	22	13	RNA 4903	RNAF 223013	LRT172213	IR17X22X13	IR17X22X13	JR17X22X13
IRZ 172214	16.5	17	22	14	RNA 4903UU	—	LRTZ172214	IR17X22X14	IR17X22X14D	JRZ17X22X14JS1
IR 172216	19	17	22	16	RNAF 223516	—	LRT172216	IR17X22X16	IR17X22X16	JR17X22X16
IR 172218	21	17	22	18	RNA 5903	—	—	—	IR17X22X18	—
IR 172223	26.5	17	22	23	RNA 6903	—	LRT172223	IR17X22X23	IR17X22X23	JR17X22X23
IRZ 172224	28	17	22	24	RNA 6903UU	—	LRTZ172224	—	—	—
IR 172225.5	30	17	22	25.5	—	—	IRT1725-2	—	—	—
IR 172226	31	17	22	26	RNAFW 223026	—	LRT172226	IR17X22X26	IR17X22X26	JR17X22X26
IR 172232	38	17	22	32	RNAFW 223532	—	LRT172232	IR17X22X32	IR17X22X32	JR17X22X32
IR 202416	16.5	20	24	16	NK 24/16	—	LRT202416	IR20X24X16	IR20X24X16	JR20X24X16
IR 202416.5	17.5	20	24	16.5	—	—	IRT2016	—	—	—
IR 202420	20.5	20	24	20	NK 24/20	—	LRT202420	IR20X24X20	IR20X24X20	JR20X24X20
IR 202420.5	22	20	24	20.5	—	—	IRT2020	—	—	—
IR 202510.5	14.3	20	25	10.5	—	—	IRT2010-1	—	—	—
IR 202515.5	21	20	25	15.5	—	—	IRT2015-1	—	—	—
IR 202516	22	20	25	16	RNAF 253716	—	LRT202516	IR20X25X16	IR20X25X16	JR20X25X16
IR 202517	23	20	25	17	RNA 4904	RNAF 253517	LRT202517	IR20X25X17	IR20X25X17	JR20X25X17
IRZ 202518	24	20	25	18	RNA 4904UU	—	LRTZ202518	IR20X25X18	IR20X25X18D	JRZ20X25X18JS1
IR 202520	27	20	25	20	—	—	—	IR20X25X20	IR20X25X20	—
IR 202520.5	28	20	25	20.5	—	—	LRT202520	IR20X25X20.5	IR20X25X20.5	JR20X25X20.5
IR 202523	31	20	25	23	RNA 5904	—	—	—	IR20X25X23	—
IR 202525.5	34.5	20	25	25.5	—	—	IRT2025-1	—	—	—
IR 202526	36	20	25	26	RNAFW 253526	—	LRT202526	IR20X25X26	IR20X25X26	JR20X25X26
IR 202526.5	36	20	25	26.5	—	—	IRT2026-1	IR20X25X26.5	IR20X25X26.5	JR20X25X26.5
IR 202530	40.5	20	25	30	RNA 6904	—	LRT202530	IR20X25X30	IR20X25X30	JR20X25X30
IRZ 202531	41.5	20	25	31	RNA 6904UU	—	LRTZ202531	—	—	—
IR 202532	44	20	25	32	RNAFW 253732	—	LRT202532	IR20X25X32	IR20X25X32	JR20X25X32
IR 222616	17.5	22	26	16	NK 26/16	—	LRT222616	IR22X26X16	IR22X26X16	JR22X26X16
IR 222620	24	22	26	20	NK 26/20	—	LRT222620	IR22X26X20	IR22X26X20	JR22X26X20
IR 222817	30.5	22	28	17	RNA 49/22	—	LRT222817	IR22X28X17	IR22X28X17	JR22X28X17
IR 222820.5	37	22	28	20.5	—	—	IRT2220-1	IR22X28X20.5	IR22X28X20.5	JR22X28X20.5
IR 222823	42	22	28	23	RNA 59/22	—	—	—	IR22X28X23	—
IR 222830	55	22	28	30	RNA 69/22	—	LRT222830	IR22X28X30	IR22X28X30	JR22X28X30
IR 252920	25	25	29	20	NK 29/20	—	LRT252920	IR25X29X20	IR25X29X20	JR25X29X20

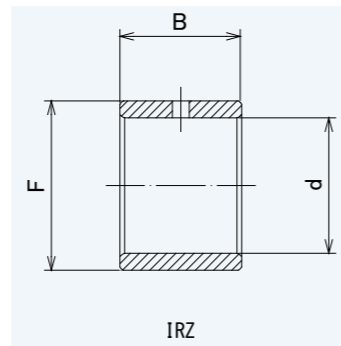
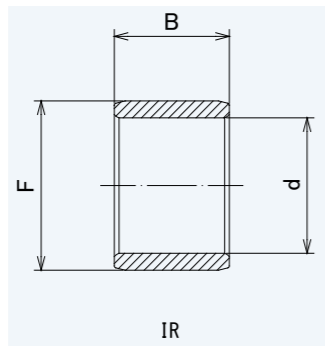


INTERCHANGE



INTERCHANGE



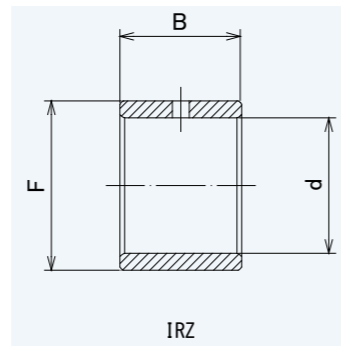
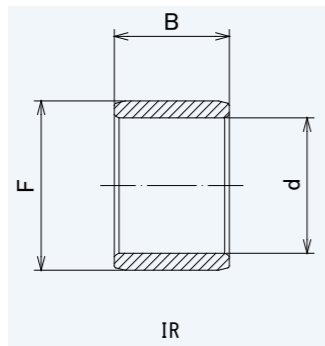


## IR, IRZ

DIMENSION TABLE

INTERCHANGE TABLE

JNS NUMBER INNER RING	Mass (Approx.) g	Dimensions(mm)			JNS USABLE BEARING NUMBER		IKO	INA	NTN	TORRINGTON(KOYO)
		d	F	B			LRT / IRT LRTZ	IR	IR	JR JRZ
IR 252930	38	25	29	30	NK 29/30	—	LRT252930	IR25X29X30	IR25X29X30	JR25X29X30
IR 253015	24.5	25	30	15	—	—	—	—	—	—
IR 253015.5	25.5	25	30	15.5	—	—	IRT2515-1	—	—	—
IR 253016	28	25	30	16	RNAF 304216	—	LRT253016	IR25X30X16	IR25X30X16	JR25X30X16
IR 253017	28.5	25	30	17	RNA 4905	RNAF 304017	LRT253017	IR25X30X17	IR25X30X17	JR25X30X17
IRZ 253018	29.5	25	30	18	RNA 4905UU	—	LRTZ253018	IR25X30X18	IR25X30X18	JRZ25X30X18JS1
IR 253020	33	25	30	20	—	—	—	IR25X30X20	IR25X30X20	JR25X30X20
IR 253020.5	34	25	30	20.5	—	—	LRT253020	IR25X30X20.5	IR25X30X20.5	JR25X30X20.5
IR 253023	38	25	30	23	RNA 5905	—	—	—	IR25X30X23	—
IR 253025.5	42.5	25	30	25.5	—	—	IRT2525-1	—	—	—
IR 253026	44.5	25	30	26	RNAFW 304026	—	LRT253016	IR25X30X26	IR25X30X26	JR25X30X26
IR 253026.5	44	25	30	26.5	—	—	IRT2526-1	IR253026.5	—	JR25X30X26.5
IR 253030	49	25	30	30	RNA 6905	—	LRT253030	IR25X30X30	IR25X30X30	JR25X30X30
IR 253030.5	50.5	25	30	30.5	—	—	IRT2530-1	—	—	—
IRZ 253031	51	25	30	31	RNA 6905UU	—	LRTZ253031	—	—	—
IR 253032	54	25	30	32	RNAFW 304232	—	LRT253032	IR25X30X32	IR25X30X32	JR25X30X32
IR 253038.5	64	25	30	38.5	—	—	IRT2538-1	IR25X30X38.5	—	JR25X30X38.5
IR 283217	24.5	28	32	17	RNA 49/28	—	LRT283217	IR28X32X17	IR28X32X17	JR28X32X17
IR 283220	28.5	28	32	20	NK 32/20	—	LRT283220	IR28X32X20	IR28X32X20	JR28X32X20
IR 283220.5	29.5	28	32	20.5	—	—	IRT2820	—	—	—
IR 283223	34	28	32	23	RNA 59/28	—	—	—	IR28X32X23	—
IR 283230	43	28	32	30	RNA 69/28	NK 32/30	LRT283230	IR28X32X30	IR28X32X30	JR28X32X30
IR 283230.5	44	28	32	30.5	—	—	IRT2830	—	—	—
IR 303516	31.5	30	35	16	RNAF 354716	—	LRT303516	IR30X35X16	IR30X35X16	JR30X35X16
IR 303517	33.5	30	35	17	RNA 4906	RNAF 354517	LRT303517	IR30X35X17	IR30X35X17	JR30X35X17
IRZ 303518	35	30	35	18	RNA 4906UU	—	LRTZ303818	IR30X35X18	IR30X35X18D	JRZ30X35X18JS1
IR 303520	38.5	30	35	20	NK 35/20	—	LRT303520	IR30X35X20	IR30X35X20	JR30X35X20
IR 303520.5	40	30	35	20.5	—	—	IRT3020	IR30X35X20.5	IR30X35X20.5	JR30X35X20.5
IR 303523	44	30	35	23	RNA 5906	—	—	—	IR30X35X23	—
IR 303525.5	51	30	35	25.5	—	—	IRT3025	—	—	—
IR 303526	52	30	35	26	RNAFW 354526	—	LRT303526	IR30X35X26	IR30X35X26	JR30X35X26
IR 303530	59	30	35	30	RNA 6906	NK 35/30	LRT303530	IR30X35X30	IR30X35X30	JR30X35X30
IR 303530.5	60	30	35	30.5	—	—	IRT3030	—	—	—
IRZ 303531	61	30	35	31	RNA 6906UU	—	LRTZ303531	IR30X35X31	—	—
IR 303532	64	30	35	32	RNAFW 354732	—	LRT303532	IR30X35X32	IR30X35X32	JR30X35X32
IR 303820	65	30	38	20	—	—	—	IR30X38X20	IR30X38X20	—
IR 323720	43.5	32	37	20	NK 37/20	—	LRT323720	IR32X37X20	IR32X37X20	JR32X37X20

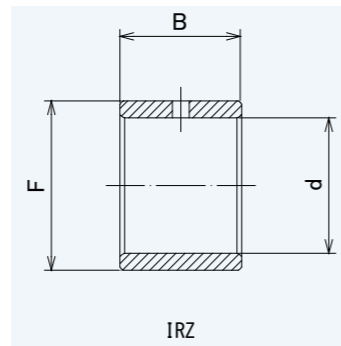
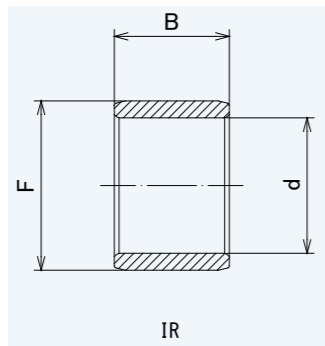


## IR, IRZ

DIMENSION TABLE

INTERCHANGE TABLE

JNS NUMBER INNER RING	Mass (Approx.) g	Dimensions(mm)			JNS USABLE BEARING NUMBER		IKO	INA	NTN	TORRINGTON(KOYO)
		d	F	B			LRT / IRT LRTZ	IR	IR	JR JRZ
IR 323730	63	32	37	30	NK 37/30	—	LRT323730	IR32X37X30	IR32X37X30	JR32X37X30
IR 324020	69	32	40	20	RNA 49/32	—	LRT324020	IR32X40X20	IR32X40X20	JR32X40X20
IR 324027	92	32	40	27	RNA 59/32	—	—	—	IR32X40X27	—
IR 324036	123	32	40	36	RNA 69/32	—	LRT324036	IR32X40X36	IR32X40X36	JR32X40X36
IR 354017	39	35	40	17	RNAF 405017	—	LRT354017	IR35X40X17	IR35X40X17	JR35X40X17
IR 354020	46	35	40	20	NK 40/20	RNAF 405520	LRT354020	IR35X40X20	IR35X40X20	JR35X40X20
IR 354020.5	46.5	35	40	20.5	—	—	IRT3520	IR35X40X20.5	IR35X40X20.5	JR35X40X20.5
IR 354025.5	46	35	40	25.5	—	—	IRT3525	—	—	—
IR 354030	67	35	40	30	NK 40/30	—	LRT354030	IR35X40X30	IR35X40X30	JR35X40X30
IR 354034	78	35	40	34	RNAFW 405034	—	LRT354034	IR35X40X34	IR35X40X34	JR35X40X34
IR 354040	95	35	40	40	RNAFW 405540	—	LRT354040	IR35X40X40	IR35X40X40	JR35X40X40
IR 354220	65	35	42	20	RNA 4907	—	LRT354220	IR35X42X20	IR35X42X20	JR35X42X20
IRZ 354221	67	35	42	21	RNA 4907UU	—	LRTZ354221	IR35X42X21	—	—
IR 354227	80	35	42	27	RNA 5907	—	—	—	IR35X42X27	—
IR 354236	120	35	42	36	RNA 6907	—	LRT354236	IR35X42X36	IR35X42X36	JR35X42X36
IRZ 354237	120	35	42	37	RNA 6907UU	—	LRTZ354237	—	—	—
IR 384320	49.5	38	43	20	NK 43/20	—	LRT384320	IR38X43X20	IR38X43X20	JR38X43X20
IR 384330	72	38	43	30	NK 43/30	—	LRT384330	IR38X43X30	—	—
IR 404517	44.5	40	45	17	RNAF 455517	—	LRT404517	IR40X45X17	IR40X45X17	JR40X45X17
IR 404520	51	40	45	20	NK 45/20	RNAF 456220	LRT404520	IR40X45X20	IR40X45X20	JR40X45X20
IR 404520.5	52.5	40	45	20.5	—	—	IRT4020	IR40X45X20.5	IR40X45X20.5	JR40X45X20.5
IR 404525.5	65.5	40	45	25.5	—	—	IRT4025	—	—	—
IR 404530	77	40	45	30	NK 45/30	—	LRT404530	IR40X45X30	IR40X45X30	JR40X45X30
IR 404530.5	78.5	40	45	30.5	—	—	IRT4030	—	—	—
IR 404534	88	40	45	34	RNAFW 455534	—	LRT404534	IR40X45X34	IR40X45X34	JR40X45X34
IR 404540	105	40	45	40	RNAFW 456240	—	LRT404540	IR40X45X40	IR40X45X40	JR40X45X40
IR 404540.5	104	40	45	40.5	—	—	IRT4040	—	—	—
IR 404822	93	40	48	22	RNA 4908	—	LRT404822	IR40X48X22	IR40X48X22	JR40X48X22
IRZ 404823	95	40	48	23	RNA 4908UU	—	LRTZ404823	IR40X48X23	—	—
IR 404830	123	40	48	30	RNA 5908	—	—	—	IR40X48X30	—
IR 404840	165	40	48	40	RNA 6908	—	LRT404840	IR40X48X40	IR40X48X40	JR40X48X40
IRZ 404841	170	40	48	41	RNA 6908UU	—	LRTZ404841	—	—	—
IR 424720	54	42	47	20	NK 47/20	—	LRT424720	IR42X47X20	IR42X47X20	JR42X47X20
IR 424730	81	42	47	30	NK 47/30	—	LRT424730	IR42X47X30	IR42X47X30	JR42X47X30
IR 455020	58	45	50	20	RNAF 506220	—	LRT455020	IR45X50X20	IR45X50X20	JR45X50X20
IR 455025	71	45	50	25	NK 50/25	—	LRT455025	IR45X50X25	IR45X50X25	JR45X50X25
IR 455025.5	73	45	50	25.5	—	—	IRT4525	IR45X50X25.5	IR45X50X25.5	JR45X50X25.5



## IR, IRZ

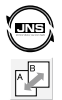
DIMENSION TABLE

INTERCHANGE TABLE

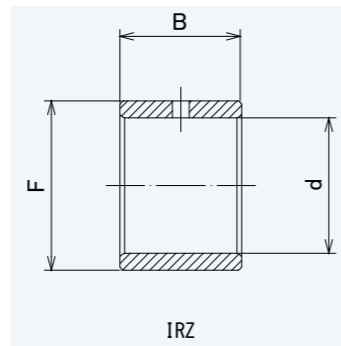
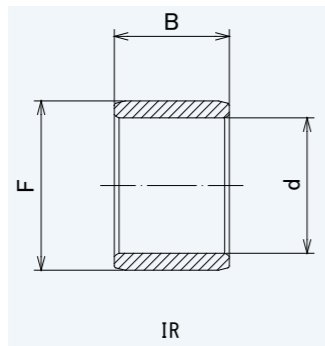
JNS NUMBER INNER RING	Mass (Approx.) g	Dimensions(mm)			JNS USABLE BEARING NUMBER		IKO	INA	NTN	TORRINGTON(KOYO)
		d	F	B			LRT / IRT LRTZ	IR	IR	JR JRZ
IR 455030.5	87.5	45	50	30.5	—	—	IRT4530	—	—	—
IR 455035	95	45	50	35	NK 50/35	—	LRT455035	IR45X50X35	IR45X50X35	JR45X50X35
IR 455040	115	45	50	40	RNAFW 506240	—	LRT455040	IR45X50X40	IR45X50X40	JR45X50X40
IR 455222	88	45	52	22	RNA 4909	—	LRT455222	IR45X52X22	IR45X52X22	JR45X52X22
IRZ 455223	93	45	52	23	RNA 4909UU	—	LRTZ455223	IR45X52X23	IR45X52X23D	JRZ45X52X23JS1
IR 455230	123	45	52	30	RNA 5909	—	—	—	IR45X52X30	—
IR 455240	165	45	52	40	RNA 6909	—	LRT455240	IR45X52X40	IR45X52X40	JR45X52X40
IRZ 455241	170	45	52	41	RNA 6909UU	—	LRTZ455241	—	—	—
IR 455520	120	45	55	20	RNAF 557220	—	LRT455520	IR45X55X20	IR45X55X20	JR45X55X20
IR 455522	130	45	55	22	—	—	—	IR45X55X22	IR45X55X22	JR45X55X22
IR 455540	245	45	55	40	RNAFW 557240	—	LRT455540	IR45X55X40	IR45X55X40	JR45X55X40
IR 505520	63	50	55	20	RNAF 556820	—	LRT505520	IR50X55X20	IR50X55X20	JR50X55X20
IR 505525	77	50	55	25	NK 55/25	—	LRT505525	IR50X55X25	IR50X55X25	JR50X55X25
IR 505535	110	50	55	35	NK 55/35	—	LRT505535	IR50X55X35	IR50X55X35	JR50X55X35
IR 505540	130	50	55	40	RNAFW 556840	—	LRT505540	IR50X55X40	IR50X55X40	JR50X55X40
IR 505822	116	50	58	22	RNA 4910	—	LRT505822	IR50X58X22	IR50X58X22	JR50X58X22
IRZ 505823	118	50	58	23	RNA 4910UU	—	LRTZ505823	IR50X58X23	IR50X58X23D	JRZ50X58X23JS1
IR 505830	159	50	58	30	RNA 5910	—	—	—	IR50X58X30	—
IR 505840	210	50	58	40	RNA 6910	—	LRT505840	IR50X58X40	IR50X58X40	JR50X58X40
IRZ 505841	215	50	58	41	RNA 6910UU	—	LRTZ505841	—	—	—
IR 506020	135	50	60	20	RNAF 607820	—	LRT506020	IR50X60X20	IR50X60X20	JR50X60X20
IR 506025	163	50	60	25	—	—	—	IR50X60X25	IR50X60X25	JR50X60X25
IR 506040	265	50	60	40	RNAFW 607840	—	LRT506040	IR50X60X40	IR50X60X40	JR50X60X40
IR 556025	88	55	60	25	NK 60/25	—	LRT556025	IR55X60X25	IR55X60X25	JR55X60X25
IR 556035	120	55	60	35	NK 60/35	—	LRT556035	IR55X60X35	IR55X60X35	JR55X60X35
IR 556325	145	55	63	25	RNA 4911	—	LRT556325	IR55X63X25	IR55X63X25	JR55X63X25
IR 556334	192	55	63	34	RNA 5911	—	—	—	IR55X63X34	—
IR 556345	255	55	63	45	RNA 6911	—	LRT556345	IR55X63X45	IR55X63X45	JR55X63X45
IR 556530	220	55	65	30	RNAF 658530	—	LRT556530	IR55X65X30	IR55X65X30	JR55X65X30
IR 556560	435	55	65	60	RNAFW 658560	—	LRT556560	IR55X65X60	IR55X65X60	JR55X65X60
IR 606825	150	60	68	25	RNA 4912	NK 68/25	LRT606825	IR60X68X25	IR60X68X25	JR60X68X25
IR 606834	206	60	68	34	RNA 5912	—	—	—	IR60X68X34	—
IR 606835	210	60	68	35	NK 68/35	—	LRT606835	IR60X68X35	IR60X68X35	JR60X68X35
IR 606845	275	60	68	45	RNA 6912	—	LRT606845	IR60X68X45	IR60X68X45	JR60X68X45
IR 607025	195	60	70	25	—	—	—	IR60X70X25	IR60X70X25	JR60X70X25
IR 607030	240	60	70	30	RNAF 709030	—	LRT607030	IR60X70X30	IR60X70X30	JR60X70X30
IR 607060	480	60	70	60	RNAFW 709060	—	LRT607060	IR60X70X60	IR60X70X60	JR60X70X60



INTERCHANGE



INTERCHANGE



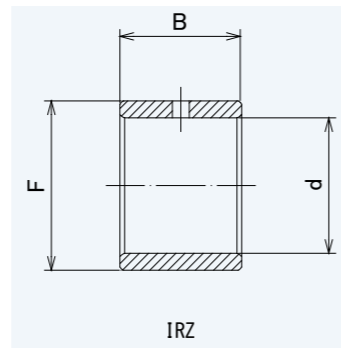
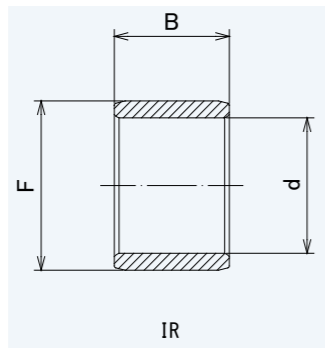
## IR, IRZ

DIMENSION TABLE

INTERCHANGE TABLE

JNS NUMBER INNER RING	Mass (Approx.) g	Dimensions(mm)			JNS USABLE BEARING NUMBER		IKO	INA	NTN	TORRINGTON(KOYO)
		d	F	B			LRT / IRT LRTZ	IR	IR	JR JRZ
IR 657225	145	65	72	25	RNA 4913	—	LRT657225	IR65X72X25	IR65X72X25	JR65X72X25
IR 657234	193	65	72	34	RNA 5913	—	—	—	IR65X72X34	—
IR 657245	255	65	72	45	RNA 6913	—	LRT657245	IR65X72X45	IR65X72X45	JR65X72X45
IR 657335	235	65	73	35	NK 73/35	—	LRT657335	IR65X73X35	IR65X73X35	JR65X73X35
IR 657530	260	65	75	30	RNAF 759530	—	LRT657530	IR65X75X30	IR65X75X30	JR65X75X30
IR 657560	520	65	75	60	RNAFW 759560	—	LRT657560	IR65X75X60	IR65X75X60	JR65X75X60
IR 708025	225	70	80	25	NK 80/25	—	LRT708025	IR70X80X25	IR70X80X25	JR70X80X25
IR 708030	275	70	80	30	RNA 4914	RNAF 8010030	LRT708030	IR70X80X30	IR70X80X30	JR70X80X30
IR 708035	310	70	80	35	NK 80/35	—	LRT708035	IR70X80X35	IR70X80X35	JR70X80X35
IR 708040	358	70	80	40	RNA 5914	—	—	—	IR70X80X40	—
IR 708054	490	70	80	54	RNA 6914	—	LRT708054	IR70X80X54	IR70X80X54	JR70X80X54
IR 708060	560	70	80	60	RNAFW 8010060	—	LRT708060	IR70X80X60	IR70X80X60	JR70X80X60
IR 758525	240	75	85	25	NK 85/25	—	LRT758525	IR75X85X25	IR75X85X25	JR75X85X25
IR 758530	290	75	85	30	RNA 4915	RNAF 8510530	LRT758530	IR75X85X30	IR75X85X30	JR75X85X30
IR 758535	335	75	85	35	NK 85/35	—	LRT758535	IR75X85X35	IR75X85X35	JR75X85X35
IR 758540	385	75	85	40	RNA 5915	—	—	—	IR75X85X40	—
IR 758554	520	75	85	54	RNA 6915	—	LRT758554	IR75X85X54	IR75X85X54	JR75X85X54
IR 809025	255	80	90	25	NK 90/25	—	LRT809025	IR80X90X25	IR80X90X25	JR80X90X25
IR 809030	310	80	90	30	RNA 4916	RNAF 9011030	LRT809030	IR80X90X30	IR80X90X30	JR80X90X30
IR 809035	355	80	90	35	NK 90/35	—	LRT809035	IR80X90X35	IR80X90X35	JR80X90X35
IR 809040	408	80	90	40	RNA 5916	—	—	—	IR80X90X40	—
IR 809054	550	80	90	54	RNA 6916	—	LRT809054	IR80X90X54	IR80X90X54	JR80X90X54
IR 859526	280	85	95	26	NK 95/26	—	LRT859526	IR85X95X26	IR85X95X26	JR85X95X26
IR 859530	330	85	95	30	RNAF 9511530	—	LRT859530	IR85X95X30	IR85X95X30	JR85X95X30
IR 859536	390	85	95	36	NK 95/36	—	LRT859536	IR85X95X36	IR85X95X36	JR85X95X36
IR 8510035	575	85	100	35	RNA 4917	—	LRT8510035	IR85X100X35	IR85X100X35	JR85X100X35
IR 8510046	760	85	100	46	RNA 5917	—	—	—	IR85X100X46	—
IR 8510063	1 040	85	100	63	RNA 6917	—	LRT8510063	IR85X100X63	IR85X100X63	JR85X100X63
IR 9010026	295	90	100	26	NK 100/26	—	LRT9010026	IR90X100X26	IR90X100X26	JR90X100X26
IR 9010030	355	90	100	30	RNAF 10012030	—	LRT9010030	IR90X100X30	IR90X100X30	JR90X100X30
IR 9010036	415	90	100	36	NK 100/36	—	LRT9010036	IR90X100X36	IR90X100X36	JR90X100X36
IR 9010535	610	90	105	35	RNA 4918	—	LRT9010535	IR90X105X35	IR90X105X35	JR90X105X35
IR 9010546	800	90	105	46	RNA 5918	—	—	—	IR90X105X46	—
IR 9010563	1 100	90	105	63	RNA 6918	—	LRT9010563	IR90X105X63	IR90X105X63	JR90X105X63
IR 9510526	315	95	105	26	NK 105/26	—	LRT9510526	IR95X105X26	IR95X105X26	JR95X105X26
IR 9510536	430	95	105	36	NK 105/36	—	LRT9510536	IR95X105X36	IR95X105X36	JR95X105X36
IR 9511035	650	95	110	35	RNA 4919	—	LRT9511035	IR95X110X35	IR95X110X35	JR95X110X35





## IR, IRZ

DIMENSION TABLE

INTERCHANGE TABLE

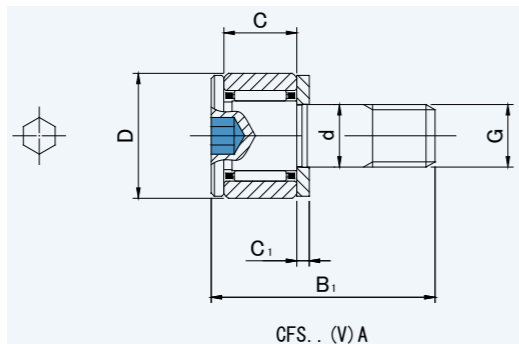
JNS NUMBER INNER RING	Mass (Approx.) g	Dimensions(mm)			JNS USABLE BEARING NUMBER		IKO	INA	NTN	TORRINGTON(KOYO)
		d	F	B			LRT / IRT LRTZ	IR	IR	JR JRZ
IR 9511046	850	95	110	46	RNA 5919	—	—	IR95X110X46	—	
IR 9511063	1 160	95	110	63	RNA 6919	—	LRT9511063	IR95X110X63	IR95X110X63	JR95X110X63
IR 10011030	380	100	110	30	NK 110/30	—	LRT10011030	IR100X110X30	IR100X110X30	JR100X110X30
IR 10011040	500	100	110	40	NK 110/40	—	LRT10011040	IR100X110X40	IR100X110X40	JR100X110X40
IR 10011540	700	100	115	40	RNA 4920	—	LRT10011540	IR100X115X40	IR100X115X40	JR100X115X40
IR 11012030	410	110	120	30	RNA 4822	—	LRT11012030	IR110X120X30	IR110X120X30	JR110X120X30
IR 11012540	840	110	125	40	RNA 4922	—	LRT11012540	IR110X125X40	IR110X125X40	JR110X125X40
IR 12013030	450	120	130	30	RNA 4824	—	LRT12013030	IR120X130X30	IR120X130X30	JR120X130X30
IR 12013545	1 030	120	135	45	RNA 4924	—	LRT12013545	IR120X135X45	IR120X135X45	JR120X135X45
IR 13014535	860	130	145	35	RNA 4826	—	LRT13014535	IR130X145X35	IR130X145X35	JR130X145X35
IR 13015050	1 670	130	150	50	RNA 4926	—	LRT13015050	IR130X150X50	IR130X150X50	JR130X150X50
IR 14015535	930	140	155	35	RNA 4828	—	LRT14015535	IR140X155X35	IR140X155X35	JR140X155X35
IR 14016050	1 790	140	160	50	RNA 4928	—	LRT14016050	IR140X160X50	IR140X160X50	JR140X160X50
IR 15016540	1 130	150	165	40	RNA 4830	—	LRT15016540	IR150X165X40	IR150X165X40	JR150X165X40
IR 16017540	1 200	160	175	40	RNA 4832	—	LRT16017540	IR160X175X40	IR160X175X40	JR160X175X40



# CAM FOLLOWERS

## MINIATURE TYPE

### HEXAGON SOCKET ON STUD HEAD



CFS..A

## CFS..A

DIMENSION TABLE

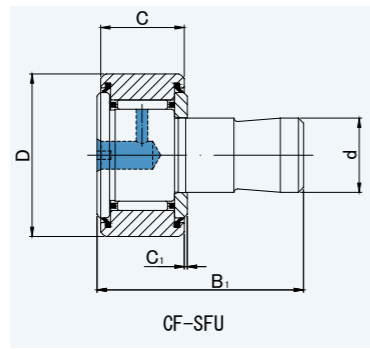
JNS NUMBER CYLINDRICAL OUTER RING	Mass (Approx.) g	Dimensions(mm)						Basic dynamic load rating Cr N	Basic static load rating Cor N	INTERCHANGE TABLE			
		d	D	C	G	B1	C1			INA CYLINDRICAL OUTER RING	IKO CYLINDRICAL OUTER RING	NTN CYLINDRICAL OUTER RING	MCGILL CYLINDRICAL OUTER RING
CFS	g	d	D	C	G	B1	C1	Cr N	Cor N	—	CFS	KRM	—
<b>CFS 2.5A</b>	<b>1</b>	2.5	5	3	M2.5×0.45	9.5	0.7	410	335	—	CFS2.5	KRM5XT2H/3A	—
<b>CFS 2.5VA</b>	<b>1</b>	2.5	5	3	M2.5×0.45	9.5	0.7	1 000	1 080	—	CFS2.5V	KRMV5XT2H/3A	—
<b>CFS 3A</b>	<b>2</b>	3	6	4	M3×0.5	11.5	0.7	630	610	—	CFS3	KRM6XT2H/3A	—
<b>CFS 3VA</b>	<b>2</b>	3	6	4	M3×0.5	11.5	0.7	1 370	1 770	—	CFS3V	KRMV6XT2H/3A	—
<b>CFS 4A</b>	<b>4</b>	4	8	5	M4×0.7	15	1	1 080	1 080	—	CFS4	KRM8XT2H/3A	—
<b>CFS 4VA</b>	<b>4</b>	4	8	5	M4×0.7	15	1	2 350	3 040	—	CFS4V	KRMV8XT2H/3A	—
<b>CFS 5A</b>	<b>7</b>	5	10	6	M5×0.8	18	1	1 570	1 860	—	CFS5	KRM10XT2H/3A	—
<b>CFS 5VA</b>	<b>7</b>	5	10	6	M5×0.8	18	1	3 140	4 710	—	CFS5V	KRMV10XT2H/3A	—
<b>CFS 6A</b>	<b>13</b>	6	12	7	M6×1	21.5	1.2	2 060	2 160	—	CFS6	KRM12XT2H/3A	—
<b>CFS 6VA</b>	<b>13</b>	6	12	7	M6×1	21.5	1.2	4 610	6 270	—	CFS6V	KRMV12XT2H/3A	—



INTERCHANGE



INTERCHANGE



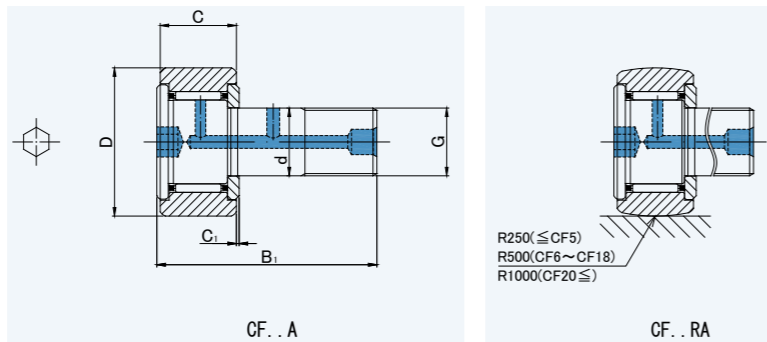
**CF-SFU, R**

DIMENSION TABLE

INTERCHANGE TABLE

JNS NUMBER CYLINDRICAL OUTER RING	JNS NUMBER CROWNED OUTER RING	Mass (Approx.) g	Dimensions(mm)					Basic dynamic load rating Cr N	Basic static load rating Cor N	INA		IKO		NTN		MCGILL	
			d	D	C	B1	C1			CYLINDRICAL OUTER RING	CROWNED OUTER RING	CYLINDRICAL OUTER RING	CROWNED OUTER RING	CYLINDRICAL OUTER RING	CROWNED OUTER RING	CYLINDRICAL OUTER RING	CROWNED OUTER RING
CF-SFU	CF-SFU..R	g	d	D	C	B1	C1	Cr N	Cor N	—	—	CF-SFU	—	KRX	KRX	—	—
<b>CF-SFU-6</b>	<b>CF-SFU-6R</b>	<b>19</b>	6	16	11	32	0.6	3 630	3 630	—	—	CF-SFU-6	—	KRX6X16X32-2	KRX6X16X32-4	—	—
<b>CF-SFU-6V</b>	<b>CF-SFU-6VR</b>	<b>19</b>	6	16	11	32	0.6	6 960	8 530	—	—	—	—	—	—	—	—
<b>CF-SFU-8</b>	<b>CF-SFU-8R</b>	<b>28.5</b>	8	19	11	32	0.6	4 310	4 710	—	—	CF-SFU-8	—	KRX8X19X32-7	KRX8X19X32-9	—	—
<b>CF-SFU-8V</b>	<b>CF-SFU-8VR</b>	<b>28.5</b>	8	19	11	32	0.6	8 130	11 170	—	—	—	—	—	—	—	—
<b>CF-SFU-10</b>	<b>CF-SFU-10R</b>	<b>43</b>	10	22	12	33	0.6	5 390	6 860	—	—	CF-SFU-10	—	KRX10X22X33-1	KRX10X22X33-3	—	—
<b>CF-SFU-10V</b>	<b>CF-SFU-10VR</b>	<b>43</b>	10	22	12	33	0.6	9 510	14 500	—	—	—	—	—	—	—	—
<b>CF-SFU-10-1</b>	<b>CF-SFU-10-1R</b>	<b>58.5</b>	10	26	12	33	0.6	5 390	6 860	—	—	CF-SFU-10-1	—	KRX10X26X33-2	KRX10X26X33-4	—	—
<b>CF-SFU-10-1V</b>	<b>CF-SFU-10-1VR</b>	<b>58.5</b>	10	26	12	33	0.6	9 510	14 500	—	—	—	—	—	—	—	—
<b>CF-SFU-12</b>	<b>CF-SFU-12R</b>	<b>93</b>	12	30	14	35	0.6	7 940	9 800	—	—	CF-SFU-12	—	KRX12X30X35	KRX12X30X35-3	—	—
<b>CF-SFU-12V</b>	<b>CF-SFU-12VR</b>	<b>93</b>	12	30	14	35	0.6	13 430	19 700	—	—	—	—	—	—	—	—
<b>CF-SFU-12-1</b>	<b>CF-SFU-12-1R</b>	<b>103</b>	12	32	14	35	0.6	7 940	9 800	—	—	CF-SFU-12-1	—	KRX12X32X35-1	KRX12X32X35-3	—	—
<b>CF-SFU-12-1V</b>	<b>CF-SFU-12-1VR</b>	<b>103</b>	12	32	14	35	0.6	13 430	19 700	—	—	—	—	—	—	—	—
<b>CF-SFU-16</b>	<b>CF-SFU-16R</b>	<b>163.5</b>	16	35	18	44.5	0.8	12 050	18 330	—	—	CF-SFU-16	—	KRX16X35X44.5-3	KRX16X35X44.5-1	—	—
<b>CF-SFU-16V</b>	<b>CF-SFU-16VR</b>	<b>163.5</b>	16	35	18	44.5	0.8	20 680	37 630	—	—	—	—	—	—	—	—
<b>CF-SFU-18</b>	<b>CF-SFU-18R</b>	<b>235</b>	18	40	20	46.5	0.8	14 700	25 200	—	—	CF-SFU-18	—	KRX18X40X46.5-4	KRX18X40X46.5-6	—	—
<b>CF-SFU-18V</b>	<b>CF-SFU-18VR</b>	<b>235</b>	18	40	20	46.5	0.8	25 280	51 350	—	—	—	—	—	—	—	—
<b>CF-SFU-20</b>	<b>CF-SFU-20R</b>	<b>436</b>	20	52	24	50.5	0.8	20 680	34 600	—	—	CF-SFU-20	—	KRX20X47X50.5-3	KRX20X47X50.5-1	—	—
<b>CF-SFU-20V</b>	<b>CF-SFU-20VR</b>	<b>436</b>	20	52	24	50.5	0.8	33 120	64 480	—	—	—	—	—	—	—	—
<b>CF-SFU-20-1</b>	<b>CF-SFU-20-1R</b>	<b>361</b>	20	47	24	50.5	0.8	20 680	34 600	—	—	CF-SFU-20-1	—	KRX20X52X50.5-1	KRX20X52X50.5-3	—	—
<b>CF-SFU-20-1V</b>	<b>CF-SFU-20-1VR</b>	<b>361</b>	20	47	24	50.5	0.8	33 120	64 480	—	—	—	—	—	—	—	—





**CF..A, RA**

DIMENSION TABLE

INTERCHANGE TABLE

JNS NUMBER CYLINDRICAL OUTER RING	JNS NUMBER CROWNED OUTER RING	Mass (Approx.) g	Dimensions(mm)						Basic dynamic load rating Cr N	Basic static load rating Cor N	INA		NTN		IKO		MCGILL	
			d	D	C	G	B1	C1			CYLINDRICAL OUTER RING	CROWNED OUTER RING	CYLINDRICAL OUTER RING	CROWNED OUTER RING	CYLINDRICAL OUTER RING	CROWNED OUTER RING	CYLINDRICAL OUTER RING	CROWNED OUTER RING
CF..A	CF..RA										KR-XSK	KR-SK	KR-XH	KR-H	CF-B	CF-BR	MCFR-BX	MCFR-B
<b>CF 3A</b>	<b>CF 3RA</b>	<b>4.5</b>	3	10	7	M3×0.5	17	0.5	1 470	1 180	—	—	KR10T2XH/3AS	KR10T2H/3AS	CF3B	CF3BR	—	—
<b>CF 3VA</b>	<b>CF 3RVA</b>	<b>4.5</b>	3	10	7	M3×0.5	17	0.5	2 800	2 500	—	—	KRV10T2XH/3AS	KRV10T2H/3AS	—	—	—	—
<b>CF 4A</b>	<b>CF 4RA</b>	<b>7.5</b>	4	12	8	M4×0.7	20	0.5	2 060	2 050	—	—	KR12T2XH/3AS	KR12T2H/3AS	CF4B	CF4BR	—	—
<b>CF 4VA</b>	<b>CF 4RVA</b>	<b>7.5</b>	4	12	8	M4×0.7	20	0.5	4 000	4 300	—	—	KRV12T2XH/3AS	KRV12T2H/3AS	—	—	—	—
<b>CF 5A</b>	<b>CF 5RA</b>	<b>10.5</b>	5	13	9	M5×0.8	23	0.5	3 140	2 770	—	—	KR13T2XH/3AS	KR13T2H/3AS	CF5B	CF5BR	MCFR-13BX	MCFR-13B
<b>CF 5VA</b>	<b>CF 5VRA</b>	<b>10.5</b>	5	13	9	M5×0.8	23	0.5	5 100	5 500	—	—	KRV13T2XH/3AS	KRV13T2H/3AS	—	—	MCF-13BX	MCF-13B
<b>CF 6A</b>	<b>CF 6RA</b>	<b>18.5</b>	6	16	11	M6×1	28	0.6	3 630	3 630	KR16X-SK	KR16-SK	KR16XH	KR16H	CF6B	CF6BR	MCFR-16BX	MCFR-16B
<b>CF 6VA</b>	<b>CF 6VRA</b>	<b>18.5</b>	6	16	11	M6×1	28	0.6	6 960	8 530	KRV16X-SK	KRV16-SK	KRV16XH/3AS	KRV16H/3AS	CF6VB	CF6VBR	MCF-16BX	MCF-16B
<b>CF 8A</b>	<b>CF 8RA</b>	<b>28.5</b>	8	19	11	M8×1.25	32	0.6	4 310	4 710	KR19X-SK	KR19-SK	KR19XH	KR19H	CF8B	CF8BR	MCFR-19BX	MCFR-19B
<b>CF 8VA</b>	<b>CF 8VRA</b>	<b>28.5</b>	8	19	11	M8×1.25	32	0.6	8 130	11 170	KRV19X-SK	KRV19-SK	KRV19XH/3AS	KRV19H/3AS	CF8VB	CF8VBR	MCF-19BX	MCF-19B
<b>CF10A</b>	<b>CF10RA</b>	<b>45</b>	10	22	12	M10×1.25	36	0.6	5 390	6 860	—	—	KR22XH	KR22H	CF10B	CF10BR	MCFR-22BXA	MCFR-22BA
<b>CF10VA</b>	<b>CF10VRA</b>	<b>45</b>	10	22	12	M10×1.25	36	0.6	9 510	14 500	—	—	KRV22XH/3AS	KRV22H/3AS	CF10VB	CF10VBR	MCF-22BXA	MCF-22BA
<b>CF10AK</b>	<b>CF10RAK</b>	<b>45</b>	10	22	12	M10×1	36	0.6	5 390	6 860	KR22X-SK	KR22-SK	—	—	CF10BM	CF10BRM	MCFR-22BX	MCFR-22B
<b>CF10VAK</b>	<b>CF10VRAK</b>	<b>45</b>	10	22	12	M10×1	36	0.6	9 510	14 500	KRV22X-SK	KRV22-SK	—	—	CF10VBM	CF10VBRM	MCF-22BX	MCF-22B
<b>CF10-1A</b>	<b>CF10-1RA</b>	<b>60</b>	10	26	12	M10×1.25	36	0.6	5 390	6 860	—	—	KR26XH	KR26H	CF10-1B	CF10-1BR	MCFR-26BXA	MCFR-26BA
<b>CF10-1VA</b>	<b>CF10-1VRA</b>	<b>60</b>	10	26	12	M10×1.25	36	0.6	9 510	14 500	—	—	KRV26XH/3AS	KRV26H/3AS	CF10-1VB	CF10-1VBR	MCF-26BXA	MCF-26BA
<b>CF10-1AK</b>	<b>CF10-1RAK</b>	<b>60</b>	10	26	12	M10×1	36	0.6	5 390	6 860	KR26X-SK	KR26-SK	—	—	CF10-1BM	CF10-1BRM	MCFR-26BX	MCFR-26B
<b>CF10-1VAK</b>	<b>CF10-1VRAK</b>	<b>60</b>	10	26	12	M10×1	36	0.6	9 510	14 500	KRV26X-SK	KRV26-SK	—	—	CF10-1VBM	CF10-1VBRM	MCF-26BX	MCF-26B
<b>CF12A</b>	<b>CF12RA</b>	<b>95</b>	12	30	14	M12×1.5	40	0.6	7 940	9 800	KR30X-SK	KR30-SK	KR30XH	KR30H	CF12B	CF12BR	MCFR-30BX	MCFR-30B
<b>CF12VA</b>	<b>CF12VRA</b>	<b>95</b>	12	30	14	M12×1.5	40	0.6	13 430	19 700	KRV30X-SK	KRV30-SK	KRV30XH/3AS	KRV30H/3AS	CF12VB	CF12VBR	MCF-30BX	MCF-30B
<b>CF12-1A</b>	<b>CF12-1RA</b>	<b>105</b>	12	32	14	M12×1.5	40	0.6	7 940	9 800	KR32X-SK	KR32-SK	KR32XH	KR32H	CF12-1B	CF12-1BR	MCFR-32BX	MCFR-32B
<b>CF12-1VA</b>	<b>CF12-1VRA</b>	<b>105</b>	12	32	14	M12×1.5	40	0.6	13 430	19 700	KRV32X-SK	KRV32-SK	KRV32XH/3AS	KRV32H/3AS	CF12-1VB	CF12-1VBR	MCF-32BX	MCF-32B
<b>CF16A</b>	<b>CF16RA</b>	<b>170</b>	16	35	18	M16×1.5	52	0.8	12 050	18 330	KR35X-SK	KR35-SK	KR35XH	KR35H	CF16B	CF16BR	MCFR-35BX	MCFR-35B
<b>CF16VA</b>	<b>CF16VRA</b>	<b>170</b>	16	35	18	M16×1.5	52	0.8	20 680	37 630	KRV35X-SK	KRV35-SK	KRV35XH/3AS	KRV35H/3AS	CF16VB	CF16VBR	MCF-35BX	MCF-35B
<b>CF18A</b>	<b>CF18RA</b>	<b>250</b>	18	40	20	M18×1.5	58	0.8	14 700	25 200	KR40X-SK	KR40-SK	KR40XH	KR40H	CF18B	CF18BR	MCFR-40BXA	MCFR-40BA
<b>CF18VA</b>	<b>CF18VRA</b>	<b>250</b>	18	40	20	M18×1.5	58	0.8	25 280	51 350	KRV40X-SK	KRV40-SK	KRV40XH/3AS	KRV40H/3AS	CF18VB	CF18VBR	MCF-40BXA	MCF-40BA
<b>CF20A</b>	<b>CF20RA</b>	<b>460</b>	20	52	24	M20×1.5	66	0.8	20 680	34 600	KR52X-SK	KR52-SK	KR52XH	KR52H	CF20B	CF20BR	MCFR-52BXA	MCFR-52BA
<b>CF20VA</b>	<b>CF20VRA</b>	<b>460</b>	20	52	24	M20×1.5	66	0.8	33 120	64 480	KRV52X-SK	KRV52-SK	KRV52XH/3AS	KRV52H/3AS	CF20VB	CF20VBR	MCF-52BXA	MCF-52BA
<b>CF20-1A</b>	<b>CF20-1RA</b>	<b>385</b>	20	47	24	M20×1.5	66	0.8	20 680	34 600	KR47X-SK	KR47-SK	KR47XH	KR47H	CF20-1B	CF20-1BR	MCFR-47BXA	MCFR-47BA
<b>CF20-1VA</b>	<b>CF20-1VRA</b>	<b>385</b>	20	47	24	M20×1.5	66	0.8	33 120	64 480	KRV47X-SK	KRV47-SK	KRV47XH/3AS	KRV47H/3AS	CF20-1VB	CF20-1VBR	MCF-47BXA	MCF-47BA
<b>CF24A</b>	<b>CF24RA</b>	<b>815</b>	24	62	29	M24×1.5	80	0.8	30 480	52 630	KR62X-SK	KR62-SK	KR62XH	KR62H	CF24B	CF24BR	MCFR-62BXA	MCFR-62BA
<b>CF24VA</b>	<b>CF24VRA</b>	<b>815</b>	24	62	29	M24×1.5	80	0.8	46 550	92 020	KRV62X-SK	KRV62-SK	KRV62XH/3AS	KRV62H/3AS	CF24VB	CF24VBR	MCF-62BXA	MCF-62BA
<b>CF24-1A</b>	<b>CF24-1RA</b>	<b>1 140</b>	24	72	29	M24×1.5	80	0.8	30 480	52 630	KR72X-SK	KR72-SK	KR72XH	KR72H	CF24-1B	CF24-1BR	MCFR-72BXA	MCFR-72BA
<b>CF24-1VA</b>	<b>CF24-1VRA</b>	<b>1 140</b>	24	72	29	M24×1.5	80	0.8	46 550	92 020	KRV72X-SK	KRV72-SK	KRV72XH/3AS	KRV72H/3AS	CF24-1VB	CF24-1VBR	MCF-72BXA	MCF-72BA

Stud diameter (d) 3 to 10mm : No grease refilling hole is provided (except "K" type)

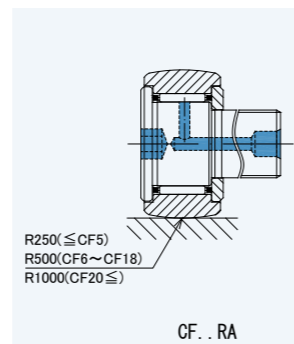
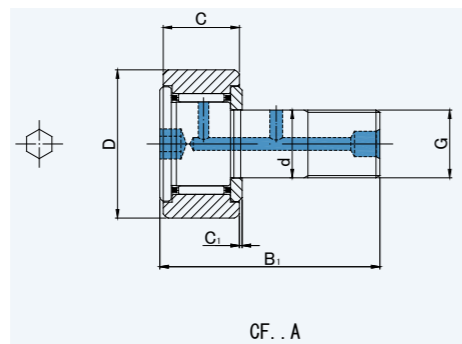


INTERCHANGE



INTERCHANGE





**CF..A, RA**

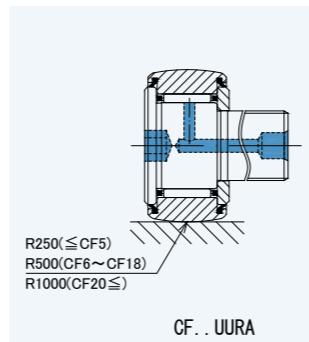
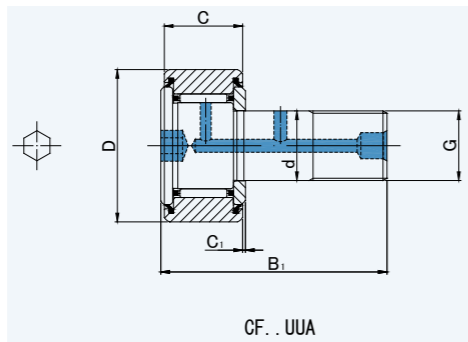
**DIMENSION TABLE**

**INTERCHANGE TABLE**

JNS NUMBER CYLINDRICAL OUTER RING	JNS NUMBER CROWNED OUTER RING	Mass (Approx.) g	Dimensions(mm)						Basic dynamic load rating Cr N	Basic static load rating Cor N	INA		NTN		IKO		MCGILL	
			d	D	C	G	B1	C1			CYLINDRICAL OUTER RING	CROWNED OUTER RING	CYLINDRICAL OUTER RING	CROWNED OUTER RING	CYLINDRICAL OUTER RING	CROWNED OUTER RING	CYLINDRICAL OUTER RING	CROWNED OUTER RING
CF..A	CF..RA										KR-XSK	KR-SK	KR-XH	KR-H	CF-B	CF-BR	MCFR-BX	MCFR-B
<b>CF30A</b>	<b>CF30RA</b>	<b>1 870</b>	30	80	35	M30×1.5	100	1	45 370	85 060	KR80X-SK	KR80-SK	KR80XH	KR80H	CF30B	CF30BR	MCFR-80BX	MCFR-80B
<b>CF30VA</b>	<b>CF30VRA</b>	<b>1 870</b>	30	80	35	M30×1.5	100	1	67 620	144 060	KRV80X-SK	KRV80-SK	KRV80XH/3AS	KRV80H/3AS	CF30VB	CF30VBR	MCF-80BX	MCF-80B
<b>CF30-1A</b>	<b>CF30-1RA</b>	<b>2 030</b>	30	85	35	M30×1.5	100	1	45 370	85 060	KR85X-SK	KR85-SK	—	—	CF30-1B	CF30-1BR	MCFR-85BX	MCFR-85B
<b>CF30-1VA</b>	<b>CF30-1VRA</b>	<b>2 030</b>	30	85	35	M30×1.5	100	1	67 620	144 060	KRV85X-SK	KRV85-SK	—	—	CF30-1VB	CF30-1VBR	MCF-85BX	MCF-85B
<b>CF30-2A</b>	<b>CF30-2RA</b>	<b>2 220</b>	30	90	35	M30×1.5	100	1	45 370	85 060	KR90X-SK	KR90-SK	KR90XH	KR90H	CF30-2B	CF30-2BR	MCFR-90BX	MCFR-90B
<b>CF30-2VA</b>	<b>CF30-2VRA</b>	<b>2 220</b>	30	90	35	M30×1.5	100	1	67 620	144 060	KRV90X-SK	KRV90-SK	KRV90XH/3AS	KRV90H/3AS	CF30-2VB	CF30-2VBR	MCF-90BX	MCF-90B

Stud diameter (d) 3 to 10mm : No grease refilling hole is provided (except "K" type)





**CF..UUA, UURA**

DIMENSION TABLE

JNS NUMBER CYLINDRICAL OUTER RING	JNS NUMBER CROWNED OUTER RING	Mass (Approx.) g	Dimensions(mm)						Basic dynamic load rating Cr N	Basic static load rating Cor N
			d	D	C	G	B1	C1		
CF 3UUA	CF 3UURA	4.5	3	10	7	M3×0.5	17	0.5	1 470	1 180
CF 3VUUA	CF 3VUURA	4.5	3	10	7	M3×0.5	17	0.5	2 800	2 500
CF 4UUA	CF 4UURA	7.5	4	12	8	M4×0.7	20	0.5	2 060	2 050
CF 4VUUA	CF 4VUURA	7.5	4	12	8	M4×0.7	20	0.5	4 000	4 300
CF 5UUA	CF 5UURA	10.5	5	13	9	M5×0.8	23	0.5	3 140	2 770
CF 5VUUA	CF 5VUURA	10.5	5	13	9	M5×0.8	23	0.5	5 100	5 500
CF 6UUA	CF 6UURA	18.5	6	16	11	M6×1	28	0.6	3 630	3 630
CF 6VUUA	CF 6VUURA	18.5	6	16	11	M6×1	28	0.6	6 960	8 530
CF 8UUA	CF 8UURA	28.5	8	19	11	M8×1.25	32	0.6	4 310	4 710
CF 8VUUA	CF 8VUURA	28.5	8	19	11	M8×1.25	32	0.6	8 130	11 170
CF10UUA	CF10UURA	45	10	22	12	M10×1.25	36	0.6	5 390	6 860
CF10VUUA	CF10VUURA	45	10	22	12	M10×1.25	36	0.6	9 510	14 500
CF10UUAK	CF10UURAK	45	10	22	12	M10×1	36	0.6	5 390	6 860
CF10VUUAK	CF10VUURAK	45	10	22	12	M10×1	36	0.6	9 510	14 500
CF10-1UUA	CF10-1UURA	60	10	26	12	M10×1.25	36	0.6	5 390	6 860
CF10-1VUUA	CF10-1VUURA	60	10	26	12	M10×1.25	36	0.6	9 510	14 500
CF10-1UUAK	CF10-1UURAK	60	10	26	12	M10×1	36	0.6	5 390	6 860
CF10-1VUUAK	CF10-1VUURAK	60	10	26	12	M10×1	36	0.6	9 510	14 500
CF12UUA	CF12UURA	95	12	30	14	M12×1.5	40	0.6	7 940	9 800
CF12VUUA	CF12VUURA	95	12	30	14	M12×1.5	40	0.6	13 430	19 700
CF12-1UUA	CF12-1UURA	105	12	32	14	M12×1.5	40	0.6	7 940	9 800
CF12-1VUUA	CF12-1VUURA	105	12	32	14	M12×1.5	40	0.6	13 430	19 700
CF16UUA	CF16UURA	170	16	35	18	M16×1.5	52	0.8	12 050	18 330
CF16VUUA	CF16VUURA	170	16	35	18	M16×1.5	52	0.8	20 680	37 630
CF18UUA	CF18UURA	250	18	40	20	M18×1.5	58	0.8	14 700	25 200
CF18VUUA	CF18VUURA	250	18	40	20	M18×1.5	58	0.8	25 280	51 350
CF20UUA	CF20UURA	460	20	52	24	M20×1.5	66	0.8	20 680	34 600
CF20VUUA	CF20VUURA	460	20	52	24	M20×1.5	66	0.8	33 120	64 480
CF20-1UUA	CF20-1UURA	385	20	47	24	M20×1.5	66	0.8	20 680	34 600
CF20-1VUUA	CF20-1VUURA	385	20	47	24	M20×1.5	66	0.8	33 120	64 480
CF24UUA	CF24UURA	815	24	62	29	M24×1.5	80	0.8	30 480	52 630
CF24VUUA	CF24VUURA	815	24	62	29	M24×1.5	80	0.8	46 550	92 020
CF24-1UUA	CF24-1UURA	1 140	24	72	29	M24×1.5	80	0.8	30 480	52 630
CF24-1VUUA	CF24-1VUURA	1 140	24	72	29	M24×1.5	80	0.8	46 550	92 020
CF30UUA	CF30UURA	1 870	30	80	35	M30×1.5	100	1	45 370	85 060

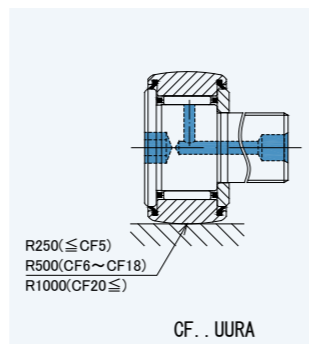
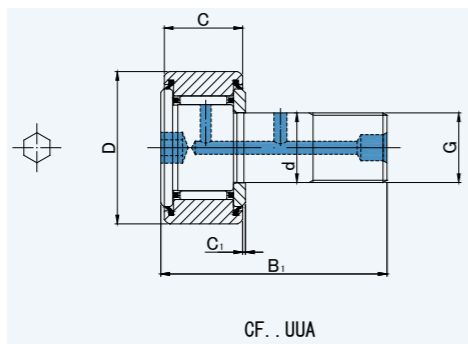
INTERCHANGE TABLE

CYLINDRICAL OUTER RING	CROWNED OUTER RING	INA		NTN		IKO		MCGILL	
		KR-XSKPP	KR-SKPP	KR-LLXH	KR-LLH	CF-BUU	CF-BUUR	MCFR-SBX	MCFR-SB
—	—	—	—	KR10LLT2XH/3AS	KR10LLT2H/3AS	CF3BUU	CF3BUUR	—	—
—	—	—	—	KRV10LLT2XH/3AS	KRV10LLT2H/3AS	—	—	—	—
—	—	—	—	KR12LLT2XH/3AS	KR12LLT2H/3AS	CF4BUU	CF4BUUR	—	—
—	—	—	—	KRV12LLT2XH/3AS	KRV12LLT2H/3AS	—	—	—	—
—	—	—	—	KR13LLT2XH/3AS	KR13LLT2H/3AS	CF5BUU	CF5BUUR	MCFR-13SBX	MCFR-13SB
—	—	—	—	KRV13LLT2XH/3AS	KRV13LLT2H/3AS	—	—	MCF-13SBX	MCF-13SB
—	—	—	—	KR16X-SK-PP	KR16-SK-PP	CF6BUU	CF6BUUR	MCFR-16SBX	MCFR-16SB
—	—	—	—	KRV16X-SK-PP	KRV16-SK-PP	CF6VBUU	CF6VBUUR	MCF-16SBX	MCF-16SB
—	—	—	—	KR19X-SK-PP	KR19-SK-PP	CF8BUU	CF8BUUR	MCFR-19SBX	MCFR-19SB
—	—	—	—	KRV19X-SK-PP	KRV19-SK-PP	CF8VBUU	CF8VBUUR	MCF-19SBX	MCF-19SB
—	—	—	—	—	—	CF10BUU	CF10BUUR	MCFR-22SBXA	MCFR-22SBA
—	—	—	—	—	—	CF10VBUU	CF10VBUUR	MCF-22SBXA	MCF-22SBA
—	—	—	—	—	—	CF10BUUM	CF10BUURM	MCFR-22SBX	MCFR-22SB
—	—	—	—	—	—	CF10VBUUM	CF10VBUURM	MCF-22SBX	MCF-22SB
—	—	—	—	—	—	CF10-1BUU	CF10-1BUUR	MCFR-26SBXA	MCFR-26SBA
—	—	—	—	—	—	CF10-1VBUU	CF10-1VBUUR	MCF-26SBXA	MCF-26SBA
—	—	—	—	—	—	CF10-1BUUM	CF10-1BUURM	MCFR-26SBX	MCFR-26SB
—	—	—	—	—	—	CF10-1VBUUM	CF10-1VBUURM	MCF-26SBX	MCF-26SB
—	—	—	—	—	—	CF12BUU	CF12BUUR	MCFR-30SBX	MCFR-30SB
—	—	—	—	—	—	CF12VBUU	CF12VBUUR	MCF-30SBX	MCF-30SB
—	—	—	—	—	—	CF12-1BUU	CF12-1BUUR	MCFR-32SBX	MCFR-32SB
—	—	—	—	—	—	CF12-1VBUU	CF12-1VBUUR	MCF-32SBX	MCF-32SB
—	—	—	—	—	—	CF16BUU	CF16BUUR	MCFR-35SBX	MCFR-35SB
—	—	—	—	—	—	CF16VBUU	CF16VBUUR	MCF-35SBX	MCF-35SB
—	—	—	—	—	—	CF18BUU	CF18BUUR	MCFR-40SBXA	MCFR-40SBA
—	—	—	—	—	—	CF18VBUU	CF18VBUUR	MCF-40SBXA	MCF-40SBA
—	—	—	—	—	—	CF20BUU	CF20BUUR	MCFR-52SBXA	MCFR-52SBA
—	—	—	—	—	—	CF20VBUU	CF20VBUUR	MCF-52SBXA	MCF-52SBA
—	—	—	—	—	—	CF20-1BUU	CF20-1BUUR	MCFR-47SBXA	MCFR-47SBA
—	—	—	—	—	—	CF20-1VBUU	CF20-1VBUUR	MCF-47SBXA	MCF-47SBA
—	—	—	—	—	—	CF24BUU	CF24BUUR	MCFR-62SBXA	MCFR-62SBA
—	—	—	—	—	—	CF24VBUU	CF24VBUUR	MCF-62SBXA	MCF-62SBA
—	—	—	—	—	—	CF24-1BUU	CF24-1BUUR	MCFR-72SBXA	MCFR-72SBA
—	—	—	—	—	—	CF24-1VBUU	CF24-1VBUUR	MCF-72SBXA	MCF-72SBA
—	—	—	—	—	—	CF30BUU	CF30BUUR	MCFR-80SBX	MCFR-80SB

Stud diameter (d) 3 to 10mm : No grease refilling hole is provided (except "K" type)

INTERCHANGE

INTERCHANGE



**CF..UUA, UURA**

DIMENSION TABLE

INTERCHANGE TABLE

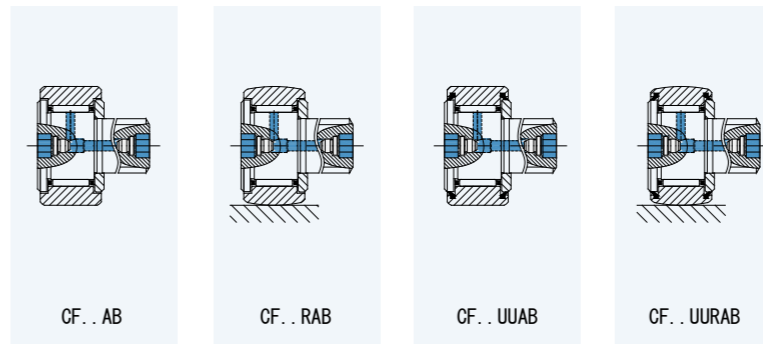
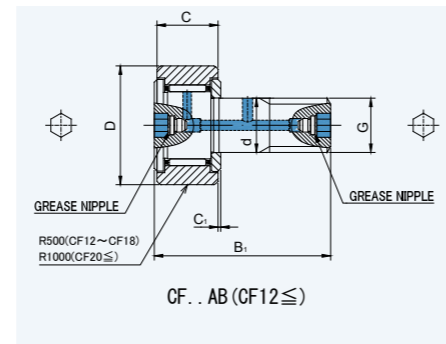
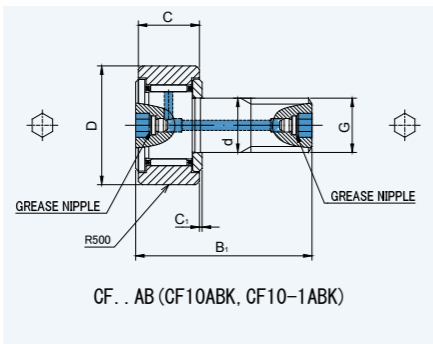
JNS NUMBER CYLINDRICAL OUTER RING	JNS NUMBER CROWNED OUTER RING	Mass (Approx.)	Dimensions(mm)						Basic dynamic load rating	Basic static load rating	INA		NTN		IKO		MCGILL	
			d	D	C	G	B1	C1			Cr N	Cor N	CYLINDRICAL OUTER RING	CROWNED OUTER RING	CYLINDRICAL OUTER RING	CROWNED OUTER RING	CYLINDRICAL OUTER RING	CROWNED OUTER RING
CF..UUA	CF..UURA	g	d	D	C	G	B1	C1	Cr N	Cor N	KR-XSKPP	KR-SKPP	KR-LLXH	KR-LLH	CF-BUU	CF-BUUR	MCFR-SBX	MCFR-SB
<b>CF30VUUA</b>	<b>CF30VUURA</b>	<b>1 870</b>	30	80	35	M30×1.5	100	1	67 620	144 060	KRV80X-SK-PP	KRV80-SK-PP	KRV80XLLH/3AS	KRV80LLH/3AS	CF30VBUU	CF30VBUUR	MCF-80SBX	MCF-80SB
<b>CF30-1UUA</b>	<b>CF30-1UURA</b>	<b>2 030</b>	30	85	35	M30×1.5	100	1	45 370	85 060	KR85X-SK-PP	KR85-SK-PP	—	—	CF30-1BUU	CF30-1BUUR	MCFR-85SBX	MCFR-85SB
<b>CF30-1VUUA</b>	<b>CF30-1VUURA</b>	<b>2 030</b>	30	85	35	M30×1.5	100	1	67 620	144 060	KRV85X-SK-PP	KRV85-SK-PP	—	—	CF30-1VBUU	CF30-1VBUUR	MCF-85SBX	MCF-85SB
<b>CF30-2UUA</b>	<b>CF30-2UURA</b>	<b>2 220</b>	30	90	35	M30×1.5	100	1	45 370	85 060	KR90X-SK-PP	KR90-SK-PP	KR90XLLH	KR90LLH	CF30-2BUU	CF30-2BUUR	MCFR-90SBX	MCFR-90SB
<b>CF30-2VUUA</b>	<b>CF30-2VUURA</b>	<b>2 220</b>	30	90	35	M30×1.5	100	1	67 620	144 060	KRV90X-SK-PP	KRV90-SK-PP	KRV90XLLH/3AS	KRV90LLH/3AS	CF30-2VBUU	CF30-2VBUUR	MCF-90SBX	MCF-90SB

Stud diameter (d) 3 to 10mm : No grease refilling hole is provided (except "K" type)



# CAM FOLLOWERS

HEXAGON SOCKET ON BOTH SIDES  
GREASE NIPPLE INSTALLED



# CF..AB, RAB, UUAB, UURAB

## CF..AB, RAB, UUAB, UURAB

DIMENSION TABLE

JNS NUMBER CYLINDRICAL OUTER RING WITHOUT SEALS	JNS NUMBER CROWNED OUTER RING WITHOUT SEALS	JNS NUMBER CYLINDRICAL OUTER RING WITH SEALS	JNS NUMBER CROWNED OUTER RING WITH SEALS	Mass (Approx.)	Dimensions(mm)						Basic dynamic load rating	Basic static load rating
CF..AB	CF..RAB	CF..UUAB	CF..UURAB	g	d	D	C	G	B1	C1	Cr N	Cor N
CF10ABK	CF10RABK	CF10UUABK	CF10UURABK	45	10	22	12	M10×1	36	0.6	4 700	1 670
CF10VABK	CF10VRABK	CF10VUUABK	CF10VUURABK	45	10	22	12	M10×1	36	0.6	4 700	1 670
CF10-1ABK	CF10-1RABK	CF10-1UUABK	CF10-1UURABK	60	10	26	12	M10×1	36	0.6	5 490	2 060
CF10-1VABK	CF10-1VRABK	CF10-1VUUABK	CF10-1VUURABK	60	10	26	12	M10×1	36	0.6	5 490	2 060
CF12AB	CF12RAB	CF12UUAB	CF12UURAB	95	12	30	14	M12×1.5	40	0.6	7 060	2 450
CF12VAB	CF12VRAB	CF12VUUAB	CF12VUURAB	95	12	30	14	M12×1.5	40	0.6	7 060	2 450
CF12-1AB	CF12-1RAB	CF12-1UUAB	CF12-1UURAB	105	12	32	14	M12×1.5	40	0.6	7 450	2 740
CF12-1VAB	CF12-1VRAB	CF12-1VUUAB	CF12-1VUURAB	105	12	32	14	M12×1.5	40	0.6	7 450	2 740
CF16AB	CF16RAB	CF16UUAB	CF16UURAB	170	16	35	18	M16×1.5	52	0.8	11 200	3 140
CF16VAB	CF16VRAB	CF16VUUAB	CF16VUURAB	170	16	35	18	M16×1.5	52	0.8	11 200	3 140
CF18AB	CF18RAB	CF18UUAB	CF18UURAB	250	18	40	20	M18×1.5	58	0.8	14 400	3 720
CF18VAB	CF18VRAB	CF18VUUAB	CF18VUURAB	250	18	40	20	M18×1.5	58	0.8	14 400	3 720
CF20AB	CF20RAB	CF20UUAB	CF20UURAB	460	20	52	24	M20×1.5	66	0.8	23 200	8 230
CF20VAB	CF20VRAB	CF20VUUAB	CF20VUURAB	460	20	52	24	M20×1.5	66	0.8	23 200	8 230
CF20-1AB	CF20-1RAB	CF20-1UUAB	CF20-1UURAB	385	20	47	24	M20×1.5	66	0.8	21 000	7 150
CF20-1VAB	CF20-1VRAB	CF20-1VUUAB	CF20-1VUURAB	385	20	47	24	M20×1.5	66	0.8	21 000	7 150
CF24AB	CF24RAB	CF24UUAB	CF24UURAB	815	24	62	29	M24×1.5	80	0.8	34 200	10 500
CF24VAB	CF24VRAB	CF24VUUAB	CF24VUURAB	815	24	62	29	M24×1.5	80	0.8	34 200	10 500
CF24-1AB	CF24-1RAB	CF24-1UUAB	CF24-1UURAB	1 140	24	72	29	M24×1.5	80	0.8	39 800	12 900
CF24-1VAB	CF24-1VRAB	CF24-1VUUAB	CF24-1VUURAB	1 140	24	72	29	M24×1.5	80	0.8	39 800	12 900
CF30AB	CF30RAB	CF30UUAB	CF30UURAB	1 870	30	80	35	M30×1.5	100	1	52 600	14 900
CF30VAB	CF30VRAB	CF30VUUAB	CF30VUURAB	1 870	30	80	35	M30×1.5	100	1	52 600	14 900
CF30-1AB	CF30-1RAB	CF30-1UUAB	CF30-1UURAB	2 030	30	85	35	M30×1.5	100	1	56 000	16 100
CF30-1VAB	CF30-1VRAB	CF30-1VUUAB	CF30-1VUURAB	2 030	30	85	35	M30×1.5	100	1	56 000	16 100
CF30-2AB	CF30-2RAB	CF30-2UUAB	CF30-2UURAB	2 220	30	90	35	M30×1.5	100	1	59 300	17 300
CF30-2VAB	CF30-2VRAB	CF30-2VUUAB	CF30-2VUURAB	2 220	30	90	35	M30×1.5	100	1	59 300	17 300

INTERCHANGE TABLE

				INA				NTN		IKO		MCGILL	
CYLINDRICAL OUTER RING WITHOUT SEALS	CROWNED OUTER RING WITHOUT SEALS	CYLINDRICAL OUTER RING WITH SEALS	CROWNED OUTER RING WITH SEALS	CYLINDRICAL OUTER RING WITHOUT SEALS	CROWNED OUTER RING WITHOUT SEALS	CYLINDRICAL OUTER RING WITH SEALS	CROWNED OUTER RING WITH SEALS	CYLINDRICAL OUTER RING WITHOUT SEALS	CROWNED OUTER RING WITHOUT SEALS	CYLINDRICAL OUTER RING WITHOUT SEALS	CROWNED OUTER RING WITHOUT SEALS	CYLINDRICAL OUTER RING WITHOUT SEALS	CROWNED OUTER RING WITHOUT SEALS
KR-X	KR	KR-PPX	KR-PP	—	—	—	—	—	—	—	—	—	—
KR22X	KR22	KR22PPX	KR22PP	—	—	—	—	—	—	—	—	—	—
KRV22X	KRV22	KRV22PPX	KRV22PP	—	—	—	—	—	—	—	—	—	—
KR26X	KR26	KR26PPX	KR26PP	—	—	—	—	—	—	—	—	—	—
KRV26X	KRV26	KRV26PPX	KRV26PP	—	—	—	—	—	—	—	—	—	—
KR30X	KR30	KR30PPX	KR30PP	—	—	—	—	—	—	—	—	—	—
KRV30X	KRV30	KRV30PPX	KRV30PP	—	—	—	—	—	—	—	—	—	—
KR32X	KR32	KR32PPX	KR32PP	—	—	—	—	—	—	—	—	—	—
KRV32X	KRV32	KRV32PPX	KRV32PP	—	—	—	—	—	—	—	—	—	—
KR35X	KR35	KR35PPX	KR35PP	—	—	—	—	—	—	—	—	—	—
KRV35X	KRV35	KRV35PPX	KRV35PP	—	—	—	—	—	—	—	—	—	—
KR40X	KR40	KR40PPX	KR40PP	—	—	—	—	—	—	—	—	—	—
KRV40X	KRV40	KRV40PPX	KRV40PP	—	—	—	—	—	—	—	—	—	—
KR52X	KR52	KR52PPX	KR52PP	—	—	—	—	—	—	—	—	—	—
KRV52X	KRV52	KRV52PPX	KRV52PP	—	—	—	—	—	—	—	—	—	—
KR47X	KR47	KR47PPX	KR47PP	—	—	—	—	—	—	—	—	—	—
KRV47X	KRV47	KRV47PPX	KRV47PP	—	—	—	—	—	—	—	—	—	—
KR62X	KR62	KR62PPX	KR62PP	—	—	—	—	—	—	—	—	—	—
KRV62X	KRV62	KRV62PPX	KRV62PP	—	—	—	—	—	—	—	—	—	—
KR72X	KR72	KR72PPX	KR72PP	—	—	—	—	—	—	—	—	—	—
KRV72X	KRV72	KRV72PPX	KRV72PP	—	—	—	—	—	—	—	—	—	—
KR80X	KR80	KR80PPX	KR80PP	—	—	—	—	—	—	—	—	—	—
KRV80X	KRV80	KRV80PPX	KRV80PP	—	—	—	—	—	—	—	—	—	—
—	—	—	—	—	—	—	—	—	—	—	—	—	—
—	—	—	—	—	—	—	—	—	—	—	—	—	—
KR90X	KR90	KR90PPX	KR90PP	—	—	—	—	—	—	—	—	—	—
KRV90X	KRV90	KRV90PPX	KRV90PP	—	—	—	—	—	—	—	—	—	—

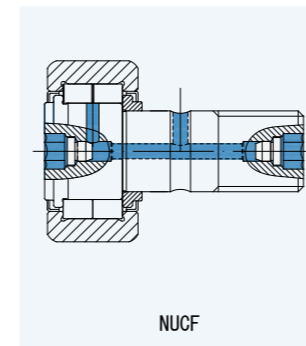
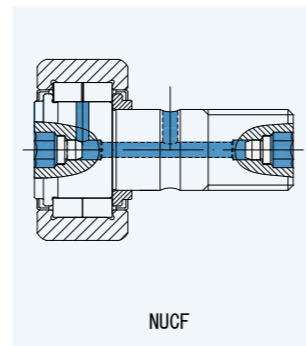
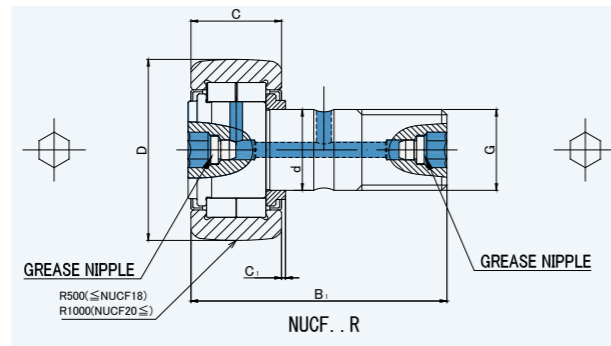
INTERCHANGE

INTERCHANGE



**CAM FOLLOWERS**  
**FULL COMPLIMENT DOUBLE ROW**  
**HEXAGON SOCKET ON BOTH SIDES**  
**GREASE NIPPLE INSTALLED**

**NUCF..AB, RAB**



**NUCF..AB, RAB**

DIMENSION TABLE

INTERCHANGE TABLE

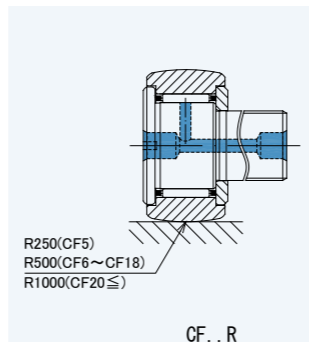
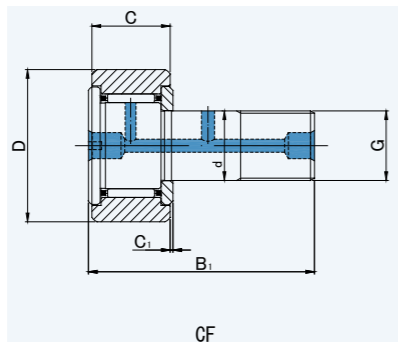
JNS NUMBER CYLINDRICAL OUTER RING	JNS NUMBER CROWNED OUTER RING	Mass (Approx.)	Dimensions(mm)						Basic dynamic load rating	Basic static load rating	INA		NTN		IKO		MCGILL	
			d	D	C	G	B1	C1			Cr N	Cor N	CYLINDRICAL OUTER RING	CROWNED OUTER RING	CYLINDRICAL OUTER RING	CROWNED OUTER RING	CYLINDRICAL OUTER RING	CROWNED OUTER RING
NUCF..AB	NUCF..RAB	g	d	D	C	G	B1	C1	Cr N	Cor N	—	NUKR	NUKR..X	NUKR	—	NUCF..R	MCFD..X	MCFD
<b>NUCF16AB</b>	<b>NUCF16RAB</b>	<b>165</b>	16	35	18	M16x1.5	32.5	0.8	22 300	25 700	—	NUKR35	NUKR35XH	NUKR35H	—	NUCF16BR	MCFD-35X	MCFD-35
<b>NUCF18AB</b>	<b>NUCF18RAB</b>	<b>242</b>	18	40	20	M18x1.5	36.5	0.8	24 100	29 100	—	NUKR40	NUKR40XH	NUKR40H	—	NUCF18BR	MCFD-40X	MCFD-40
<b>NUCF20-1AB</b>	<b>NUCF20-1RAB</b>	<b>380</b>	20	47	24	M20x1.5	40.5	0.8	38 500	48 000	—	NUKR47	NUKR47XH	NUKR47H	—	NUCF20-1BR	MCFD-47X	MCFD-47
<b>NUCF20AB</b>	<b>NUCF20RAB</b>	<b>450</b>	20	52	24	M20x1.5	40.5	0.8	42 500	57 500	—	NUKR52	NUKR52XH	NUKR52H	—	NUCF20BR	MCFD-52X	MCFD-52
<b>NUCF24AB</b>	<b>NUCF24RAB</b>	<b>795</b>	24	62	28	M24x1.5	49.5	1.3	56 500	72 500	—	NUKR62	NUKR62XH	NUKR62H	—	NUCF24BR	MCFD-62X	MCFD-62
<b>NUCF24-1AB</b>	<b>NUCF24-1RAB</b>	<b>1 010</b>	24	72	28	M24x1.5	49.5	1.3	62 000	85 500	—	NUKR72	NUKR72XH	NUKR72H	—	NUCF24-1BR	MCFD-72X	MCFD-72
<b>NUCF30AB</b>	<b>NUCF30RAB</b>	<b>1 540</b>	30	80	35	M30x1.5	63	1	101 000	151 000	—	NUKR80	NUKR80XH	NUKR80H	—	NUCF30BR	MCFD-80X	MCFD-80
<b>NUCF30-2AB</b>	<b>NUCF30-2RAB</b>	<b>1 960</b>	30	90	35	M30x1.5	63	1	101 000	151 000	—	NUKR90	NUKR90XH	NUKR90H	—	NUCF30-2BR	MCFD-90X	MCFD-90



INTERCHANGE



INTERCHANGE



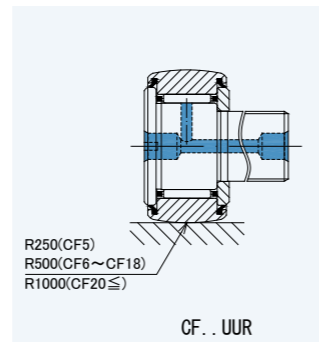
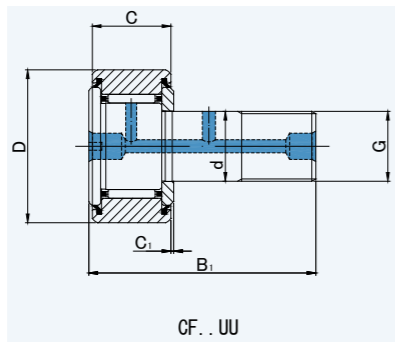
**CF, R**

DIMENSION TABLE

INTERCHANGE TABLE

JNS NUMBER CYLINDRICAL OUTER RING	JNS NUMBER CROWNED OUTER RING	Mass (Approx.) g	Dimensions(mm)						Basic dynamic load rating Cr N	Basic static load rating Cor N	INA		NTN		IKO		MCGILL	
			d	D	C	G	B1	C1			CYLINDRICAL OUTER RING	CROWNED OUTER RING	CYLINDRICAL OUTER RING	CROWNED OUTER RING	CYLINDRICAL OUTER RING	CROWNED OUTER RING	CYLINDRICAL OUTER RING	CROWNED OUTER RING
CF	CF..R	g	d	D	C	G	B1	C1	Cr N	Cor N	KR-X	KR	KR-X	KR	CF	CF..R	MCFR-X	MCFR
<b>CF5</b>	<b>CF5R</b>	<b>10.5</b>	5	13	9	M5×0.8	23	0.5	3 140	2 770	—	—	—	—	CF5	CF5R	MCFR-13X	MCFR-13
<b>CF5V</b>	<b>CF5VR</b>	<b>10.5</b>	5	13	9	M5×0.8	23	0.5	5 100	5 500	—	—	—	—	CF5V	CF5VR	MCF-13X	MCF-13
<b>CF6</b>	<b>CF6R</b>	<b>18.5</b>	6	16	11	M6×1	28	0.6	3 630	3 630	KR16X	KR16	KR16X	KR16	CF6	CF6R	MCFR-16X	MCFR-16
<b>CF6V</b>	<b>CF6VR</b>	<b>18.5</b>	6	16	11	M6×1	28	0.6	6 960	8 530	KRV16X	KRV16	KRV16X	KRV16	CF6V	CF6VR	MCF-16X	MCF-16
<b>CF8</b>	<b>CF8R</b>	<b>28.5</b>	8	19	11	M8×1.25	32	0.6	4 310	4 710	KR19X	KR19	KR19X	KR19	CF8	CF8R	MCFR-19X	MCFR-19
<b>CF8V</b>	<b>CF8VR</b>	<b>28.5</b>	8	19	11	M8×1.25	32	0.6	8 130	11 170	KRV19X	KRV19	KRV19X	KRV19	CF8V	CF8VR	MCF-19X	MCF-19
<b>CF10</b>	<b>CF10R</b>	<b>45</b>	10	22	12	M10×1.25	36	0.6	5 390	6 860	—	—	KR22X	KR22	CF10	CF10R	MCFR-22XA	MCFR-22A
<b>CF10V</b>	<b>CF10VR</b>	<b>45</b>	10	22	12	M10×1.25	36	0.6	9 510	14 500	—	—	KRV22X	KRV22	CF10V	CF10VR	MCF-22XA	MCF-22A
<b>CF10K</b>	<b>CF10RK</b>	<b>45</b>	10	22	12	M10×1	36	0.6	5 390	6 860	—	—	—	—	CF10M	CF10RM	MCFR-22X	MCFR-22
<b>CF10VK</b>	<b>CF10VRK</b>	<b>45</b>	10	22	12	M10×1	36	0.6	9 510	14 500	—	—	—	—	CF10VM	CF10VRM	MCF-22X	MCF-22
<b>CF10-1</b>	<b>CF10-1R</b>	<b>60</b>	10	26	12	M10×1.25	36	0.6	5 390	6 860	—	—	KR26X	KR26	CF10-1	CF10-1R	MCFR-26XA	MCFR-26A
<b>CF10-1V</b>	<b>CF10-1VR</b>	<b>60</b>	10	26	12	M10×1.25	36	0.6	9 510	14 500	—	—	KRV26X	KRV26	CF10-1V	CF10-1VR	MCF-26XA	MCF-26A
<b>CF10-1K</b>	<b>CF10-1RK</b>	<b>60</b>	10	26	12	M10×1	36	0.6	5 390	6 860	—	—	—	—	CF10-1M	CF10-1RM	MCFR-26X	MCFR-26
<b>CF10-1VK</b>	<b>CF10-1VRK</b>	<b>60</b>	10	26	12	M10×1	36	0.6	9 510	14 500	—	—	—	—	CF10-1VM	CF10-1VRM	MCF-26X	MCF-26
<b>CF12</b>	<b>CF12R</b>	<b>95</b>	12	30	14	M12×1.5	40	0.6	7 940	9 800	—	—	KR30X	KR30	CF12	CF12R	MCFR-30X	MCFR-30
<b>CF12V</b>	<b>CF12VR</b>	<b>95</b>	12	30	14	M12×1.5	40	0.6	13 430	19 700	—	—	KRV30X	KRV30	CF12V	CF12VR	MCF-30X	MCF-30
<b>CF12-1</b>	<b>CF12-1R</b>	<b>105</b>	12	32	14	M12×1.5	40	0.6	7 940	9 800	—	—	KR32X	KR32	CF12-1	CF12-1R	MCFR-32X	MCFR-32
<b>CF12-1V</b>	<b>CF12-1VR</b>	<b>105</b>	12	32	14	M12×1.5	40	0.6	13 430	19 700	—	—	KRV32X	KRV32	CF12-1V	CF12-1VR	MCF-32X	MCF-32
<b>CF16</b>	<b>CF16R</b>	<b>170</b>	16	35	18	M16×1.5	52	0.8	12 050	18 330	—	—	KR35X	KR35	CF16	CF16R	MCFR-35X	MCFR-35
<b>CF16V</b>	<b>CF16VR</b>	<b>170</b>	16	35	18	M16×1.5	52	0.8	20 680	37 630	—	—	KRV35X	KRV35	CF16V	CF16VR	MCF-35X	MCF-35
<b>CF18</b>	<b>CF18R</b>	<b>250</b>	18	40	20	M18×1.5	58	0.8	14 700	25 200	—	—	KR40X	KR40	CF18	CF18R	MCFR-40XA	MCFR-40A
<b>CF18V</b>	<b>CF18VR</b>	<b>250</b>	18	40	20	M18×1.5	58	0.8	25 280	51 350	—	—	KRV40X	KRV40	CF18V	CF18VR	MCF-40XA	MCF-40A
<b>CF20</b>	<b>CF20R</b>	<b>460</b>	20	52	24	M20×1.5	66	0.8	20 680	34 600	—	—	KR52X	KR52	CF20	CF20R	MCFR-52XA	MCFR-52A
<b>CF20V</b>	<b>CF20VR</b>	<b>460</b>	20	52	24	M20×1.5	66	0.8	33 120	64 480	—	—	KRV52X	KRV52	CF20V	CF20VR	MCF-52XA	MCF-52A
<b>CF20-1</b>	<b>CF20-1R</b>	<b>385</b>	20	47	24	M20×1.5	66	0.8	20 680	34 600	—	—	KR47X	KR47	CF20-1	CF20-1R	MCFR-47XA	MCFR-47A
<b>CF20-1V</b>	<b>CF20-1VR</b>	<b>385</b>	20	47	24	M20×1.5	66	0.8	33 120	64 480	—	—	KRV47X	KRV47	CF20-1V	CF20-1VR	MCF-47XA	MCF-47A
<b>CF24</b>	<b>CF24R</b>	<b>815</b>	24	62	29	M24×1.5	80	0.8	30 480	52 630	—	—	KR62X	KR62	CF24	CF24R	MCFR-62XA	MCFR-62A
<b>CF24V</b>	<b>CF24VR</b>	<b>815</b>	24	62	29	M24×1.5	80	0.8	46 550	92 020	—	—	KRV62X	KRV62	CF24V	CF24VR	MCF-62XA	MCF-62A
<b>CF24-1</b>	<b>CF24-1R</b>	<b>1 140</b>	24	72	29	M24×1.5	80	0.8	30 480	52 630	—	—	KR72X	KR72	CF24-1	CF24-1R	MCFR-72XA	MCFR-72A
<b>CF24-1V</b>	<b>CF24-1VR</b>	<b>1 140</b>	24	72	29	M24×1.5	80	0.8	46 550	92 020	—	—	KRV72X	KRV72	CF24-1V	CF24-1VR	MCF-72XA	MCF-72A
<b>CF30</b>	<b>CF30R</b>	<b>1 870</b>	30	80	35	M30×1.5	100	1	45 370	85 060	—	—	KR80X	KR80	CF30	CF30R	MCFR-80X	MCFR-80
<b>CF30V</b>	<b>CF30VR</b>	<b>1 870</b>	30	80	35	M30×1.5	100	1	67 620	144 060	—	—	KRV80X	KRV80	CF30V	CF30VR	MCF-80X	MCF-80
<b>CF30-1</b>	<b>CF30-1R</b>	<b>2 030</b>	30	85	35	M30×1.5	100	1	45 370	85 060	—	—	KR85X	KR85	CF30-1	CF30-1R	MCFR-85X	MCFR-85
<b>CF30-1V</b>	<b>CF30-1VR</b>	<b>2 030</b>	30	85	35	M30×1.5	100	1	67 620	144 060	—	—	KRV85X	KRV85	CF30-1V	CF30-1VR	MCF-85X	MCF-85
<b>CF30-2</b>	<b>CF30-2R</b>	<b>2 220</b>	30	90	35	M30×1.5	100	1	45 370	85 060	—	—	KR90X	KR90	CF30-2	CF30-2R	MCFR-90X	MCFR-90
<b>CF30-2V</b>	<b>CF30-2VR</b>	<b>2 220</b>	30	90	35	M30×1.5	100	1	67 620	144 060	—	—	KRV90X	KRV90	CF30-2V	CF30-2VR	MCF-90X	MCF-90

Stud diameter (d) 5 to 10mm : Without oil hole in the thread side.(except "K" type)



## CF..UU, UUR

DIMENSION TABLE

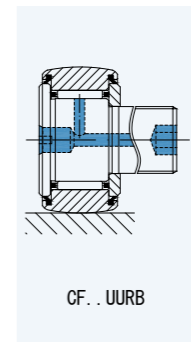
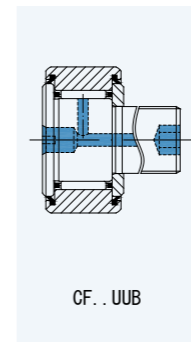
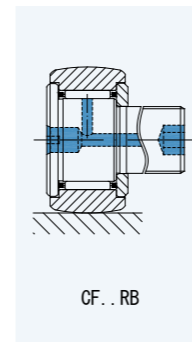
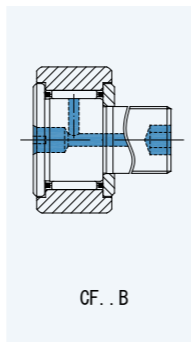
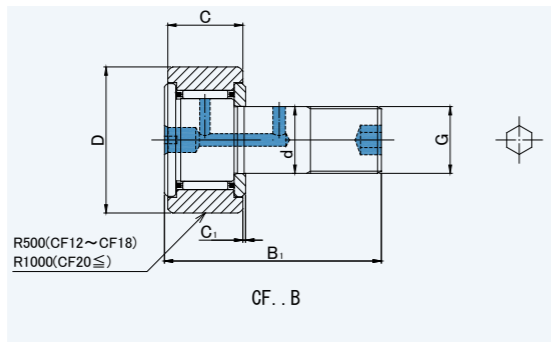
INTERCHANGE TABLE

JNS NUMBER CYLINDRICAL OUTER RING	JNS NUMBER CROWNED OUTER RING	Mass (Approx.) g	Dimensions(mm)						Basic dynamic load rating Cr N	Basic static load rating Cor N	INA		NTN		IKO		MCGILL	
			d	D	C	G	B1	C1			CYLINDRICAL OUTER RING	CROWNED OUTER RING	CYLINDRICAL OUTER RING	CROWNED OUTER RING	CYLINDRICAL OUTER RING	CROWNED OUTER RING	CYLINDRICAL OUTER RING	CROWNED OUTER RING
CF..UU	CF..UUR										KR-PPX	KR-PP	KR-LLX	KR-LL	CF	CF..R	MCFR-SX	MCFR-S
CF5UU	CF5UUR	10.5	5	13	9	M5×0.8	23	0.5	3 140	2 770	—	—	—	—	CF5UU	CF5UUR	MCFR-13SX	MCFR-13S
CF5VUU	CF5VUUR	10.5	5	13	9	M5×0.8	23	0.5	5 100	5 500	—	—	—	—	CF5VUU	CF5VUUR	MCF-13SX	MCF-13S
CF6UU	CF6UUR	18.5	6	16	11	M6×1	28	0.6	3 630	3 630	KR16PPX	KR16PP	KR16XLL	KR16LL	CF6UU	CF6UUR	MCFR-16SX	MCFR-16S
CF6VUU	CF6VUUR	18.5	6	16	11	M6×1	28	0.6	6 960	8 530	KRV16PPX	KRV16PP	KRV16XLL	KRV16LL	CF6VUU	CF6VUUR	MCF-16SX	MCF-16S
CF8UU	CF8UUR	28.5	8	19	11	M8×1.25	32	0.6	4 310	4 710	KR19PPX	KR19PP	KR19XLL	KR19LL	CF8UU	CF8UUR	MCFR-19SX	MCFR-19S
CF8VUU	CF8VUUR	28.5	8	19	11	M8×1.25	32	0.6	8 130	11 170	KRV19PPX	KRV19PP	KRV19XLL	KRV19LL	CF8VUU	CF8VUUR	MCF-19SX	MCF-19S
CF10UU	CF10UUR	45	10	22	12	M10×1.25	36	0.6	5 390	6 860	—	—	KR22XLL	KR22LL	CF10UU	CF10UUR	MCFR-22SXA	MCFR-22SA
CF10VUU	CF10VUUR	45	10	22	12	M10×1.25	36	0.6	9 510	14 500	—	—	KRV22XLL	KRV22LL	CF10VUU	CF10VUUR	MCF-22SXA	MCF-22SA
CF10UUK	CF10UURK	45	10	22	12	M10×1	36	0.6	5 390	6 860	—	—	—	—	CF10UUM	CF10UURM	MCFR-22SX	MCFR-22S
CF10VUUK	CF10VUURK	45	10	22	12	M10×1	36	0.6	9 510	14 500	—	—	—	—	CF10VUUM	CF10VUURM	MCF-22SX	MCF-22S
CF10-1UU	CF10-1UUR	60	10	26	12	M10×1.25	36	0.6	5 390	6 860	—	—	KR26XLL	KR26LL	CF10-1UU	CF10-1UUR	MCFR-26SXA	MCFR-26SA
CF10-1VUU	CF10-1VUUR	60	10	26	12	M10×1.25	36	0.6	9 510	14 500	—	—	KRV26XLL	KRV26LL	CF10-1VUU	CF10-1VUUR	MCF-26SXA	MCF-26SA
CF10-1UUK	CF10-1UURK	60	10	26	12	M10×1	36	0.6	5 390	6 860	—	—	—	—	CF10-1UUM	CF10-1UURM	MCFR-26SX	MCFR-26S
CF10-1VUUK	CF10-1VUURK	60	10	26	12	M10×1	36	0.6	9 510	14 500	—	—	—	—	CF10-1VUUM	CF10-1VUURM	MCF-26SX	MCF-26S
CF12UU	CF12UUR	95	12	30	14	M12×1.5	40	0.6	7 940	9 800	—	—	KR30XLL	KR30LL	CF12UU	CF12UUR	MCFR-30SX	MCFR-30S
CF12VUU	CF12VUUR	95	12	30	14	M12×1.5	40	0.6	13 430	19 700	—	—	KRV30XLL	KRV30LL	CF12VUU	CF12VUUR	MCF-30SX	MCF-30S
CF12-1UU	CF12-1UUR	105	12	32	14	M12×1.5	40	0.6	7 940	9 800	—	—	KR32XLL	KR32LL	CF12-1UU	CF12-1UUR	MCFR-32SX	MCFR-32S
CF12-1VUU	CF12-1VUUR	105	12	32	14	M12×1.5	40	0.6	13 430	19 700	—	—	KRV32XLL	KRV32LL	CF12-1VUU	CF12-1VUUR	MCF-32SX	MCF-32S
CF16UU	CF16UUR	170	16	35	18	M16×1.5	52	0.8	12 050	18 330	—	—	KR35XLL	KR35LL	CF16UU	CF16UUR	MCFR-35SX	MCFR-35S
CF16VUU	CF16VUUR	170	16	35	18	M16×1.5	52	0.8	20 680	37 630	—	—	KRV35XLL	KRV35LL	CF16VUU	CF16VUUR	MCF-35SX	MCF-35S
CF18UU	CF18UUR	250	18	40	20	M18×1.5	58	0.8	14 700	25 200	—	—	KR40XLL	KR40LL	CF18UU	CF18UUR	MCFR-40SXA	MCFR-40SA
CF18VUU	CF18VUUR	250	18	40	20	M18×1.5	58	0.8	25 280	51 350	—	—	KRV40XLL	KRV40LL	CF18VUU	CF18VUUR	MCF-40SXA	MCF-40SA
CF20UU	CF20UUR	460	20	52	24	M20×1.5	66	0.8	20 680	34 600	—	—	KR52XLL	KR52LL	CF20UU	CF20UUR	MCFR-52SXA	MCFR-52SA
CF20VUU	CF20VUUR	460	20	52	24	M20×1.5	66	0.8	33 120	64 480	—	—	KRV52XLL	KRV52LL	CF20VUU	CF20VUUR	MCF-52SXA	MCF-52SA
CF20-1UU	CF20-1UUR	385	20	47	24	M20×1.5	66	0.8	20 680	34 600	—	—	KR47XLL	KR47LL	CF20-1UU	CF20-1UUR	MCFR-47SXA	MCFR-47SA
CF20-1VUU	CF20-1VUUR	385	20	47	24	M20×1.5	66	0.8	33 120	64 480	—	—	KRV47XLL	KRV47LL	CF20-1VUU	CF20-1VUUR	MCF-47SXA	MCF-47SA
CF24UU	CF24UUR	815	24	62	29	M24×1.5	80	0.8	30 480	52 630	—	—	KR62XLL	KR62LL	CF24UU	CF24UUR	MCFR-62SXA	MCFR-62SA
CF24VUU	CF24VUUR	815	24	62	29	M24×1.5	80	0.8	46 550	92 020	—	—	KRV62XLL	KRV62LL	CF24VUU	CF24VUUR	MCF-62SXA	MCF-62SA
CF24-1UU	CF24-1UUR	1 140	24	72	29	M24×1.5	80	0.8	30 480	52 630	—	—	KR72XLL	KR72LL	CF24-1UU	CF24-1UUR	MCFR-72SXA	MCFR-72SA
CF24-1VUU	CF24-1VUUR	1 140	24	72	29	M24×1.5	80	0.8	46 550	92 020	—	—	KRV72XLL	KRV72LL	CF24-1VUU	CF24-1VUUR	MCF-72SXA	MCF-72SA
CF30UU	CF30UUR	1 870	30	80	35	M30×1.5	100	1	45 370	85 060	—	—	KR80XLL	KR80LL	CF30UU	CF30UUR	MCFR-80SX	MCFR-80S
CF30VUU	CF30VUUR	1 870	30	80	35	M30×1.5	100	1	67 620	144 060	—	—	KRV80XLL	KRV80LL	CF30VUU	CF30VUUR	MCF-80SX	MCF-80S
CF30-1UU	CF30-1UUR	2 030	30	85	35	M30×1.5	100	1	45 370	85 060	—	—	KR85XLL	KR85LL	CF30-1UU	CF30-1UUR	MCFR-85SX	MCFR-85S
CF30-1VUU	CF30-1VUUR	2 030	30	85	35	M30×1.5	100	1	67 620	144 060	—	—	KRV85XLL	KRV85LL	CF30-1VUU	CF30-1VUUR	MCF-85SX	MCF-85S
CF30-2UU	CF30-2UUR	2 220	30	90	35	M30×1.5	100	1	45 370	85 060	—	—	KR90XLL	KR90LL	CF30-2UU	CF30-2UUR	MCFR-90SX	MCFR-90S
CF30-2VUU	CF30-2VUUR	2 220	30	90	35	M30×1.5	100	1	67 620	144 060	—	—	KRV90XLL	KRV90LL	CF30-2VUU	CF30-2VUUR	MCF-90SX	MCF-90S

Stud diameter (d) 5 to 10mm : Without oil hole in the thread side.(except "K" type)

# CAM FOLLOWERS

## HEXAGON SOCKET ON THREAD SIDE SCREWDRIVER SLOT HEAD



# CF..B, RB, UUB, UURB

## CF..B, RB, UUB, UURB

DIMENSION TABLE

INTERCHANGE TABLE

JNS NUMBER CYLINDRICAL OUTER RING WITHOUT SEALS	JNS NUMBER CROWNED OUTER RING WITHOUT SEALS	JNS NUMBER CYLINDRICAL OUTER RING WITH SEALS	JNS NUMBER CROWNED OUTER RING WITH SEALS	Mass (Approx.)	Dimensions(mm)						Basic dynamic load rating	Basic static load rating	INA		NTN		IKO		MCGILL	
					d	D	C	G	B1	C1			Cr N	Cor N	CYLINDRICAL OUTER RING WITHOUT SEALS	CROWNED OUTER RING WITHOUT SEALS	CYLINDRICAL OUTER RING WITHOUT SEALS	CROWNED OUTER RING WITHOUT SEALS	CYLINDRICAL OUTER RING WITHOUT SEALS	CROWNED OUTER RING WITHOUT SEALS
CF..B	CF..RB	CF..UUB	CF..UURB	g	d	D	C	G	B1	C1	Cr N	Cor N	—	—	—	—	—	—	—	—
CF12B	CF12RB	CF12UUB	CF12UURB	95	12	30	14	M12×1.5	40	0.6	7 940	9 800	—	—	—	—	—	—	—	—
CF12VB	CF12VRB	CF12VUUB	CF12VUURB	95	12	30	14	M12×1.5	40	0.6	13 430	19 700	—	—	—	—	—	—	—	—
CF12-1B	CF12-1RB	CF12-1UUB	CF12-1UURB	105	12	32	14	M12×1.5	40	0.6	7 940	9 800	—	—	—	—	—	—	—	—
CF12-1VB	CF12-1VRB	CF12-1VUUB	CF12-1VUURB	105	12	32	14	M12×1.5	40	0.6	13 430	19 700	—	—	—	—	—	—	—	—
CF16B	CF16RB	CF16UUB	CF16UURB	170	16	35	18	M16×1.5	52	0.8	12 050	18 330	—	—	—	—	—	—	—	—
CF16VB	CF16VRB	CF16VUUB	CF16VUURB	170	16	35	18	M16×1.5	52	0.8	20 680	37 630	—	—	—	—	—	—	—	—
CF18B	CF18RB	CF18UUB	CF18UURB	250	18	40	20	M18×1.5	58	0.8	14 700	25 200	—	—	—	—	—	—	—	—
CF18VB	CF18VRB	CF18VUUB	CF18VUURB	250	18	40	20	M18×1.5	58	0.8	25 280	51 350	—	—	—	—	—	—	—	—
CF20B	CF20RB	CF20UUB	CF20UURB	460	20	52	24	M20×1.5	66	0.8	20 680	34 600	—	—	—	—	—	—	—	—
CF20VB	CF20VRB	CF20VUUB	CF20VUURB	460	20	52	24	M20×1.5	66	0.8	33 120	64 480	—	—	—	—	—	—	—	—
CF20-1B	CF20-1RB	CF20-1UUB	CF20-1UURB	385	20	47	24	M20×1.5	66	0.8	20 680	34 600	—	—	—	—	—	—	—	—
CF20-1VB	CF20-1VRB	CF20-1VUUB	CF20-1VUURB	385	20	47	24	M20×1.5	66	0.8	33 120	64 480	—	—	—	—	—	—	—	—
CF24B	CF24RB	CF24UUB	CF24UURB	815	24	62	29	M24×1.5	80	0.8	30 480	52 630	—	—	—	—	—	—	—	—
CF24VB	CF24VRB	CF24VUUB	CF24VUURB	815	24	62	29	M24×1.5	80	0.8	46 550	92 020	—	—	—	—	—	—	—	—
CF24-1B	CF24-1RB	CF24-1UUB	CF24-1UURB	1 140	24	72	29	M24×1.5	80	0.8	30 480	52 630	—	—	—	—	—	—	—	—
CF24-1VB	CF24-1VRB	CF24-1VUUB	CF24-1VUURB	1 140	24	72	29	M24×1.5	80	0.8	46 550	92 020	—	—	—	—	—	—	—	—
CF30B	CF30RB	CF30UUB	CF30UURB	1 870	30	80	35	M30×1.5	100	1	45 370	85 060	—	—	—	—	—	—	—	—
CF30VB	CF30VRB	CF30VUUB	CF30VUURB	1 870	30	80	35	M30×1.5	100	1	67 620	144 060	—	—	—	—	—	—	—	—
CF30-1B	CF30-1RB	CF30-1UUB	CF30-1UURB	2 030	30	85	35	M30×1.5	100	1	45 370	85 060	—	—	—	—	—	—	—	—
CF30-1VB	CF30-1VRB	CF30-1VUUB	CF30-1VUURB	2 030	30	85	35	M30×1.5	100	1	67 620	144 060	—	—	—	—	—	—	—	—
CF30-2B	CF30-2RB	CF30-2UUB	CF30-2UURB	2 220	30	90	35	M30×1.5	100	1	45 370	85 060	—	—	—	—	—	—	—	—
CF30-2VB	CF30-2VRB	CF30-2VUUB	CF30-2VUURB	2 220	30	90	35	M30×1.5	100	1	67 620	144 060	—	—	—	—	—	—	—	—

INTERCHANGE

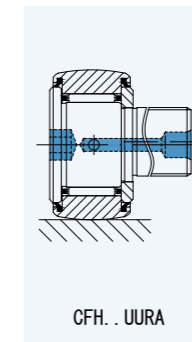
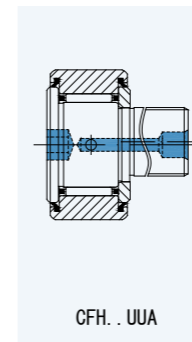
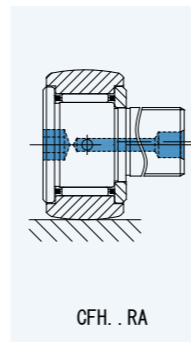
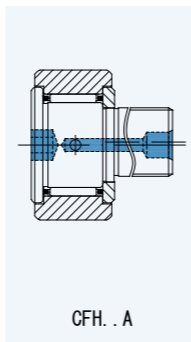
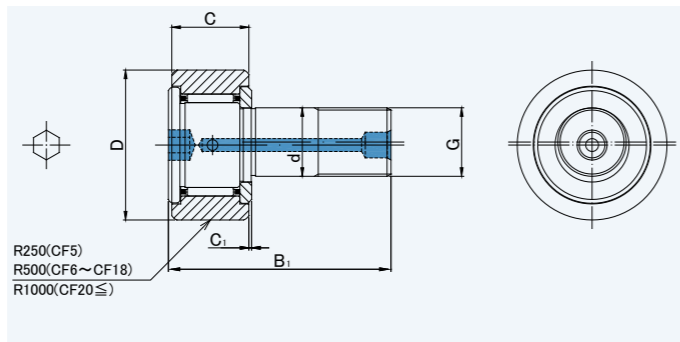
INTERCHANGE



# CAM FOLLOWERS

## SOLID ECCENTRIC TYPE

### HEXAGON SOCKET ON STUD HEAD



# CFH..A, RA, UUA, UURA

## CFH..A, RA, UUA, UURA

DIMENSION TABLE

INTERCHANGE TABLE

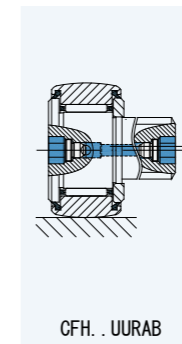
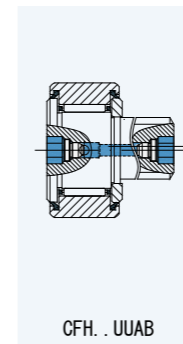
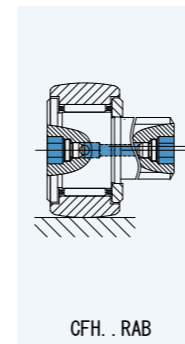
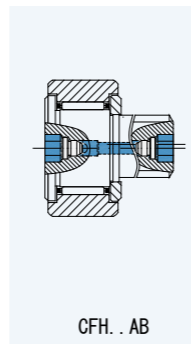
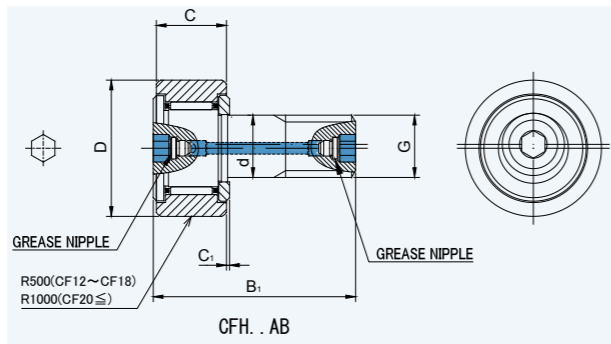
JNS NUMBER CYLINDRICAL OUTER RING WITHOUT SEALS	JNS NUMBER CROWNED OUTER RING WITHOUT SEALS	JNS NUMBER CYLINDRICAL OUTER RING WITH SEALS	JNS NUMBER CROWNED OUTER RING WITH SEALS	Mass (Approx.)	Dimensions(mm)						Basic dynamic load rating	Basic static load rating	INA		NTN		IKO				MCGILL	
					d	D	C	G	B1	C1			Cr N	Cor N	CYLINDRICAL OUTER RING WITHOUT SEALS	CROWNED OUTER RING WITHOUT SEALS	CYLINDRICAL OUTER RING WITHOUT SEALS	CROWNED OUTER RING WITHOUT SEALS	CYLINDRICAL OUTER RING WITH SEALS	CROWNED OUTER RING WITH SEALS	CYLINDRICAL OUTER RING WITHOUT SEALS	CROWNED OUTER RING WITHOUT SEALS
CFH..A	CFH..RA	CFH..UUA	CFH..UURA	g	d	D	C	G	B1	C1	Cr N	Cor N	—	—	—	—	CFES-B	CFES-BR	CFES-BUU	CFES-BUUR	—	—
CFH5A	CFH5RA	CFH5UUA	CFH5UURA	10.5	5	13	9	M5×0.8	23	0.5	3 140	2 770	—	—	—	—	—	—	—	—	—	—
CFH5VA	CFH5VRA	CFH5VUUA	CFH5VUURA	10.5	5	13	9	M5×0.8	23	0.5	5 100	5 500	—	—	—	—	—	—	—	—	—	—
CFH6A	CFH6RA	CFH6UUA	CFH6UURA	18.5	6	16	11	M6×1	28	0.6	3 630	3 630	—	—	—	—	CFES6B	CFES6BR	CFES6BUU	CFES6BUUR	—	—
CFH6VA	CFH6VRA	CFH6VUUA	CFH6VUURA	18.5	6	16	11	M6×1	28	0.6	6 960	8 530	—	—	—	—	—	—	—	—	—	—
CFH8A	CFH8RA	CFH8UUA	CFH8UURA	28.5	8	19	11	M8×1.25	32	0.6	4 310	4 710	—	—	—	—	CFES8B	CFES8BR	CFES8BUU	CFES8BUUR	—	—
CFH8VA	CFH8VRA	CFH8VUUA	CFH8VUURA	28.5	8	19	11	M8×1.25	32	0.6	8 130	11 170	—	—	—	—	—	—	—	—	—	—
CFH10A	CFH10RA	CFH10UUA	CFH10UURA	45	10	22	12	M10×1.25	36	0.6	5 390	6 860	—	—	—	—	CFES10B	CFES10BR	CFES10BUU	CFES10BUUR	—	—
CFH10VA	CFH10VRA	CFH10VUUA	CFH10VUURA	45	10	22	12	M10×1.25	36	0.6	9 510	14 500	—	—	—	—	—	—	—	—	—	—
CFH10-1A	CFH10-1RA	CFH10-1UUA	CFH10-1UURA	60	10	26	12	M10×1.25	36	0.6	5 390	6 860	—	—	—	—	CFES10-1B	CFES10-1BR	CFES10-1BUU	CFES10-1BUUR	—	—
CFH10-1VA	CFH10-1VRA	CFH10-1VUUA	CFH10-1VUURA	60	10	26	12	M10×1.25	36	0.6	9 510	14 500	—	—	—	—	—	—	—	—	—	—
CFH12A	CFH12RA	CFH12UUA	CFH12UURA	95	12	30	14	M12×1.5	40	0.6	7 940	9 800	—	—	—	—	CFES12B	CFES12BR	CFES12BUU	CFES12BUUR	—	—
CFH12VA	CFH12VRA	CFH12VUUA	CFH12VUURA	95	12	30	14	M12×1.5	40	0.6	13 430	19 700	—	—	—	—	—	—	—	—	—	—
CFH12-1A	CFH12-1RA	CFH12-1UUA	CFH12-1UURA	105	12	32	14	M12×1.5	40	0.6	7 940	9 800	—	—	—	—	CFES12-1B	CFES12-1BR	CFES12-1BUU	CFES12-1BUUR	—	—
CFH12-1VA	CFH12-1VRA	CFH12-1VUUA	CFH12-1VUURA	105	12	32	14	M12×1.5	40	0.6	13 430	19 700	—	—	—	—	—	—	—	—	—	—
CFH16A	CFH16RA	CFH16UUA	CFH16UURA	170	16	35	18	M16×1.5	52	0.8	12 050	18 330	—	—	—	—	CFES16B	CFES16BR	CFES16BUU	CFES16BUUR	—	—
CFH16VA	CFH16VRA	CFH16VUUA	CFH16VUURA	170	16	35	18	M16×1.5	52	0.8	20 680	37 630	—	—	—	—	—	—	—	—	—	—
CFH18A	CFH18RA	CFH18UUA	CFH18UURA	250	18	40	20	M18×1.5	58	0.8	14 700	25 200	—	—	—	—	CFES18B	CFES18BR	CFES18BUU	CFES18BUUR	—	—
CFH18VA	CFH18VRA	CFH18VUUA	CFH18VUURA	250	18	40	20	M18×1.5	58	0.8	25 280	51 350	—	—	—	—	—	—	—	—	—	—
CFH20A	CFH20RA	CFH20UUA	CFH20UURA	460	20	52	24	M20×1.5	66	0.8	20 680	34 600	—	—	—	—	—	—	—	—	—	—
CFH20VA	CFH20VRA	CFH20VUUA	CFH20VUURA	460	20	52	24	M20×1.5	66	0.8	33 120	64 480	—	—	—	—	—	—	—	—	—	—
CFH20-1A	CFH20-1RA	CFH20-1UUA	CFH20-1UURA	385	20	47	24	M20×1.5	66	0.8	20 680	34 600	—	—	—	—	—	—	—	—	—	—
CFH20-1VA	CFH20-1VRA	CFH20-1VUUA	CFH20-1VUURA	385	20	47	24	M20×1.5	66	0.8	33 120	64 480	—	—	—	—	—	—	—	—	—	—
CFH24A	CFH24RA	CFH24UUA	CFH24UURA	815	24	62	29	M24×1.5	80	0.8	30 480	52 630	—	—	—	—	—	—	—	—	—	—
CFH24VA	CFH24VRA	CFH24VUUA	CFH24VUURA	815	24	62	29	M24×1.5	80	0.8	46 550	92 020	—	—	—	—	—	—	—	—	—	—
CFH24-1A	CFH24-1RA	CFH24-1UUA	CFH24-1UURA	1 140	24	72	29	M24×1.5	80	0.8	30 480	52 630	—	—	—	—	—	—	—	—	—	—
CFH24-1VA	CFH24-1VRA	CFH24-1VUUA	CFH24-1VUURA	1 140	24	72	29	M24×1.5	80	0.8	46 550	92 020	—	—	—	—	—	—	—	—	—	—
CFH30A	CFH30RA	CFH30UUA	CFH30UURA	1 870	30	80	35	M30×1.5	100	1	45 370	85 060	—	—	—	—	—	—	—	—	—	—
CFH30VA	CFH30VRA	CFH30VUUA	CFH30VUURA	1 870	30	80	35	M30×1.5	100	1	67 620	144 060	—	—	—	—	—	—	—	—	—	—
CFH30-1A	CFH30-1RA	CFH30-1UUA	CFH30-1UURA	2 030	30	85	35	M30×1.5	100	1	45 370	85 060	—	—	—	—	—	—	—	—	—	—
CFH30-1VA	CFH30-1VRA	CFH30-1VUUA	CFH30-1VUURA	2 030	30	85	35	M30×1.5	100	1	67 620	144 060	—	—	—	—	—	—	—	—	—	—
CFH30-2A	CFH30-2RA	CFH30-2UUA	CFH30-2UURA	2 220	30	90	35	M30×1.5	100	1	45 370	85 060	—	—	—	—	—	—	—	—	—	—
CFH30-2VA	CFH30-2VRA	CFH30-2VUUA	CFH30-2VUURA	2 220	30	90	35	M30×1.5	100	1	67 620	144 060	—	—	—	—	—	—	—	—	—	—

Stud diameter (d) 5 to 10mm : No grease refilling hole is provided

INTERCHANGE

INTERCHANGE

**CAM FOLLOWERS**  
SOLID ECCENTRIC TYPE  
HEXAGON SOCKET ON BOTH SIDES  
GREASE NIPPLE INSTALLED



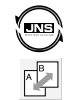
**CFH..AB, RAB, UUAB, UURAB**

**CFH..AB, RAB, UUAB, UURAB**

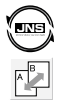
DIMENSION TABLE

INTERCHANGE TABLE

JNS NUMBER CYLINDRICAL OUTER RING WITHOUT SEALS	JNS NUMBER CROWNED OUTER RING WITHOUT SEALS	JNS NUMBER CYLINDRICAL OUTER RING WITH SEALS	JNS NUMBER CROWNED OUTER RING WITH SEALS	Mass (Approx.) g	Dimensions(mm)						Basic dynamic load rating Cr N	Basic static load rating Cor N	INA		NTN		IKO		MCGILL	
					d	D	C	G	B1	C1			CYLINDRICAL OUTER RING WITHOUT SEALS	CROWNED OUTER RING WITHOUT SEALS	CYLINDRICAL OUTER RING WITHOUT SEALS	CROWNED OUTER RING WITHOUT SEALS	CYLINDRICAL OUTER RING WITHOUT SEALS	CROWNED OUTER RING WITHOUT SEALS	CYLINDRICAL OUTER RING WITHOUT SEALS	CROWNED OUTER RING WITHOUT SEALS
CFH..AB	CFH..RAB	CFH..UUAB	CFH..UURAB										—	—	—	—	—	—	—	—
CFH12AB	CFH12RAB	CFH12UUAB	CFH12UURAB	95	12	30	14	M12×1.5	40	0.6	7 940	9 800	—	—	—	—	—	—	—	—
CFH12VAB	CFH12VRAB	CFH12VUUAB	CFH12VUURAB	95	12	30	14	M12×1.5	40	0.6	13 430	19 700	—	—	—	—	—	—	—	—
CFH12-1AB	CFH12-1RAB	CFH12-1UUAB	CFH12-1UURAB	105	12	32	14	M12×1.5	40	0.6	7 940	9 800	—	—	—	—	—	—	—	—
CFH12-1VAB	CFH12-1VRAB	CFH12-1VUUAB	CFH12-1VUURAB	105	12	32	14	M12×1.5	40	0.6	13 430	19 700	—	—	—	—	—	—	—	—
CFH16AB	CFH16RAB	CFH16UUAB	CFH16UURAB	170	16	35	18	M16×1.5	52	0.8	12 050	18 330	—	—	—	—	—	—	—	—
CFH16VAB	CFH16VRAB	CFH16VUUAB	CFH16VUURAB	170	16	35	18	M16×1.5	52	0.8	20 680	37 630	—	—	—	—	—	—	—	—
CFH18AB	CFH18RAB	CFH18UUAB	CFH18UURAB	250	18	40	20	M18×1.5	58	0.8	14 700	25 200	—	—	—	—	—	—	—	—
CFH18VAB	CFH18VRAB	CFH18VUUAB	CFH18VUURAB	250	18	40	20	M18×1.5	58	0.8	25 280	51 350	—	—	—	—	—	—	—	—
CFH20AB	CFH20RAB	CFH20UUAB	CFH20UURAB	460	20	52	24	M20×1.5	66	0.8	20 680	34 600	—	—	—	—	—	—	—	—
CFH20VAB	CFH20VRAB	CFH20VUUAB	CFH20VUURAB	460	20	52	24	M20×1.5	66	0.8	33 120	64 480	—	—	—	—	—	—	—	—
CFH20-1AB	CFH20-1RAB	CFH20-1UUAB	CFH20-1UURAB	385	20	47	24	M20×1.5	66	0.8	20 680	34 600	—	—	—	—	—	—	—	—
CFH20-1VAB	CFH20-1VRAB	CFH20-1VUUAB	CFH20-1VUURAB	385	20	47	24	M20×1.5	66	0.8	33 120	64 480	—	—	—	—	—	—	—	—
CFH24AB	CFH24RAB	CFH24UUAB	CFH24UURAB	815	24	62	29	M24×1.5	80	0.8	30 480	52 630	—	—	—	—	—	—	—	—
CFH24VAB	CFH24VRAB	CFH24VUUAB	CFH24VUURAB	815	24	62	29	M24×1.5	80	0.8	46 550	92 020	—	—	—	—	—	—	—	—
CFH24-1AB	CFH24-1RAB	CFH24-1UUAB	CFH24-1UURAB	1 140	24	72	29	M24×1.5	80	0.8	30 480	52 630	—	—	—	—	—	—	—	—
CFH24-1VAB	CFH24-1VRAB	CFH24-1VUUAB	CFH24-1VUURAB	1 140	24	72	29	M24×1.5	80	0.8	46 550	92 020	—	—	—	—	—	—	—	—
CFH30AB	CFH30RAB	CFH30UUAB	CFH30UURAB	1 870	30	80	35	M30×1.5	100	1	45 370	85 060	—	—	—	—	—	—	—	—
CFH30VAB	CFH30VRAB	CFH30VUUAB	CFH30VUURAB	1 870	30	80	35	M30×1.5	100	1	67 620	144 060	—	—	—	—	—	—	—	—
CFH30-1AB	CFH30-1RAB	CFH30-1UUAB	CFH30-1UURAB	2 030	30	85	35	M30×1.5	100	1	45 370	85 060	—	—	—	—	—	—	—	—
CFH30-1VAB	CFH30-1VRAB	CFH30-1VUUAB	CFH30-1VUURAB	2 030	30	85	35	M30×1.5	100	1	67 620	144 060	—	—	—	—	—	—	—	—
CFH30-2AB	CFH30-2RAB	CFH30-2UUAB	CFH30-2UURAB	2 220	30	90	35	M30×1.5	100	1	45 370	85 060	—	—	—	—	—	—	—	—
CFH30-2VAB	CFH30-2VRAB	CFH30-2VUUAB	CFH30-2VUURAB	2 220	30	90	35	M30×1.5	100	1	67 620	144 060	—	—	—	—	—	—	—	—



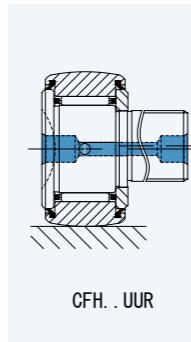
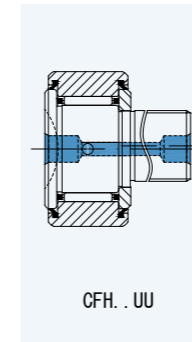
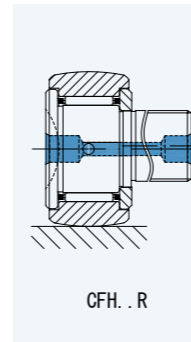
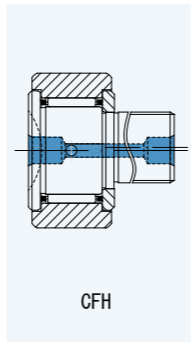
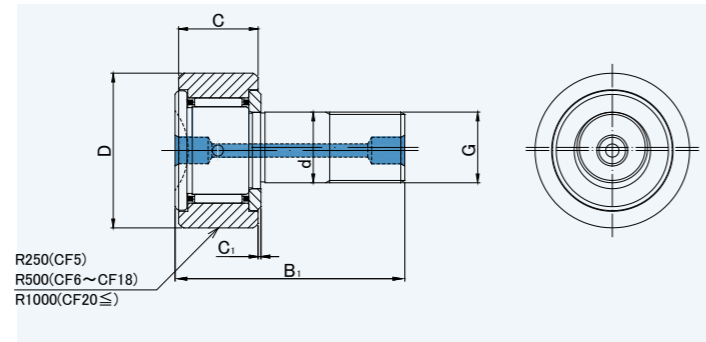
INTERCHANGE



INTERCHANGE

# CAM FOLLOWERS

## SOLID ECCENTRIC TYPE SCREWDRIVER SLOT HEAD



# CFH, R, UU, UUR

## CFH, R, UU, UUR

DIMENSION TABLE

INTERCHANGE TABLE

JNS NUMBER CYLINDRICAL OUTER RING WITHOUT SEALS	JNS NUMBER CROWNED OUTER RING WITHOUT SEALS	JNS NUMBER CYLINDRICAL OUTER RING WITH SEALS	JNS NUMBER CROWNED OUTER RING WITH SEALS	Mass (Approx.) g	Dimensions(mm)						Basic dynamic load rating Cr N	Basic static load rating Cor N	INA				NTN				IKO				MCGILL	
					d	D	C	G	B1	C1			CYLINDRICAL OUTER RING WITHOUT SEALS	CROWNED OUTER RING WITHOUT SEALS	CYLINDRICAL OUTER RING WITHOUT SEALS	CROWNED OUTER RING WITHOUT SEALS	CYLINDRICAL OUTER RING WITH SEALS	CROWNED OUTER RING WITH SEALS	CYLINDRICAL OUTER RING WITHOUT SEALS	CROWNED OUTER RING WITHOUT SEALS	CYLINDRICAL OUTER RING WITH SEALS	CROWNED OUTER RING WITH SEALS	CYLINDRICAL OUTER RING WITHOUT SEALS	CROWNED OUTER RING WITHOUT SEALS		
CFH	CFH..R	CFH..UU	CFH..UUR		d	D	C	G	B1	C1			—	—	KRU..X	KRU	KRU..LLX	KRU..LL	CFES	CFES..R	CFES-UU	CFES-UUR	—	—		
CFH5	CFH5R	CFH5UU	CFH5UUR	10.5	5	13	9	M5x0.8	23	0.5	3 140	2 770	—	—	—	—	—	—	—	—	—	—	—	—	—	
CFH5V	CFH5VR	CFH5VUU	CFH5VUUR	10.5	5	13	9	M5x0.8	23	0.5	5 100	5 500	—	—	—	—	—	—	—	—	—	—	—	—	—	
CFH6	CFH6R	CFH6UU	CFH6UUR	18.5	6	16	11	M6x1	28	0.6	3 630	3 630	—	—	KRU16X	KRU16	KRU16LLX/3AS	KRU16LL/3AS/3AS	CFES6	CFES6R	CFES6UU	CFES6UUR	—	—		
CFH6V	CFH6VR	CFH6VUU	CFH6VUUR	18.5	6	16	11	M6x1	28	0.6	6 960	8 530	—	—	—	—	—	—	—	—	—	—	—	—	—	
CFH8	CFH8R	CFH8UU	CFH8UUR	28.5	8	19	11	M8x1.25	32	0.6	4 310	4 710	—	—	KRU19X	KRU19	KRU19LLX/3AS	KRU19LL/3AS/3AS	CFES8	CFES8R	CFES8UU	CFES8UUR	—	—		
CFH8V	CFH8VR	CFH8VUU	CFH8VUUR	28.5	8	19	11	M8x1.25	32	0.6	8 130	11 170	—	—	—	—	—	—	—	—	—	—	—	—	—	
CFH10	CFH10R	CFH10UU	CFH10UUR	45	10	22	12	M10x1.25	36	0.6	5 390	6 860	—	—	KRU22X	KRU22	KRU22LLX/3AS	KRU22LL/3AS/3AS	CFES10	CFES10R	CFES10UU	CFES10UUR	—	—		
CFH10V	CFH10VR	CFH10VUU	CFH10VUUR	45	10	22	12	M10x1.25	36	0.6	9 510	14 500	—	—	—	—	—	—	—	—	—	—	—	—	—	
CFH10-1	CFH10-1R	CFH10-1UU	CFH10-1UUR	60	10	26	12	M10x1.25	36	0.6	5 390	6 860	—	—	KRU26X	KRU26	KRU26LLX/3AS	KRU26LL/3AS/3AS	CFES10-1	CFES10-1R	CFES10-1UU	CFES10-1UUR	—	—		
CFH10-1V	CFH10-1VR	CFH10-1VUU	CFH10-1VUUR	60	10	26	12	M10x1.25	36	0.6	9 510	14 500	—	—	—	—	—	—	—	—	—	—	—	—	—	
CFH12	CFH12R	CFH12UU	CFH12UUR	95	12	30	14	M12x1.5	40	0.6	7 940	9 800	—	—	KRU30X	KRU30	KRU30LLX/3AS	KRU30LL/3AS/3AS	CFES12	CFES12R	CFES12UU	CFES12UUR	—	—		
CFH12V	CFH12VR	CFH12VUU	CFH12VUUR	95	12	30	14	M12x1.5	40	0.6	13 430	19 700	—	—	—	—	—	—	—	—	—	—	—	—	—	
CFH12-1	CFH12-1R	CFH12-1UU	CFH12-1UUR	105	12	32	14	M12x1.5	40	0.6	7 940	9 800	—	—	KRU32X	KRU32	KRU32LLX/3AS	KRU32LL/3AS/3AS	CFES12-1	CFES12-1R	CFES12-1UU	CFES12-1UUR	—	—		
CFH12-1V	CFH12-1VR	CFH12-1VUU	CFH12-1VUUR	105	12	32	14	M12x1.5	40	0.6	13 430	19 700	—	—	—	—	—	—	—	—	—	—	—	—	—	
CFH16	CFH16R	CFH16UU	CFH16UUR	170	16	35	18	M16x1.5	52	0.8	12 050	18 330	—	—	KRU35X	KRU35	KRU35LLX/3AS	KRU35LL/3AS/3AS	CFES16	CFES16R	CFES16UU	CFES16UUR	—	—		
CFH16V	CFH16VR	CFH16VUU	CFH16VUUR	170	16	35	18	M16x1.5	52	0.8	20 680	37 630	—	—	—	—	—	—	—	—	—	—	—	—	—	
CFH18	CFH18R	CFH18UU	CFH18UUR	250	18	40	20	M18x1.5	58	0.8	14 700	25 200	—	—	KRU40X	KRU40	KRU40LLX/3AS	KRU40LL/3AS/3AS	CFES18	CFES18R	CFES18UU	CFES18UUR	—	—		
CFH18V	CFH18VR	CFH18VUU	CFH18VUUR	250	18	40	20	M18x1.5	58	0.8	25 280	51 350	—	—	—	—	—	—	—	—	—	—	—	—	—	
CFH20	CFH20R	CFH20UU	CFH20UUR	460	20	52	24	M20x1.5	66	0.8	20 680	34 600	—	—	KRU52X	KRU52	KRU52LLX/3AS	KRU52LL/3AS/3AS	—	—	—	—	—	—	—	
CFH20V	CFH20VR	CFH20VUU	CFH20VUUR	460	20	52	24	M20x1.5	66	0.8	33 120	64 480	—	—	—	—	—	—	—	—	—	—	—	—	—	
CFH20-1	CFH20-1R	CFH20-1UU	CFH20-1UUR	385	20	47	24	M20x1.5	66	0.8	20 680	34 600	—	—	KRU47X	KRU47	KRU47LLX/3AS	KRU47LL/3AS/3AS	—	—	—	—	—	—	—	
CFH20-1V	CFH20-1VR	CFH20-1VUU	CFH20-1VUUR	385	20	47	24	M20x1.5	66	0.8	33 120	64 480	—	—	—	—	—	—	—	—	—	—	—	—	—	
CFH24	CFH24R	CFH24UU	CFH24UUR	815	24	62	29	M24x1.5	80	0.8	30 480	52 630	—	—	KRU62X	KRU62	KRU62LLX/3AS	KRU62LL/3AS/3AS	—	—	—	—	—	—	—	
CFH24V	CFH24VR	CFH24VUU	CFH24VUUR	815	24	62	29	M24x1.5	80	0.8	46 550	92 020	—	—	—	—	—	—	—	—	—	—	—	—	—	
CFH24-1	CFH24-1R	CFH24-1UU	CFH24-1UUR	1 140	24	72	29	M24x1.5	80	0.8	30 480	52 630	—	—	KRU72X	KRU72	KRU72LLX/3AS	KRU72LL/3AS/3AS	—	—	—	—	—	—	—	
CFH24-1V	CFH24-1VR	CFH24-1VUU	CFH24-1VUUR	1 140	24	72	29	M24x1.5	80	0.8	46 550	92 020	—	—	—	—	—	—	—	—	—	—	—	—	—	
CFH30	CFH30R	CFH30UU	CFH30UUR	1 870	30	80	35	M30x1.5	100	1	45 370	85 060	—	—	KRU80X	KRU80	KRU80LLX/3AS	KRU80LL/3AS/3AS	—	—	—	—	—	—	—	
CFH30V	CFH30VR	CFH30VUU	CFH30VUUR	1 870	30	80	35	M30x1.5	100	1	67 620	144 060	—	—	—	—	—	—	—	—	—	—	—	—	—	
CFH30-1	CFH30-1R	CFH30-1UU	CFH30-1UUR	2 030	30	85	35	M30x1.5	100	1	45 370	85 060	—	—	—	—	—	—	—	—	—	—	—	—	—	
CFH30-1V	CFH30-1VR	CFH30-1VUU	CFH30-1VUUR	2 030	30	85	35	M30x1.5	100	1	67 620	144 060	—	—	—	—	—	—	—	—	—	—	—	—	—	
CFH30-2	CFH30-2R	CFH30-2UU	CFH30-2UUR	2 220	30	90	35	M30x1.5	100	1	45 370	85 060	—	—	KRU90X	KRU90	KRU90LLX/3AS	KRU90LL/3AS/3AS	—	—	—	—	—	—	—	
CFH30-2V	CFH30-2VR	CFH30-2VUU	CFH30-2VUUR	2 220	30	90	35	M30x1.5	100	1	67 620	144 060	—	—	—	—	—	—	—	—	—	—	—	—	—	

Stud diameter (d) 5 to 10mm : Without oil hole in the thread side.

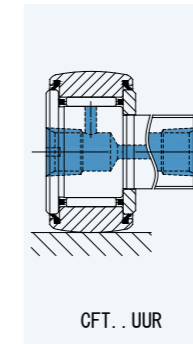
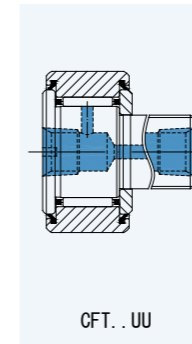
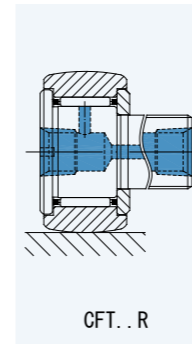
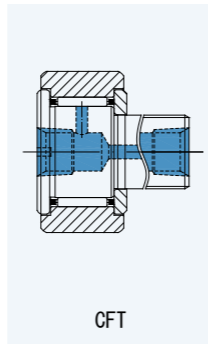
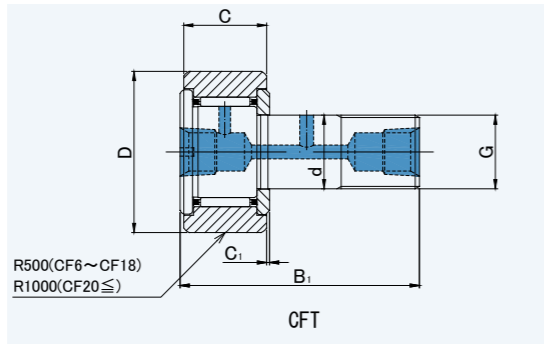
INTERCHANGE

INTERCHANGE

# CAM FOLLOWERS

## TAP HOLE FOR PIPING SCREWDRIVER SLOT HEAD

# CFT, R, UU, UUR



## CFT, R, UU, UUR

DIMENSION TABLE

INTERCHANGE TABLE

JNS NUMBER CYLINDRICAL OUTER RING WITHOUT SEALS	JNS NUMBER CROWNED OUTER RING WITHOUT SEALS	JNS NUMBER CYLINDRICAL OUTER RING WITH SEALS	JNS NUMBER CROWNED OUTER RING WITH SEALS	Mass (Approx.) g	Dimensions(mm)						Basic dynamic load rating Cr N	Basic static load rating Cor N	INA		NTN				IKO				MCGILL	
					d	D	C	G	B1	C1			CYLINDRICAL OUTER RING WITHOUT SEALS	CROWNED OUTER RING WITHOUT SEALS	CYLINDRICAL OUTER RING WITHOUT SEALS	CROWNED OUTER RING WITHOUT SEALS	CYLINDRICAL OUTER RING WITH SEALS	CROWNED OUTER RING WITH SEALS	CYLINDRICAL OUTER RING WITHOUT SEALS	CROWNED OUTER RING WITHOUT SEALS	CYLINDRICAL OUTER RING WITH SEALS	CROWNED OUTER RING WITH SEALS	CYLINDRICAL OUTER RING WITHOUT SEALS	CROWNED OUTER RING WITHOUT SEALS
CFT	CFT..R	CFT..UU	CFT..UUR		d	D	C	G	B1	C1	Cr N	Cor N	—	—	KRT-X	KRT	KRT-XLL	KRT-LL	—	—	CF-FU1	CF-RU1	—	—
CFT6	CFT6R	CFT6UU	CFT6UUR	18.5	6	16	11	M6×1	28	0.6	3 630	3 630	—	—	KRT16X	KRT16	KRT16XLL	KRT16LL	—	—	CF-FU1-6	CF-RU1-6	—	—
CFT6V	CFT6VR	CFT6VUU	CFT6VUUR	18.5	6	16	11	M6×1	28	0.6	6 960	8 530	—	—	KRVT16X	KRVT16	KRVT16XLL	KRVT16LL	—	—	—	—	—	—
CFT8	CFT8R	CFT8UU	CFT8UUR	28.5	8	19	11	M8×1.25	32	0.6	4 310	4 710	—	—	KRT19X	KRT19	KRT19XLL	KRT19LL	—	—	CF-FU1-8	CF-RU1-8	—	—
CFT8V	CFT8VR	CFT8VUU	CFT8VUUR	28.5	8	19	11	M8×1.25	32	0.6	8 130	11 170	—	—	KRVT19X	KRVT19	KRVT19XLL	KRVT19LL	—	—	—	—	—	—
CFT10	CFT10R	CFT10UU	CFT10UUR	45	10	22	12	M10×1.25	36	0.6	5 390	6 860	—	—	KRT22X	KRT22	KRT22XLL	KRT22LL	—	—	CF-FU1-10	CF-RU1-10	—	—
CFT10V	CFT10VR	CFT10VUU	CFT10VUUR	45	10	22	12	M10×1.25	36	0.6	9 510	14 500	—	—	KRVT22X	KRVT22	KRVT22XLL	KRVT22LL	—	—	—	—	—	—
CFT10-1	CFT10-1R	CFT10-1UU	CFT10-1UUR	60	10	26	12	M10×1.25	36	0.6	5 390	6 860	—	—	KRT26X	KRT26	KRT26XLL	KRT26LL	—	—	CF-FU1-10-1	CF-RU1-10-1	—	—
CFT10-1V	CFT10-1VR	CFT10-1VUU	CFT10-1VUUR	60	10	26	12	M10×1.25	36	0.6	9 510	14 500	—	—	KRVT26X	KRVT26	KRVT26XLL	KRVT26LL	—	—	—	—	—	—
CFT12	CFT12R	CFT12UU	CFT12UUR	95	12	30	14	M12×1.5	40	0.6	7 940	9 800	—	—	KRT30X	KRT30	KRT30XLL	KRT30LL	—	—	CF-FU1-12	CF-RU1-12	—	—
CFT12V	CFT12VR	CFT12VUU	CFT12VUUR	95	12	30	14	M12×1.5	40	0.6	13 430	19 700	—	—	KRVT30X	KRVT30	KRVT30XLL	KRVT30LL	—	—	—	—	—	—
CFT12-1	CFT12-1R	CFT12-1UU	CFT12-1UUR	105	12	32	14	M12×1.5	40	0.6	7 940	9 800	—	—	KRT32X	KRT32	KRT32XLL	KRT32LL	—	—	CF-FU1-12-1	CF-RU1-12-1	—	—
CFT12-1V	CFT12-1VR	CFT12-1VUU	CFT12-1VUUR	105	12	32	14	M12×1.5	40	0.6	13 430	19 700	—	—	KRVT32X	KRVT32	KRVT32XLL	KRVT32LL	—	—	—	—	—	—
CFT16	CFT16R	CFT16UU	CFT16UUR	170	16	35	18	M16×1.5	52	0.8	12 050	18 330	—	—	KRT35X	KRT35	KRT35XLL	KRT35LL	—	—	CF-FU1-16	CF-RU1-16	—	—
CFT16V	CFT16VR	CFT16VUU	CFT16VUUR	170	16	35	18	M16×1.5	52	0.8	20 680	37 630	—	—	KRVT35X	KRVT35	KRVT35XLL	KRVT35LL	—	—	—	—	—	—
CFT18	CFT18R	CFT18UU	CFT18UUR	250	18	40	20	M18×1.5	58	0.8	14 700	25 200	—	—	KRT40X	KRT40	KRT40XLL	KRT40LL	—	—	CF-FU1-18	CF-RU1-18	—	—
CFT18V	CFT18VR	CFT18VUU	CFT18VUUR	250	18	40	20	M18×1.5	58	0.8	25 280	51 350	—	—	KRVT40X	KRVT40	KRVT40XLL	KRVT40LL	—	—	—	—	—	—
CFT20	CFT20R	CFT20UU	CFT20UUR	460	20	52	24	M20×1.5	66	0.8	20 680	34 600	—	—	KRT52X	KRT52	KRT52XLL	KRT52LL	—	—	CF-FU1-20	CF-RU1-20	—	—
CFT20V	CFT20VR	CFT20VUU	CFT20VUUR	460	20	52	24	M20×1.5	66	0.8	33 120	64 480	—	—	KRVT52X	KRVT52	KRVT52XLL	KRVT52LL	—	—	—	—	—	—
CFT20-1	CFT20-1R	CFT20-1UU	CFT20-1UUR	385	20	47	24	M20×1.5	66	0.8	20 680	34 600	—	—	KRT47X	KRT47	KRT47XLL	KRT47LL	—	—	CF-FU1-20-1	CF-RU1-20-1	—	—
CFT20-1V	CFT20-1VR	CFT20-1VUU	CFT20-1VUUR	385	20	47	24	M20×1.5	66	0.8	33 120	64 480	—	—	KRVT47X	KRVT47	KRVT47XLL	KRVT47LL	—	—	—	—	—	—
CFT24	CFT24R	CFT24UU	CFT24UUR	815	24	62	29	M24×1.5	80	0.8	30 480	52 630	—	—	KRT62X	KRT62	KRT62XLL	KRT62LL	—	—	CF-FU1-24	CF-RU1-24	—	—
CFT24V	CFT24VR	CFT24VUU	CFT24VUUR	815	24	62	29	M24×1.5	80	0.8	46 550	92 020	—	—	KRVT62X	KRVT62	KRVT62XLL	KRVT62LL	—	—	—	—	—	—
CFT24-1	CFT24-1R	CFT24-1UU	CFT24-1UUR	1 140	24	72	29	M24×1.5	80	0.8	30 480	52 630	—	—	KRT72X	KRT72	KRT72XLL	KRT72LL	—	—	CF-FU1-24-1	CF-RU1-24-1	—	—
CFT24-1V	CFT24-1VR	CFT24-1VUU	CFT24-1VUUR	1 140	24	72	29	M24×1.5	80	0.8	46 550	92 020	—	—	KRVT72X	KRVT72	KRVT72XLL	KRVT72LL	—	—	—	—	—	—
CFT30	CFT30R	CFT30UU	CFT30UUR	1 870	30	80	35	M30×1.5	100	1	45 370	85 060	—	—	KRT80X	KRT80	KRT80XLL	KRT80LL	—	—	CF-FU1-30	CF-RU1-30	—	—
CFT30V	CFT30VR	CFT30VUU	CFT30VUUR	1 870	30	80	35	M30×1.5	100	1	67 620	144 060	—	—	KRVT80X	KRVT80	KRVT80XLL	KRVT80LL	—	—	—	—	—	—
CFT30-1	CFT30-1R	CFT30-1UU	CFT30-1UUR	2 030	30	85	35	M30×1.5	100	1	45 370	85 060	—	—	KRT85X	KRT85	KRT85XLL	KRT85LL	—	—	CF-FU1-30-1	CF-RU1-30-1	—	—
CFT30-1V	CFT30-1VR	CFT30-1VUU	CFT30-1VUUR	2 030	30	85	35	M30×1.5	100	1	67 620	144 060	—	—	—	—	—	—	—	—	—	—	—	—
CFT30-2	CFT30-2R	CFT30-2UU	CFT30-2UUR	2 220	30	90	35	M30×1.5	100	1	45 370	85 060	—	—	KRT90X	KRT90	KRT90XLL	KRT90LL	—	—	CF-FU1-30-2	CF-RU1-30-2	—	—
CFT30-2V	CFT30-2VR	CFT30-2VUU	CFT30-2VUUR	2 220	30	90	35	M30×1.5	100	1	67 620	144 060	—	—	KRVT90X	KRVT90	KRVT90XLL	KRVT90LL	—	—	—	—	—	—

Stud diameter (d) 6 to 10mm : Without oil hole in the thread side.



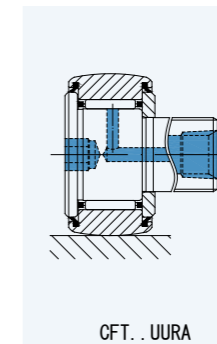
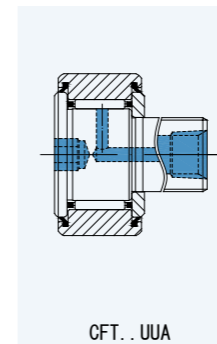
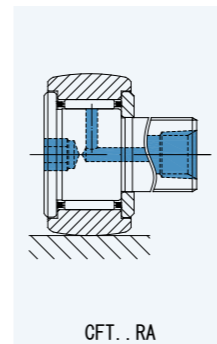
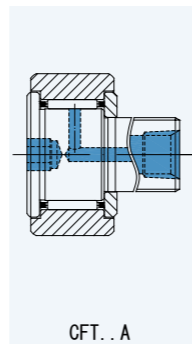
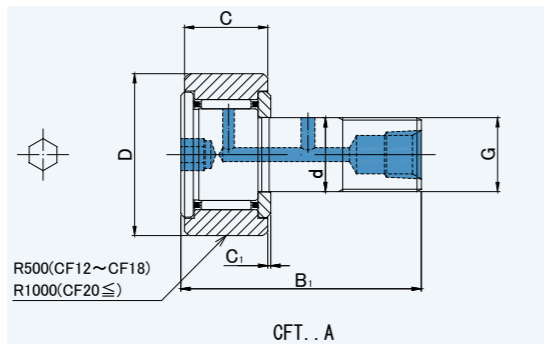
INTERCHANGE



INTERCHANGE



**CAM FOLLOWERS**  
TAP HOLE FOR PIPING  
HEXAGON SOCKET ON STUD HEAD



**CFT..A, RA, UUA, UURA**

**CFT..A, RA, UUA, UURA**

DIMENSION TABLE

INTERCHANGE TABLE

JNS NUMBER CYLINDRICAL OUTER RING WITHOUT SEALS	JNS NUMBER CROWNED OUTER RING WITHOUT SEALS	JNS NUMBER CYLINDRICAL OUTER RING WITH SEALS	JNS NUMBER CROWNED OUTER RING WITH SEALS	Mass (Approx.)	Dimensions(mm)						Basic dynamic load rating	Basic static load rating	INA		NTN		IKO		MCGILL	
					d	D	C	G	B1	C1			Cr N	Cor N	CYLINDRICAL OUTER RING WITHOUT SEALS	CROWNED OUTER RING WITHOUT SEALS	CYLINDRICAL OUTER RING WITHOUT SEALS	CROWNED OUTER RING WITHOUT SEALS	CYLINDRICAL OUTER RING WITHOUT SEALS	CROWNED OUTER RING WITHOUT SEALS
CFT..A	CFT..RA	CFT..UUA	CFT..UURA	g	d	D	C	G	B1	C1	Cr N	Cor N	—	—	—	—	—	—	—	—
CFT12A	CFT12RA	CFT12UUA	CFT12UURA	95	12	30	14	M12×1.5	40	0.6	7 940	9 800	—	—	—	—	—	—	—	—
CFT12VA	CFT12VRA	CFT12VUUA	CFT12VUURA	95	12	30	14	M12×1.5	40	0.6	13 430	19 700	—	—	—	—	—	—	—	—
CFT12-1A	CFT12-1RA	CFT12-1UUA	CFT12-1UURA	105	12	32	14	M12×1.5	40	0.6	7 940	9 800	—	—	—	—	—	—	—	—
CFT12-1VA	CFT12-1VRA	CFT12-1VUUA	CFT12-1VUURA	105	12	32	14	M12×1.5	40	0.6	13 430	19 700	—	—	—	—	—	—	—	—
CFT16A	CFT16RA	CFT16UUA	CFT16UURA	170	16	35	18	M16×1.5	52	0.8	12 050	18 330	—	—	—	—	—	—	—	—
CFT16VA	CFT16VRA	CFT16VUUA	CFT16VUURA	170	16	35	18	M16×1.5	52	0.8	20 680	37 630	—	—	—	—	—	—	—	—
CFT18A	CFT18RA	CFT18UUA	CFT18UURA	250	18	40	20	M18×1.5	58	0.8	14 700	25 200	—	—	—	—	—	—	—	—
CFT18VA	CFT18VRA	CFT18VUUA	CFT18VUURA	250	18	40	20	M18×1.5	58	0.8	25 280	51 350	—	—	—	—	—	—	—	—
CFT20A	CFT20RA	CFT20UUA	CFT20UURA	460	20	52	24	M20×1.5	66	0.8	20 680	34 600	—	—	—	—	—	—	—	—
CFT20VA	CFT20VRA	CFT20VUUA	CFT20VUURA	460	20	52	24	M20×1.5	66	0.8	33 120	64 480	—	—	—	—	—	—	—	—
CFT20-1A	CFT20-1RA	CFT20-1UUA	CFT20-1UURA	385	20	47	24	M20×1.5	66	0.8	20 680	34 600	—	—	—	—	—	—	—	—
CFT20-1VA	CFT20-1VRA	CFT20-1VUUA	CFT20-1VUURA	385	20	47	24	M20×1.5	66	0.8	33 120	64 480	—	—	—	—	—	—	—	—
CFT24A	CFT24RA	CFT24UUA	CFT24UURA	815	24	62	29	M24×1.5	80	0.8	30 480	52 630	—	—	—	—	—	—	—	—
CFT24VA	CFT24VRA	CFT24VUUA	CFT24VUURA	815	24	62	29	M24×1.5	80	0.8	46 550	92 020	—	—	—	—	—	—	—	—
CFT24-1A	CFT24-1RA	CFT24-1UUA	CFT24-1UURA	1 140	24	72	29	M24×1.5	80	0.8	30 480	52 630	—	—	—	—	—	—	—	—
CFT24-1VA	CFT24-1VRA	CFT24-1VUUA	CFT24-1VUURA	1 140	24	72	29	M24×1.5	80	0.8	46 550	92 020	—	—	—	—	—	—	—	—
CFT30A	CFT30RA	CFT30UUA	CFT30UURA	1 870	30	80	35	M30×1.5	100	1	45 370	85 060	—	—	—	—	—	—	—	—
CFT30VA	CFT30VRA	CFT30VUUA	CFT30VUURA	1 870	30	80	35	M30×1.5	100	1	67 620	144 060	—	—	—	—	—	—	—	—
CFT30-1A	CFT30-1RA	CFT30-1UUA	CFT30-1UURA	2 030	30	85	35	M30×1.5	100	1	45 370	85 060	—	—	—	—	—	—	—	—
CFT30-1VA	CFT30-1VRA	CFT30-1VUUA	CFT30-1VUURA	2 030	30	85	35	M30×1.5	100	1	67 620	144 060	—	—	—	—	—	—	—	—
CFT30-2A	CFT30-2RA	CFT30-2UUA	CFT30-2UURA	2 220	30	90	35	M30×1.5	100	1	45 370	85 060	—	—	—	—	—	—	—	—
CFT30-2VA	CFT30-2VRA	CFT30-2VUUA	CFT30-2VUURA	2 220	30	90	35	M30×1.5	100	1	67 620	144 060	—	—	—	—	—	—	—	—

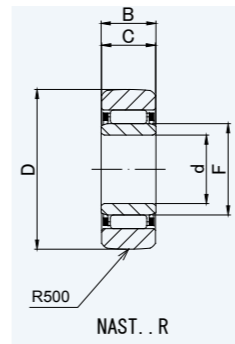
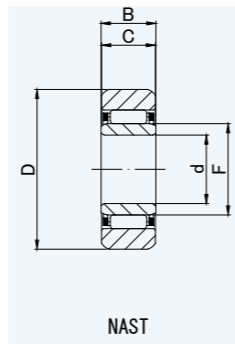
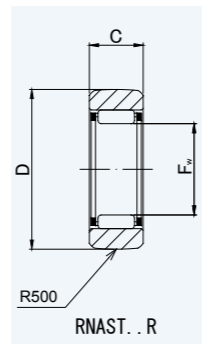
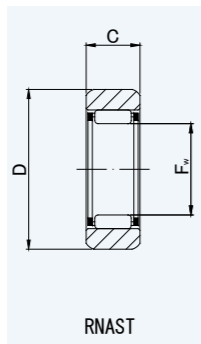


INTERCHANGE



INTERCHANGE

# ROLLER FOLLOWERS SEPARABLE WITHOUT INNER RING



# RNAST,RNAST..R,NAST,NAST..R

## RNAST,RNAST..R,NAST,NAST..R

DIMENSION TABLE

INTERCHANGE TABLE

JNS NUMBER CYLINDRICAL OUTER RING	JNS NUMBER CROWNED OUTER RING	Weight	JNS NUMBER CYLINDRICAL OUTER RING WITH INNER RING	JNS NUMBER CROWNED OUTER RING WITH INNER RING	Weight	Dimensions(mm)					Basic dynamic load rating	Basic static load rating	INA				NTN				IKO				TORRINGTON(KOYO)			
						Fw (F)	D	d	C	B			Cr N	Cor N	CYLINDRICAL OUTER RING WITHOUT INNER RING	CROWNED OUTER RING WITHOUT INNER RING	CYLINDRICAL OUTER RING WITH INNER RING	CROWNED OUTER RING WITH INNER RING	CYLINDRICAL OUTER RING WITHOUT INNER RING	CROWNED OUTER RING WITHOUT INNER RING	CYLINDRICAL OUTER RING WITH INNER RING	CROWNED OUTER RING WITH INNER RING	CYLINDRICAL OUTER RING WITHOUT INNER RING	CROWNED OUTER RING WITHOUT INNER RING	CYLINDRICAL OUTER RING WITH INNER RING	CROWNED OUTER RING WITH INNER RING		
RNAS	RNAS..R	g	NAST	NAST..R	g	Fw (F)	D	d	C	B	Cr N	Cor N	RSTO-X	RSTO	STO-X	STO	RNAB-X	RNAB	NAB-X	NAB	RNAS	RNAS..R	NAST	NAST..R	RSTO-DZ	RSTO	STO-DZ	STO
RNAS5	RNAS5R	8.9	—	—	—	7	16	—	7.8	—	2 740	2 390	RSTO5TNX	RSTO5TN	—	—	RNAB2/5XT2	RNAB2/5T2	—	—	RNAS5	RNAS5R	—	—	RSTO5TN	RSTO5TN	—	—
RNAS6	RNAS6R	13.9	NAST6	NAST6R	17.8	10	19	6	9.8	10	4 120	4 550	RSTO6TNX	RSTO6TN	STO6TNX	STO6TN	RNAB2/6XT2	RNAB2/6T2	NAB2/6XT2	NAB2/6T2	RNAS6	RNAS6R	NAST6	NAST6R	RSTO6DZ	RSTO6	STO6DZ	STO6TN
RNAS8	RNAS8R	23.5	NAST8	NAST8R	28	12	24	8	9.8	10	5 680	5 890	RSTO8TNX	RSTO8TN	STO8TNX	STO8TN	RNAB2/8X	RNAB2/8	NAB2/8X	NAB2/8	RNAS8	RNAS8R	NAST8	NAST8R	RSTO8DZ	RSTO8	STO8DZ	STO8TN
RNAS10	RNAS10R	42.5	NAST10	NAST10R	50	14	30	10	11.8	12	9 700	9 670	RSTO10X	RSTO10	STO10X	STO10	RNAB200X	RNAB200	NAB200X	NAB200	RNAS10	RNAS10R	NAST10	NAST10R	RSTO10DZ	RSTO10	STO10DZ	STO10
RNAS12	RNAS12R	49.5	NAST12	NAST12R	58	16	32	12	11.8	12	10 400	10 900	RSTO12X	RSTO12	STO12X	STO12	RNAB201X	RNAB201	NAB201X	NAB201	RNAS12	RNAS12R	NAST12	NAST12R	RSTO12DZ	RSTO12	STO12DZ	STO12
RNAS15	RNAS15R	50	NAST15	NAST15R	62	20	35	15	11.8	12	12 300	14 300	RSTO15X	RSTO15	STO15X	STO15	RNAB202X	RNAB202	NAB202X	NAB202	RNAS15	RNAS15R	NAST15	NAST15R	RSTO15DZ	RSTO15	STO15DZ	STO15
RNAS17	RNAS17R	90	NAST17	NAST17R	110	22	40	17	15.8	16	17 400	20 900	RSTO17X	RSTO17	STO17X	STO17	RNAB203X	RNAB203	NAB203X	NAB203	RNAS17	RNAS17R	NAST17	NAST17R	RSTO17DZ	RSTO17	STO17DZ	STO17
RNAS20	RNAS20R	135	NAST20	NAST20R	155	25	47	20	15.8	16	19 200	24 500	RSTO20X	RSTO20	STO20X	STO20	RNAB204X	RNAB204	NAB204X	NAB204	RNAS20	RNAS20R	NAST20	NAST20R	RSTO20DZ	RSTO20	STO20DZ	STO20
RNAS25	RNAS25R	152	NAST25	NAST25R	180	30	52	25	15.8	16	20 700	28 400	RSTO25X	RSTO25	STO25X	STO25	RNAB205X	RNAB205	NAB205X	NAB205	RNAS25	RNAS25R	NAST25	NAST25R	RSTO25DZ	RSTO25	STO25DZ	STO25
RNAS30	RNAS30R	255	NAST30	NAST30R	320	38	62	30	19.8	20	30 300	45 400	RSTO30X	RSTO30	STO30X	STO30	RNAB206X	RNAB206	NAB206X	NAB206	RNAS30	RNAS30R	NAST30	NAST30R	RSTO30DZ	RSTO30	STO30DZ	STO30
RNAS35	RNAS35R	375	NAST35	NAST35R	440	42	72	35	19.8	20	32 200	50 600	RSTO35X	RSTO35	STO35X	STO35	RNAB207X	RNAB207	NAB207X	NAB207	RNAS35	RNAS35R	NAST35	NAST35R	RSTO35DZ	RSTO35	STO35DZ	STO35
RNAS40	RNAS40R	420	NAST40	NAST40R	530	50	80	40	19.8	20	35 700	61 100	RSTO40X	RSTO40	STO40X	STO40	RNAB208X	RNAB208	NAB208X	NAB208	RNAS40	RNAS40R	NAST40	NAST40R	RSTO40DZ	RSTO40	STO40DZ	STO40
RNAS45	RNAS45R	460	NAST45	NAST45R	580	55	85	45	19.8	20	37 100	66 400	RSTO45X	RSTO45	STO45X	STO45	RNAB209X	RNAB209	NAB209X	NAB209	RNAS45	RNAS45R	NAST45	NAST45R	RSTO45DZ	RSTO45	STO45DZ	STO45
RNAS50	RNAS50R	500	NAST50	NAST50R	635	60	90	50	19.8	20	38 700	71 800	RSTO50X	RSTO50	STO50X	STO50	RNAB210X	RNAB210	NAB210X	NAB210	RNAS50	RNAS50R	NAST50	NAST50R	RSTO50DZ	RSTO50	STO50DZ	STO50

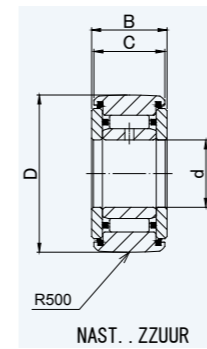
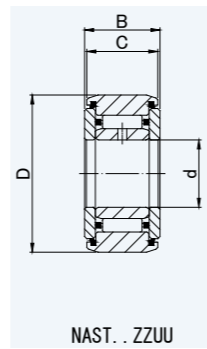
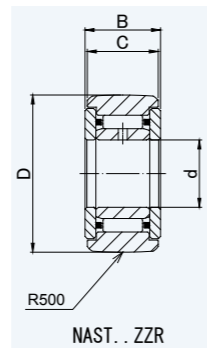
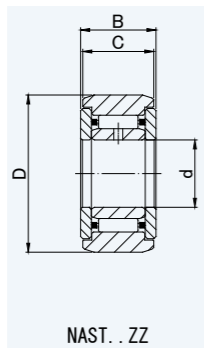


INTERCHANGE



INTERCHANGE

**ROLLER FOLLOWERS**  
SEPARABLE WITH INNER RING WITH SHIELD



**NAST..ZZ, ZZR, ZZUU, ZZUUR**

**NAST..ZZ, ZZR, ZZUU, ZZUUR**

DIMENSION TABLE

INTERCHANGE TABLE

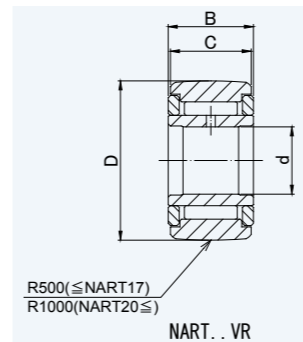
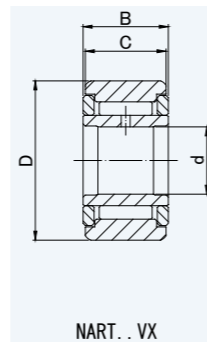
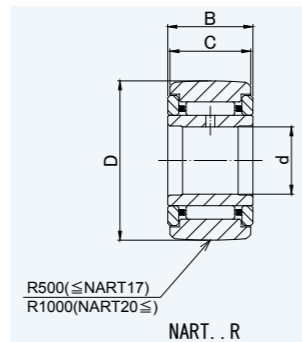
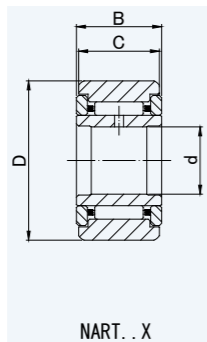
JNS NUMBER CYLINDRICAL OUTER RING WITHOUT SEALS	JNS NUMBER CROWNED OUTER RING WITHOUT SEALS	JNS NUMBER CYLINDRICAL OUTER RING WITH SEALS	JNS NUMBER CROWNED OUTER RING WITH SEALS	Mass (Approx.) g	Dimensions(mm)				Basic dynamic load rating Cr N	Basic static load rating Cor N	INA		NTN		IKO				TORRINGTON(KOYO)			
					CYLINDRICAL OUTER RING	CROWNED OUTER RING	CYLINDRICAL OUTER RING WITHOUT SEALS	CROWNED OUTER RING WITHOUT SEALS			CYLINDRICAL OUTER RING WITHOUT SEALS	CROWNED OUTER RING WITHOUT SEALS	CYLINDRICAL OUTER RING WITH SEALS	CROWNED OUTER RING WITH SEALS	CYLINDRICAL OUTER RING WITHOUT SEALS	CROWNED OUTER RING WITHOUT SEALS	CYLINDRICAL OUTER RING WITH SEALS	CROWNED OUTER RING WITH SEALS				
NAST..ZZ	NAST..ZZR	NAST..ZZUU	NAST..ZZUUR	g	d	D	B	C	Cr N	Cor N	—	—	—	—	NAST..ZZ	NAST..ZZR	NAST..ZZUU	NAST..ZZUUR	STO-ZZ.DZ	STO-ZZ	—	—
NAST6ZZ	NAST6ZZR	NAST6ZZUU	NAST6ZZUUR	24.5	6	19	14	13.8	4 120	4 550	—	—	—	—	NAST6ZZ	NAST6ZZR	NAST6ZZUU	NAST6ZZUUR	STO6ZZ.DZ	STO6ZZ	—	—
NAST8ZZ	NAST8ZZR	NAST8ZZUU	NAST8ZZUUR	39	8	24	14	13.8	5 680	5 890	—	—	—	—	NAST8ZZ	NAST8ZZR	NAST8ZZUU	NAST8ZZUUR	STO8ZZ.DZ	STO8ZZ	—	—
NAST10ZZ	NAST10ZZR	NAST10ZZUU	NAST10ZZUUR	65	10	30	16	15.8	9 700	9 670	—	—	—	—	NAST10ZZ	NAST10ZZR	NAST10ZZUU	NAST10ZZUUR	STO10ZZ.DZ	STO10ZZ	—	—
NAST12ZZ	NAST12ZZR	NAST12ZZUU	NAST12ZZUUR	75	12	32	16	15.8	10 400	10 900	—	—	—	—	NAST12ZZ	NAST12ZZR	NAST12ZZUU	NAST12ZZUUR	STO12ZZ.DZ	STO12ZZ	—	—
NAST15ZZ	NAST15ZZR	NAST15ZZUU	NAST15ZZUUR	83	15	35	16	15.8	12 300	14 300	—	—	—	—	NAST15ZZ	NAST15ZZR	NAST15ZZUU	NAST15ZZUUR	STO15ZZ.DZ	STO15ZZ	—	—
NAST17ZZ	NAST17ZZR	NAST17ZZUU	NAST17ZZUUR	135	17	40	20	19.8	17 400	20 900	—	—	—	—	NAST17ZZ	NAST17ZZR	NAST17ZZUU	NAST17ZZUUR	STO17ZZ.DZ	STO17ZZ	—	—
NAST20ZZ	NAST20ZZR	NAST20ZZUU	NAST20ZZUUR	195	20	47	20	19.8	19 200	24 500	—	—	—	—	NAST20ZZ	NAST20ZZR	NAST20ZZUU	NAST20ZZUUR	STO20ZZ.DZ	STO20ZZ	—	—
NAST25ZZ	NAST25ZZR	NAST25ZZUU	NAST25ZZUUR	225	25	52	20	19.8	20 700	28 400	—	—	—	—	NAST25ZZ	NAST25ZZR	NAST25ZZUU	NAST25ZZUUR	STO25ZZ.DZ	STO25ZZ	—	—
NAST30ZZ	NAST30ZZR	NAST30ZZUU	NAST30ZZUUR	400	30	62	25	24.8	30 300	45 400	—	—	—	—	NAST30ZZ	NAST30ZZR	NAST30ZZUU	NAST30ZZUUR	STO30ZZ.DZ	STO30ZZ	—	—
NAST35ZZ	NAST35ZZR	NAST35ZZUU	NAST35ZZUUR	550	35	72	25	24.8	32 200	50 600	—	—	—	—	NAST35ZZ	NAST35ZZR	NAST35ZZUU	NAST35ZZUUR	STO35ZZ.DZ	STO35ZZ	—	—
NAST40ZZ	NAST40ZZR	NAST40ZZUU	NAST40ZZUUR	710	40	80	26	25.8	35 700	61 100	—	—	—	—	NAST40ZZ	NAST40ZZR	NAST40ZZUU	NAST40ZZUUR	STO40ZZ.DZ	STO40ZZ	—	—
NAST45ZZ	NAST45ZZR	NAST45ZZUU	NAST45ZZUUR	760	45	85	26	25.8	37 100	66 400	—	—	—	—	NAST45ZZ	NAST45ZZR	NAST45ZZUU	NAST45ZZUUR	STO45ZZ.DZ	STO45ZZ	—	—
NAST50ZZ	NAST50ZZR	NAST50ZZUU	NAST50ZZUUR	830	50	90	26	25.8	38 700	71 800	—	—	—	—	NAST50ZZ	NAST50ZZR	NAST50ZZUU	NAST50ZZUUR	STO50ZZ.DZ	STO50ZZ	—	—



INTERCHANGE



INTERCHANGE



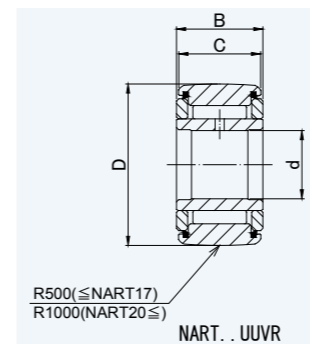
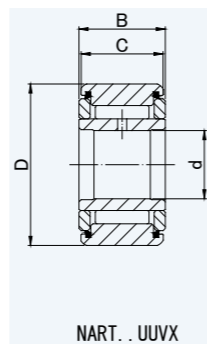
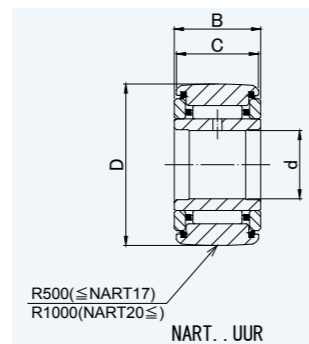
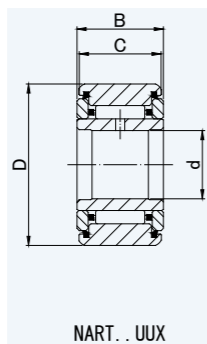
**NART..X, R**

DIMENSION TABLE

INTERCHANGE TABLE

JNS NUMBER CYLINDRICAL OUTER RING	JNS NUMBER CROWNED OUTER RING	Mass (Approx.) g	Dimensions(mm)				Basic dynamic load rating Cr N	Basic static load rating Cor N	INA		NTN		IKO		MCGILL	
			d	D	B	C			CYLINDRICAL OUTER RING	CROWNED OUTER RING	CYLINDRICAL OUTER RING	CROWNED OUTER RING	CYLINDRICAL OUTER RING	CROWNED OUTER RING	CYLINDRICAL OUTER RING	CROWNED OUTER RING
NART..X	NART..R		d	D	B	C	Cr N	Cor N	NATR-X	NATR	NATR-X	NATR	—	NART-R	MCYRR-X	MCYRR
<b>NART5X</b>	<b>NART5R</b>	<b>14.5</b>	5	16	12	11	3 620	3 720	NATR5X	NATR5	NATR5X	NATR5	—	NART5R	MCYRR5X	MCYRR5
<b>NART5VX</b>	<b>NART5VR</b>	<b>15.1</b>	5	16	12	11	6 760	8 340	NATV5X	NATV5	NATV5X	NATV5	—	NART5VR	MCYR5X	MCYR5
<b>NART6X</b>	<b>NART6R</b>	<b>20.5</b>	6	19	12	11	4 200	4 700	NATR6X	NATR6	NATR6X	NATR6	—	NART6R	MCYRR6X	MCYRR6
<b>NART6VX</b>	<b>NART6VR</b>	<b>21.5</b>	6	19	12	11	7 640	10 300	NATV6X	NATV6	NATV6X	NATV6	—	NART6VR	MCYR6X	MCYR6
<b>NART8X</b>	<b>NART8R</b>	<b>41.5</b>	8	24	15	14	6 600	7 300	NATR8X	NATR8	NATR8X	NATR8	—	NART8R	MCYRR8X	MCYRR8
<b>NART8VX</b>	<b>NART8VR</b>	<b>42.5</b>	8	24	15	14	11 800	15 600	NATV8X	NATV8	NATV8X	NATV8	—	NART8VR	MCYR8X	MCYR8
<b>NART10X</b>	<b>NART10R</b>	<b>64.5</b>	10	30	15	14	8 600	8 300	NATR10X	NATR10	NATR10X	NATR10	—	NART10R	MCYRR10X	MCYRR10
<b>NART10VX</b>	<b>NART10VR</b>	<b>66.5</b>	10	30	15	14	15 600	18 100	NATV10X	NATV10	NATV10X	NATV10	—	NART10VR	MCYR10X	MCYR10
<b>NART12X</b>	<b>NART12R</b>	<b>71</b>	12	32	15	14	9 100	9 200	NATR12X	NATR12	NATR12X	NATR12	—	NART12R	MCYRR12X	MCYRR12
<b>NART12VX</b>	<b>NART12VR</b>	<b>73</b>	12	32	15	14	16 800	20 500	NATV12X	NATV12	NATV12X	NATV12	—	NART12VR	MCYR12X	MCYR12
<b>NART15X</b>	<b>NART15R</b>	<b>102</b>	15	35	19	18	14 400	17 600	NATR15X	NATR15	NATR15X	NATR15	—	NART15R	MCYRR15X	MCYRR15
<b>NART15VX</b>	<b>NART15VR</b>	<b>106</b>	15	35	19	18	25 100	36 400	NATV15X	NATV15	NATV15X	NATV15	—	NART15VR	MCYR15X	MCYR15
<b>NART17X</b>	<b>NART17R</b>	<b>149</b>	17	40	21	20	18 600	22 500	NATR17X	NATR17	NATR17X	NATR17	—	NART17R	MCYRR17X	MCYRR17
<b>NART17VX</b>	<b>NART17VR</b>	<b>155</b>	17	40	21	20	32 000	46 200	NATV17X	NATV17	NATV17X	NATV17	—	NART17VR	MCYR17X	MCYR17
<b>NART20X</b>	<b>NART20R</b>	<b>250</b>	20	47	25	24	24 100	32 700	NATR20X	NATR20	NATR20X	NATR20	—	NART20R	MCYRR20X	MCYRR20
<b>NART20VX</b>	<b>NART20VR</b>	<b>255</b>	20	47	25	24	41 700	67 300	NATV20X	NATV20	NATV20X	NATV20	—	NART20VR	MCYR20X	MCYR20
<b>NART25X</b>	<b>NART25R</b>	<b>285</b>	25	52	25	24	25 800	37 500	NATR25X	NATR25	NATR25X	NATR25	—	NART25R	MCYRR25X	MCYRR25
<b>NART25VX</b>	<b>NART25VR</b>	<b>295</b>	25	52	25	24	45 500	79 000	NATV25X	NATV25	NATV25X	NATV25	—	NART25VR	MCYR25X	MCYR25
<b>NART30X</b>	<b>NART30R</b>	<b>470</b>	30	62	29	28	36 200	56 900	NATR30X	NATR30	NATR30X	NATR30	—	NART30R	MCYRR30X	MCYRR30
<b>NART30VX</b>	<b>NART30VR</b>	<b>485</b>	30	62	29	28	59 800	110 400	NATV30X	NATV30	NATV30X	NATV30	—	NART30VR	MCYR30X	MCYR30
<b>NART35X</b>	<b>NART35R</b>	<b>640</b>	35	72	29	28	38 200	62 800	NATR35X	NATR35	NATR35X	NATR35	—	NART35R	MCYRR35X	MCYRR35
<b>NART35VX</b>	<b>NART35VR</b>	<b>655</b>	35	72	29	28	63 000	121 500	NATV35X	NATV35	NATV35X	NATV35	—	NART35VR	MCYR35X	MCYR35
<b>NART40X</b>	<b>NART40R</b>	<b>845</b>	40	80	32	30	46 200	84 700	NATR40X	NATR40	NATR40X	NATR40	—	NART40R	MCYRR40X	MCYRR40
<b>NART40VX</b>	<b>NART40VR</b>	<b>865</b>	40	80	32	30	76 200	164 200	NATV40X	NATV40	NATV40X	NATV40	—	NART40VR	MCYR40X	MCYR40
<b>NART45X</b>	<b>NART45R</b>	<b>915</b>	45	85	32	30	49 300	95 200	NATR45X	NATR45	NATR45X	NATR45	—	NART45R	MCYRR45X	MCYRR45
<b>NART45VX</b>	<b>NART45VR</b>	<b>935</b>	45	85	32	30	80 200	181 100	NATV45X	NATV45	NATV45X	NATV45	—	NART45VR	MCYR45X	MCYR45
<b>NART50X</b>	<b>NART50R</b>	<b>980</b>	50	90	32	30	51 100	102 300	NATR50X	NATR50	NATR50X	NATR50	—	NART50R	MCYRR50X	MCYRR50
<b>NART50VX</b>	<b>NART50VR</b>	<b>1 010</b>	50	90	32	30	84 100	198 000	NATV50X	NATV50	NATV50X	NATV50	—	NART50VR	MCYR50X	MCYR50





**NART..UUX, UUR**

DIMENSION TABLE

INTERCHANGE TABLE

JNS NUMBER CYLINDRICAL OUTER RING	JNS NUMBER CROWNED OUTER RING	Mass (Approx.) g	Dimensions(mm)				Basic dynamic load rating Cr N	Basic static load rating Cor N	INA		NTN		IKO		MCGILL	
			d	D	B	C			CYLINDRICAL OUTER RING	CROWNED OUTER RING	CYLINDRICAL OUTER RING	CROWNED OUTER RING	CYLINDRICAL OUTER RING	CROWNED OUTER RING	CYLINDRICAL OUTER RING	CROWNED OUTER RING
NART..UUX	NART..UUR	g	d	D	B	C	Cr N	Cor N	NATR-PPX	NATR-PP	NATR-XLL	NATR-LL	—	NART-UUR	MCYRR-SX	MCYRR-S
<b>NART5UUX</b>	<b>NART5UUR</b>	<b>14.5</b>	5	16	12	11	3 620	3 720	NATR5PPX	NATR5PP	NATR5XLL	NATR5LL	—	NART5UUR	MCYRR5SX	MCYRR5S
<b>NART5UUVX</b>	<b>NART5UUVR</b>	<b>15.1</b>	5	16	12	11	6 760	8 340	NATV5PPX	NATV5PP	NATV5XLL	NATV5LL	—	NART5VUUR	MCYR5SX	MCYR5S
<b>NART6UUX</b>	<b>NART6UUR</b>	<b>20.5</b>	6	19	12	11	4 200	4 700	NATR6PPX	NATR6PP	NATR6XLL	NATR6LL	—	NART6UUR	MCYRR6SX	MCYRR6S
<b>NART6UUVX</b>	<b>NART6UUVR</b>	<b>21.5</b>	6	19	12	11	7 640	10 300	NATV6PPX	NATV6PP	NATV6XLL	NATV6LL	—	NART6VUUR	MCYR6SX	MCYR6S
<b>NART8UUX</b>	<b>NART8UUR</b>	<b>41.5</b>	8	24	15	14	6 600	7 300	NATR8PPX	NATR8PP	NATR8XLL	NATR8LL	—	NART8UUR	MCYRR8SX	MCYRR8S
<b>NART8UUVX</b>	<b>NART8UUVR</b>	<b>42.5</b>	8	24	15	14	11 800	15 600	NATV8PPX	NATV8PP	NATV8XLL	NATV8LL	—	NART8VUUR	MCYR8SX	MCYR8S
<b>NART10UUX</b>	<b>NART10UUR</b>	<b>64.5</b>	10	30	15	14	8 600	8 300	NATR10PPX	NATR10PP	NATR10XLL	NATR10LL	—	NART10UUR	MCYRR10SX	MCYRR10S
<b>NART10UUVX</b>	<b>NART10UUVR</b>	<b>66.5</b>	10	30	15	14	15 600	18 100	NATV10PPX	NATV10PP	NATV10XLL	NATV10LL	—	NART10VUUR	MCYR10SX	MCYR10S
<b>NART12UUX</b>	<b>NART12UUR</b>	<b>71</b>	12	32	15	14	9 100	9 200	NATR12PPX	NATR12PP	NATR12XLL	NATR12LL	—	NART12UUR	MCYRR12SX	MCYRR12S
<b>NART12UUVX</b>	<b>NART12UUVR</b>	<b>73</b>	12	32	15	14	16 800	20 500	NATV12PPX	NATV12PP	NATV12XLL	NATV12LL	—	NART12VUUR	MCYR12SX	MCYR12S
<b>NART15UUX</b>	<b>NART15UUR</b>	<b>102</b>	15	35	19	18	14 400	17 600	NATR15PPX	NATR15PP	NATR15XLL	NATR15LL	—	NART15UUR	MCYRR15SX	MCYRR15S
<b>NART15UUVX</b>	<b>NART15UUVR</b>	<b>106</b>	15	35	19	18	25 100	36 400	NATV15PPX	NATV15PP	NATV15XLL	NATV15LL	—	NART15VUUR	MCYR15SX	MCYR15S
<b>NART17UUX</b>	<b>NART17UUR</b>	<b>149</b>	17	40	21	20	18 600	22 500	NATR17PPX	NATR17PP	NATR17XLL	NATR17LL	—	NART17UUR	MCYRR17SX	MCYRR17S
<b>NART17UUVX</b>	<b>NART17UUVR</b>	<b>155</b>	17	40	21	20	32 000	46 200	NATV17PPX	NATV17PP	NATV17XLL	NATV17LL	—	NART17VUUR	MCYR17SX	MCYR17S
<b>NART20UUX</b>	<b>NART20UUR</b>	<b>250</b>	20	47	25	24	24 100	32 700	NATR20PPX	NATR20PP	NATR20XLL	NATR20LL	—	NART20UUR	MCYRR20SX	MCYRR20S
<b>NART20UUVX</b>	<b>NART20UUVR</b>	<b>255</b>	20	47	25	24	41 700	67 300	NATV20PPX	NATV20PP	NATV20XLL	NATV20LL	—	NART20VUUR	MCYR20SX	MCYR20S
<b>NART25UUX</b>	<b>NART25UUR</b>	<b>285</b>	25	52	25	24	25 800	37 500	NATR25PPX	NATR25PP	NATR25XLL	NATR25LL	—	NART25UUR	MCYRR25SX	MCYRR25S
<b>NART25UUVX</b>	<b>NART25UUVR</b>	<b>295</b>	25	52	25	24	45 500	79 000	NATV25PPX	NATV25PP	NATV25XLL	NATV25LL	—	NART25VUUR	MCYR25SX	MCYR25S
<b>NART30UUX</b>	<b>NART30UUR</b>	<b>470</b>	30	62	29	28	36 200	56 900	NATR30PPX	NATR30PP	NATR30XLL	NATR30LL	—	NART30UUR	MCYRR30SX	MCYRR30S
<b>NART30UUVX</b>	<b>NART30UUVR</b>	<b>485</b>	30	62	29	28	59 800	110 400	NATV30PPX	NATV30PP	NATV30XLL	NATV30LL	—	NART30VUUR	MCYR30SX	MCYR30S
<b>NART35UUX</b>	<b>NART35UUR</b>	<b>640</b>	35	72	29	28	38 200	62 800	NATR35PPX	NATR35PP	NATR35XLL	NATR35LL	—	NART35UUR	MCYRR35SX	MCYRR35S
<b>NART35UUVX</b>	<b>NART35UUVR</b>	<b>655</b>	35	72	29	28	63 000	121 500	NATV35PPX	NATV35PP	NATV35XLL	NATV35LL	—	NART35VUUR	MCYR35SX	MCYR35S
<b>NART40UUX</b>	<b>NART40UUR</b>	<b>845</b>	40	80	32	30	46 200	84 700	NATR40PPX	NATR40PP	NATR40XLL	NATR40LL	—	NART40UUR	MCYRR40SX	MCYRR40S
<b>NART40UUVX</b>	<b>NART40UUVR</b>	<b>865</b>	40	80	32	30	76 200	164 200	NATV40PPX	NATV40PP	NATV40XLL	NATV40LL	—	NART40VUUR	MCYR40SX	MCYR40S
<b>NART45UUX</b>	<b>NART45UUR</b>	<b>915</b>	45	85	32	30	49 300	95 200	NATR45PPX	NATR45PP	NATR45XLL	NATR45LL	—	NART45UUR	MCYRR45SX	MCYRR45S
<b>NART45UUVX</b>	<b>NART45UUVR</b>	<b>935</b>	45	85	32	30	80 200	181 100	NATV45PPX	NATV45PP	NATV45XLL	NATV45LL	—	NART45VUUR	MCYR45SX	MCYR45S
<b>NART50UUX</b>	<b>NART50UUR</b>	<b>980</b>	50	90	32	30	51 100	102 300	NATR50PPX	NATR50PP	NATR50XLL	NATR50LL	—	NART50UUR	MCYRR50SX	MCYRR50S
<b>NART50UUVX</b>	<b>NART50UUVR</b>	<b>1 010</b>	50	90	32	30	84 100	198 000	NATV50PPX	NATV50PP	NATV50XLL	NATV50LL	—	NART50VUUR	MCYR50SX	MCYR50S



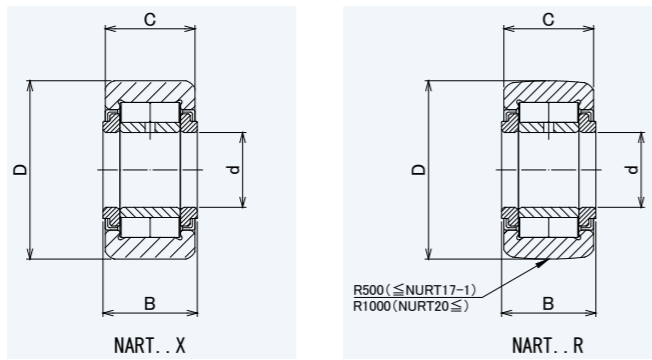
INTERCHANGE



INTERCHANGE

**HEAVY DUTY  
TYPE ROLLER  
FOLLOWERS**  
NON SEPARABLE  
WITH INNER RING

**NURT..X, R**

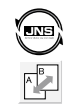


**NURT..X, R**

DIMENSION TABLE

INTERCHANGE TABLE

JNS NUMBER CYLINDRICAL OUTER RING	JNS NUMBER CROWNED OUTER RING	Mass (Approx.) g	Dimensions(mm)				Basic dynamic load rating Cr N	Basic static load rating Cor N	INA		NTN		IKO		MCGILL	
			d	D	B	C			CYLINDRICAL OUTER RING	CROWNED OUTER RING	CYLINDRICAL OUTER RING	CROWNED OUTER RING	CYLINDRICAL OUTER RING	CROWNED OUTER RING	CYLINDRICAL OUTER RING	CROWNED OUTER RING
NURT..X	NURT..R	g	d	D	B	C	Cr N	Cor N	—	NUTR	NUTR-X	NUTR	NURT	NURT-R	MCYRD-X	MCYRD
<b>NURT15X</b>	<b>NURT15R</b>	<b>100</b>	15	35	19	18	22 300	25 700	—	NUTR15	NUTR202X	NUTR202	NURT15	NURT15R	MCYRD-15X	MCYRD-15
<b>NURT15-1X</b>	<b>NURT15-1R</b>	<b>160</b>	15	42	19	18	22 300	25 700	—	NUTR15 42	NUTR302X	NUTR302	NURT15-1	NURT15-1R	—	—
<b>NURT17X</b>	<b>NURT17R</b>	<b>147</b>	17	40	21	20	24 100	29 100	—	NUTR17	NUTR203X	NUTR203	NURT17	NURT17R	MCYRD-17X	MCYRD-17
<b>NURT17-1X</b>	<b>NURT17-1R</b>	<b>222</b>	17	47	21	20	24 100	29 100	—	NUTR17 47	NUTR303X	NUTR303	NURT17-1	NURT17-1R	—	—
<b>NURT20X</b>	<b>NURT20R</b>	<b>245</b>	20	47	25	24	38 500	48 000	—	NUTR20	NUTR204X	NUTR204	NURT20	NURT20R	MCYRD-20X	MCYRD-20
<b>NURT20-1X</b>	<b>NURT20-1R</b>	<b>321</b>	20	52	25	24	38 500	48 000	—	NUTR20 52	NUTR304X	NUTR304	NURT20-1	NURT20-1R	—	—
<b>NURT25X</b>	<b>NURT25R</b>	<b>281</b>	25	52	25	24	42 500	57 500	—	NUTR25	NUTR205X	NUTR205	NURT25	NURT25R	MCYRD-25X	MCYRD-25
<b>NURT25-1X</b>	<b>NURT25-1R</b>	<b>450</b>	25	62	25	24	42 500	57 500	—	NUTR25 62	NUTR305X	NUTR305	NURT25-1	NURT25-1R	—	—
<b>NURT30X</b>	<b>NURT30R</b>	<b>466</b>	30	62	29	28	56 500	72 500	—	NUTR30	NUTR206X	NUTR206	NURT30	NURT30R	MCYRD-30X	MCYRD-30
<b>NURT30-1X</b>	<b>NURT30-1R</b>	<b>697</b>	30	72	29	28	56 500	72 500	—	NUTR30 72	NUTR306X	NUTR306	NURT30-1	NURT30-1R	—	—
<b>NURT35X</b>	<b>NURT35R</b>	<b>630</b>	35	72	29	28	62 000	85 500	—	NUTR35	NUTR207X	NUTR207	NURT35	NURT35R	MCYRD-35X	MCYRD-35
<b>NURT35-1X</b>	<b>NURT35-1R</b>	<b>840</b>	35	80	29	28	62 000	85 500	—	NUTR35 80	NUTR307X	NUTR307	NURT35-1	NURT35-1R	—	—
<b>NURT40X</b>	<b>NURT40R</b>	<b>817</b>	40	80	32	30	87 000	125 000	—	NUTR40	NUTR208X	NUTR208	NURT40	NURT40R	MCYRD-40X	MCYRD-40
<b>NURT40-1X</b>	<b>NURT40-1R</b>	<b>1 130</b>	40	90	32	30	87 000	125 000	—	NUTR40 90	NUTR308X	NUTR308	NURT40-1	NURT40-1R	—	—
<b>NURT45X</b>	<b>NURT45R</b>	<b>883</b>	45	85	32	30	92 000	137 000	—	NUTR45	NUTR209X	NUTR209	NURT45	NURT45R	MCYRD-45X	MCYRD-45
<b>NURT45-1X</b>	<b>NURT45-1R</b>	<b>1 400</b>	45	100	32	30	92 000	137 000	—	NUTR45 100	NUTR309X	NUTR309	NURT45-1	NURT45-1R	—	—
<b>NURT50X</b>	<b>NURT50R</b>	<b>950</b>	50	90	32	30	96 500	150 000	—	NUTR50	NUTR210X	NUTR210	NURT50	NURT50R	MCYRD-50X	MCYRD-50
<b>NURT50-1X</b>	<b>NURT50-1R</b>	<b>1 690</b>	50	110	32	30	96 500	150 000	—	NUTR50 110	NUTR310X	NUTR310	NURT50-1	NURT50-1R	—	—



INTERCHANGE



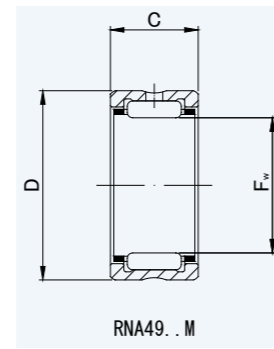
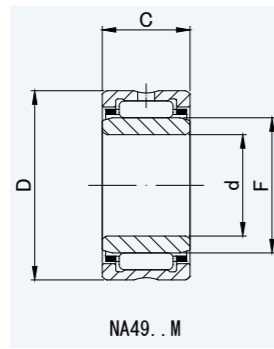
INTERCHANGE

# INTERCHANGE TABLE

## STAINLESS STEEL



**MACHINED RING NEEDLE  
ROLLER BEARINGS  
STAINLESS STEEL**  
WITH INNER RING  
WITHOUT INNER RING



**NA49M, RNA49M**  
**STAINLESS STEEL**

**NA49M, RNA49M**

DIMENSION TABLE

INTERCHANGE TABLE

JNS NUMBER WITH INNER RING	Mass (Approx.)	JNS NUMBER WITHOUT INNER RING	Mass (Approx.)	JNS NUMBER Assembled INNER RING	Dimensions(mm)				Basic dynamic load rating	Basic static load rating	IKO		INA		NTN		TORRINGTON(KOYO)	
											WITH INNER RING	WITHOUT INNER RING	WITH INNER RING	WITHOUT INNER RING	WITH INNER RING	WITHOUT INNER RING	WITH INNER RING	WITHOUT INNER RING
NA 49M	g	RNA 49M	g	IR..M	d	Fw (F)	D	C	Cr N	Cor N	—	—	—	—	—	—	—	—
<b>NA495M</b>	7.3	<b>RNA495M</b>	5.9	<b>IR5710M</b>	5	7	13	10	2 700	2 400	—	—	—	—	—	—	—	—
<b>NA496M</b>	9.1	<b>RNA496M</b>	7.3	<b>IR6810M</b>	6	8	15	10	3 500	3 100	—	—	—	—	—	—	—	—
<b>NA497M</b>	11.2	<b>RNA497M</b>	9.3	<b>IR7910M</b>	7	9	17	10	4 100	3 300	—	—	—	—	—	—	—	—
<b>NA498M</b>	15	<b>RNA498M</b>	12.6	<b>IR81011M</b>	8	10	19	11	5 700	4 600	—	—	—	—	—	—	—	—
<b>NA499M</b>	16.7	<b>RNA499M</b>	13.6	<b>IR91211M</b>	9	12	20	11	6 000	5 700	—	—	—	—	—	—	—	—
<b>NA4900M</b>	24	<b>RNA4900M</b>	16.5	<b>IR101413M</b>	10	14	22	13	8 400	9 200	—	—	—	—	—	—	—	—
<b>NA4901M</b>	26.5	<b>RNA4901M</b>	18.1	<b>IR121613M</b>	12	16	24	13	8 900	10 200	—	—	—	—	—	—	—	—
<b>NA4902M</b>	35	<b>RNA4902M</b>	21.5	<b>IR152013M</b>	15	20	28	13	10 000	12 600	—	—	—	—	—	—	—	—
<b>NA4903M</b>	39	<b>RNA4903M</b>	23.5	<b>IR172213M</b>	17	22	30	13	10 800	14 300	—	—	—	—	—	—	—	—
<b>NA4904M</b>	78.5	<b>RNA4904M</b>	55.5	<b>IR202517M</b>	20	25	37	17	19 300	23 000	—	—	—	—	—	—	—	—
<b>NA49/22M</b>	87	<b>RNA49/22M</b>	56.5	<b>IR222817M</b>	22	28	39	17	19 600	26 400	—	—	—	—	—	—	—	—
<b>NA4905M</b>	92.5	<b>RNA4905M</b>	64	<b>IR253017M</b>	25	30	42	17	21 800	28 200	—	—	—	—	—	—	—	—



INTERCHANGE

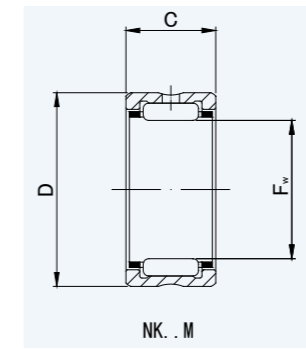
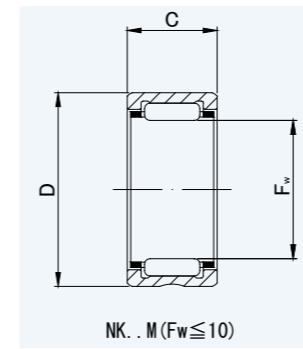
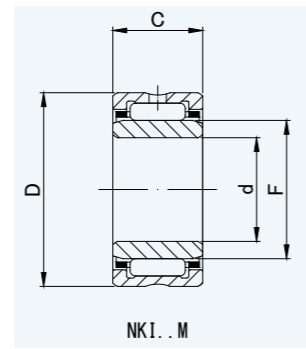
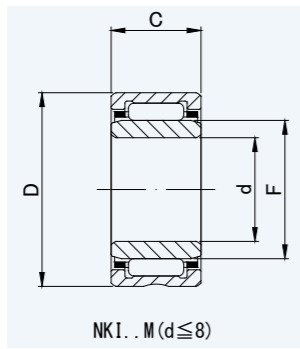


INTERCHANGE



**MACHINED RING NEEDLE  
ROLLER BEARINGS  
STAINLESS STEEL  
WITH INNER RING  
WITHOUT INNER RING**

**NKI..M, NK..M  
STAINLESS STEEL**



**NKI..M, NK..M**

DIMENSION TABLE

INTERCHANGE TABLE

JNS NUMBER WITH INNER RING	Mass (Approx.)	JNS NUMBER WITHOUT INNER RING	Mass (Approx.)	JNS NUMBER Assembled INNER RING	Dimensions(mm)				Basic dynamic load rating	Basic static load rating	IKO		INA		NTN		TORRINGTON(KOYO)	
					d	Fw (F)	D	C			Cr N	Cor N	WITH INNER RING	WITHOUT INNER RING	WITH INNER RING	WITHOUT INNER RING	WITH INNER RING	WITHOUT INNER RING
NKI..M	g	NK..M	g	IR..M	d	Fw (F)	D	C	Cr N	Cor N	—	—	—	—	—	—	—	—
—	—	<b>NK5/10M</b>	3.4	—	—	5	10	10	2 200	1 700	—	—	—	—	—	—	—	—
—	—	<b>NK5/12M</b>	4.2	—	—	5	10	12	2 800	2 400	—	—	—	—	—	—	—	—
—	—	<b>NK6/10M</b>	5.3	—	—	6	12	10	2 400	2 100	—	—	—	—	—	—	—	—
—	—	<b>NK6/12M</b>	6.4	—	—	6	12	12	3 100	2 900	—	—	—	—	—	—	—	—
—	—	<b>NK7/10M</b>	6.9	—	—	7	14	10	3 300	2 700	—	—	—	—	—	—	—	—
—	—	<b>NK7/12M</b>	8.3	—	—	7	14	12	4 200	3 700	—	—	—	—	—	—	—	—
<b>NKI 5/12M</b>	11.9	<b>NK8/12M</b>	9	<b>IR5812M</b>	5	8	15	12	4 600	4 300	—	—	—	—	—	—	—	—
<b>NKI 5/16M</b>	16.7	<b>NK8/16M</b>	13	<b>IR5816M</b>	5	8	15	16	6 500	6 700	—	—	—	—	—	—	—	—
<b>NKI 6/12M</b>	13	<b>NK9/12M</b>	10	<b>IR6912M</b>	6	9	16	12	5 000	4 800	—	—	—	—	—	—	—	—
<b>NKI 6/16M</b>	17.5	<b>NK9/16M</b>	13.2	<b>IR6916M</b>	6	9	16	16	6 900	7 500	—	—	—	—	—	—	—	—
<b>NKI 7/12M</b>	14.3	<b>NK10/12M</b>	10.7	<b>IR71012M</b>	7	10	17	12	5 400	5 500	—	—	—	—	—	—	—	—
<b>NKI 7/16M</b>	19.2	<b>NK10/16M</b>	14.3	<b>IR71016M</b>	7	10	17	16	7 500	8 400	—	—	—	—	—	—	—	—
<b>NKI 9/12M</b>	16.7	<b>NK12/12M</b>	12.2	<b>IR91212M</b>	9	12	19	12	6 000	6 700	—	—	—	—	—	—	—	—
<b>NKI 9/16M</b>	22.5	<b>NK12/16M</b>	16.3	<b>IR91216M</b>	9	12	19	16	8 400	10 300	—	—	—	—	—	—	—	—
<b>NKI 10/16M</b>	30	<b>NK14/16M</b>	21	<b>IR101416M</b>	10	14	22	16	10 800	12 600	—	—	—	—	—	—	—	—
<b>NKI 10/20M</b>	38	<b>NK14/20M</b>	26.5	<b>IR101420M</b>	10	14	22	20	13 600	17 000	—	—	—	—	—	—	—	—
—	—	<b>NK15/16M</b>	22.5	—	—	15	23	16	11 400	13 700	—	—	—	—	—	—	—	—
—	—	<b>NK15/20M</b>	28	—	—	15	23	20	14 300	18 500	—	—	—	—	—	—	—	—
<b>NKI 12/16M</b>	33.5	<b>NK16/16M</b>	23	<b>IR121616M</b>	12	16	24	16	11 300	13 800	—	—	—	—	—	—	—	—
<b>NKI 12/20M</b>	42.5	<b>NK16/20M</b>	29	<b>IR121620M</b>	12	16	24	20	14 300	18 700	—	—	—	—	—	—	—	—
—	—	<b>NK17/16M</b>	24.5	—	—	17	25	16	11 700	14 900	—	—	—	—	—	—	—	—
—	—	<b>NK17/20M</b>	30.5	—	—	17	25	20	14 900	20 300	—	—	—	—	—	—	—	—
—	—	<b>NK18/16M</b>	25.5	—	—	18	26	16	12 300	16 100	—	—	—	—	—	—	—	—
—	—	<b>NK18/20M</b>	32	—	—	18	26	20	15 600	21 700	—	—	—	—	—	—	—	—
<b>NKI 15/16M</b>	39.5	<b>NK19/16M</b>	27	<b>IR151916M</b>	15	19	27	16	12 800	17 200	—	—	—	—	—	—	—	—
<b>NKI 15/20M</b>	50	<b>NK19/20M</b>	34	<b>IR151920M</b>	15	19	27	20	16 200	23 200	—	—	—	—	—	—	—	—

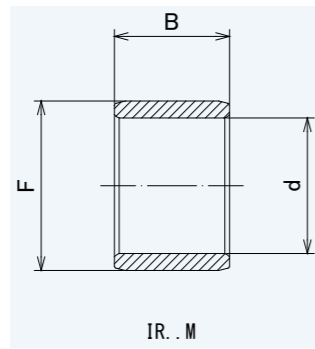
NK type of 10mm or less inscribed circle diameter (Fw) is without oil hole.  
NKI type of 8mm or less inscribed circle diameter (d) is without oil hole.



INTERCHANGE



INTERCHANGE



**IR..M**

DIMENSION TABLE

INTERCHANGE TABLE

JNS NUMBER WITH INNER RING	Mass (Approx.) g	Dimensions(mm)			JNS USABLE BEARING NUMBER	IKO	INA	NTN	TORRINGTON(KOYO)
		d	F	B					
IR	g	d	F	B		—	—	—	—
IR5710M	1.4	5	7	10	RNA495M	—	—	—	—
IR5812M	3	5	8	12	NK8/12M	—	—	—	—
IR5816M	4	5	8	16	NK8/16M	—	—	—	—
IR6810M	1.7	6	8	10	RNA496M	—	—	—	—
IR6912M	3.2	6	9	12	NK9/12M	—	—	—	—
IR6916M	4.3	6	9	16	NK9/16M	—	—	—	—
IR61010M	4	6	10	10	—	—	—	—	—
IR7910M	1.9	7	9	10	RNA497M	—	—	—	—
IR71012M	3.6	7	10	12	NK10/12M	—	—	—	—
IR71016M	5	7	10	16	NK10/16M	—	—	—	—
IR81011M	2.4	8	10	11	RNA498M	—	—	—	—
IR81210M	4.8	8	12	10	—	—	—	—	—
IR91211M	3.1	9	12	11	RNA499M	—	—	—	—
IR91212M	4.5	9	12	12	NK12/12M	—	—	—	—
IR91216M	6	9	12	16	NK12/16M	—	—	—	—
IR101412M	7	10	14	12	—	—	—	—	—
IR101413M	7.5	10	14	13	RNA4900M	—	—	—	—
IR101416M	9	10	14	16	NK14/16M	—	—	—	—
IR101420M	11.5	10	14	20	NK14/20M	—	—	—	—
IR121612M	8	12	16	12	—	—	—	—	—
IR121613M	8.5	12	16	13	RNA4901M	—	—	—	—
IR121616M	10.5	12	16	16	NK16/16M	—	—	—	—
IR121620M	13.5	12	16	20	NK16/20M	—	—	—	—
IR151916M	12.5	15	19	16	NK19/16M	—	—	—	—
IR151920M	16	15	19	20	NK19/20M	—	—	—	—
IR152012M	12	15	20	12	—	—	—	—	—
IR152013M	13.5	15	20	13	RNA4902M	—	—	—	—
IR172213M	15.5	17	22	13	RNA4903M	—	—	—	—
IR172216M	19	17	22	16	—	—	—	—	—
IR202516M	22	20	25	16	—	—	—	—	—
IR202517M	23	20	25	17	RNA4904M	—	—	—	—
IR253016M	28	25	30	16	—	—	—	—	—
IR253017M	28.5	25	30	17	RNA4905M	—	—	—	—
IR 303820M	65	30	38	20	—	—	—	—	—
IR 354220M	65	35	42	20	—	—	—	—	—
IR 506020M	135	50	60	20	—	—	—	—	—

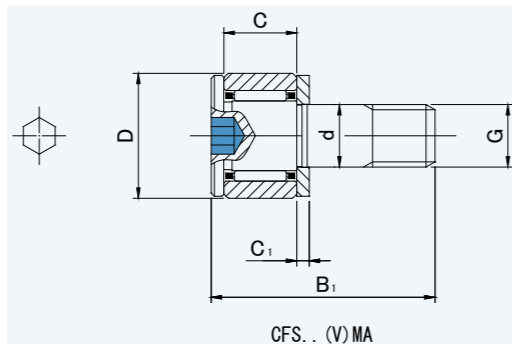


INTERCHANGE



INTERCHANGE

**CAM FOLLOWERS  
STAINLESS STEEL  
MINIATURE TYPE  
HEXAGON SOCKET ON STUD HEAD**



**CFS..MA  
STAINLESS STEEL**

**CFS..MA**

DIMENSION TABLE

INTERCHANGE TABLE

JNS NUMBER CYLINDRICAL OUTER RING	Mass (Approx.)	Dimensions(mm)						Basic dynamic load rating	Basic static load rating	INA	IKO	NTN	MCGILL
		d	D	C	G	B1	C1			CYLINDRICAL OUTER RING	CYLINDRICAL OUTER RING	CYLINDRICAL OUTER RING	CYLINDRICAL OUTER RING
CFS	g	d	D	C	G	B1	C1	Cr N	Cor N	—	CFS-F	2F-KRM	—
<b>CFS 2.5MA</b>	<b>1</b>	2.5	5	3	M2.5×0.45	9.5	0.7	370	300	—	CFS2.5F	2F-KRM5XT2H/3A	—
<b>CFS 2.5VMA</b>	<b>1</b>	2.5	5	3	M2.5×0.45	9.5	0.7	920	990	—	CFS2.5FV	2F-KRMV5XT2H/3A	—
<b>CFS 3MA</b>	<b>2</b>	3	6	4	M3×0.5	11.5	0.7	570	560	—	CFS3F	2F-KRM6XT2H/3A	—
<b>CFS 3VMA</b>	<b>2</b>	3	6	4	M3×0.5	11.5	0.7	1 260	1 620	—	CFS3FV	2F-KRMV6XT2H/3A	—
<b>CFS 4MA</b>	<b>4</b>	4	8	5	M4×0.7	15	1	990	990	—	CFS4F	2F-KRM8XT2H/3A	—
<b>CFS 4VMA</b>	<b>4</b>	4	8	5	M4×0.7	15	1	2 160	2 790	—	CFS4FV	2F-KRMV8XT2H/3A	—
<b>CFS 5MA</b>	<b>7</b>	5	10	6	M5×0.8	18	1	1 440	1 710	—	CFS5F	2F-KRM10XT2H/3A	—
<b>CFS 5VMA</b>	<b>7</b>	5	10	6	M5×0.8	18	1	2 880	4 330	—	CFS5FV	2F-KRMV10XT2H/3A	—
<b>CFS 6MA</b>	<b>13</b>	6	12	7	M6×1	21.5	1.2	1 890	1 980	—	CFS6F	2F-KRM12XT2H/3A	—
<b>CFS 6VMA</b>	<b>13</b>	6	12	7	M6×1	21.5	1.2	4 240	5 760	—	CFS6FV	2F-KRMV12XT2H/3A	—



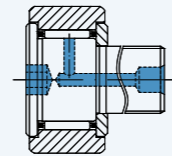
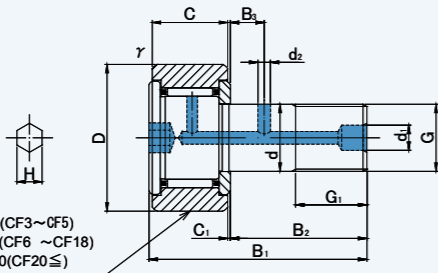
INTERCHANGE



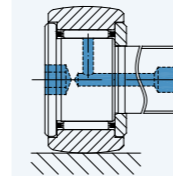
INTERCHANGE

**CAM FOLLOWERS  
STAINLESS STEEL  
HEXAGON SOCKET ON STUD HEAD**

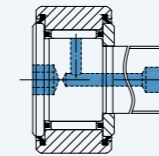
R250(CF3~CF5)  
R500(CF6 ~CF18)  
R1000(CF20≤)



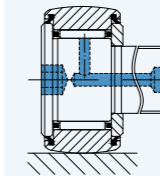
CF..MA



CF..MRA



CF..MUUA



CF..MUURA

**CF..MA, MRA, MUUA, MUURA  
STAINLESS STEEL**

**CF..MA, MRA, MUUA, MUURA**

DIMENSION TABLE

INTERCHANGE TABLE

JNS NUMBER CYLINDRICAL OUTER RING WITHOUT SEALS	JNS NUMBER CROWNED OUTER RING WITHOUT SEALS	JNS NUMBER CYLINDRICAL OUTER RING WITH SEALS	JNS NUMBER CROWNED OUTER RING WITH SEALS	Mass (Approx.) g	Dimensions(mm)						Basic dynamic load rating Cr N	Basic static load rating Cor N	INA		NTN		IKO				MCGILL	
					d	D	C	G	B1	C1			CYLINDRICAL OUTER RING WITHOUT SEALS	CROWNED OUTER RING WITHOUT SEALS	CYLINDRICAL OUTER RING WITHOUT SEALS	CROWNED OUTER RING WITHOUT SEALS	CYLINDRICAL OUTER RING WITH SEALS	CROWNED OUTER RING WITH SEALS	CYLINDRICAL OUTER RING WITHOUT SEALS	CROWNED OUTER RING WITHOUT SEALS		
CF..MA	CF..MRA	CF..MUUA	CF..MUURA		d	D	C	G	B1	C1	Cr N	Cor N	—	—	—	—	CF-FB	CF-FBR	CF-FBUU	CF-FBUUR	—	—
CF3MA	CF3MRA	CF3MUUA	CF3MUURA	4.5	3	10	7	M3×0.5	17	0.5	1 350	1 080	—	—	—	—	CF3FB	CF3FBR	CF3FBUU	CF3FBUUR	—	—
CF3VMA	CF3VMRA	CF3VMUUA	CF3VMUURA	4.5	3	10	7	M3×0.5	17	0.5	2 570	2 300	—	—	—	—	—	—	—	—	—	—
CF4MA	CF4MRA	CF4MUUA	CF4MUURA	7.5	4	12	8	M4×0.7	20	0.5	1 890	1 880	—	—	—	—	CF4FB	CF4FBR	CF4FBUU	CF4FBUUR	—	—
CF4VMA	CF4VMRA	CF4VMUUA	CF4VMUURA	7.5	4	12	8	M4×0.7	20	0.5	3 680	3 950	—	—	—	—	—	—	—	—	—	—
CF5MA	CF5MRA	CF5MUUA	CF5MUURA	10.5	5	13	9	M5×0.8	23	0.5	2 880	2 540	—	—	—	—	CF5FB	CF5FBR	CF5FBUU	CF5FBUUR	—	—
CF5VMA	CF5VMRA	CF5VMUUA	CF5VMUURA	10.5	5	13	9	M5×0.8	23	0.5	4 690	5 060	—	—	—	—	—	—	—	—	—	—
CF6MA	CF6MRA	CF6MUUA	CF6MUURA	18.5	6	16	11	M6×1	28	0.6	3 330	3 330	—	—	—	—	—	CF6FBR	—	CF6FBUUR	—	—
CF6VMA	CF6VMRA	CF6VMUUA	CF6VMUURA	18.5	6	16	11	M6×1	28	0.6	6 400	7 840	—	—	—	—	—	—	—	—	—	—
CF8MA	CF8MRA	CF8MUUA	CF8MUURA	28.5	8	19	11	M8×1.25	32	0.6	3 960	4 330	—	—	—	—	—	CF8FBR	—	CF8FBUUR	—	—
CF8VMA	CF8VMRA	CF8VMUUA	CF8VMUURA	28.5	8	19	11	M8×1.25	32	0.6	7 470	10 270	—	—	—	—	—	—	—	—	—	—
CF10MA	CF10MRA	CF10MUUA	CF10MUURA	45	10	22	12	M10×1.25	36	0.6	4 950	6 310	—	—	—	—	—	CF10FBR	—	CF10FBUUR	—	—
CF10VMA	CF10VMRA	CF10VMUUA	CF10VMUURA	45	10	22	12	M10×1.25	36	0.6	8 740	13 340	—	—	—	—	—	—	—	—	—	—
CF10MAK	CF10MRAK	CF10MUUAK	CF10MUURAK	45	10	22	12	M10×1	36	0.6	4 950	6 310	—	—	—	—	—	—	—	—	—	—
CF10VMAK	CF10VMRAK	CF10VMUUAK	CF10VMUURAK	45	10	22	12	M10×1	36	0.6	8 740	13 340	—	—	—	—	—	—	—	—	—	—
CF10-1MA	CF10-1MRA	CF10-1MUUA	CF10-1MUURA	60	10	26	12	M10×1.25	36	0.6	4 950	6 310	—	—	—	—	—	—	—	—	—	—
CF10-1VMA	CF10-1VMRA	CF10-1VMUUA	CF10-1VMUURA	60	10	26	12	M10×1.25	36	0.6	8 740	13 340	—	—	—	—	—	—	—	—	—	—
CF10-1MAK	CF10-1MRAK	CF10-1MUUAK	CF10-1MUURAK	60	10	26	12	M10×1	36	0.6	4 950	6 310	—	—	—	—	—	—	—	—	—	—
CF10-1VMAK	CF10-1VMRAK	CF10-1VMUUAK	CF10-1VMUURAK	60	10	26	12	M10×1	36	0.6	8 740	13 340	—	—	—	—	—	—	—	—	—	—
CF12MA	CF12MRA	CF12MUUA	CF12MUURA	95	12	30	14	M12×1.5	40	0.6	7 300	9 010	—	—	—	—	—	CF12FBR	—	CF12FBUUR	—	—
CF12VMA	CF12VMRA	CF12VMUUA	CF12VMUURA	95	12	30	14	M12×1.5	40	0.6	12 350	18 120	—	—	—	—	—	—	—	—	—	—
CF12-1MA	CF12-1MRA	CF12-1MUUA	CF12-1MUURA	105	12	32	14	M12×1.5	40	0.6	7 300	9 010	—	—	—	—	—	—	—	—	—	—
CF12-1VMA	CF12-1VMRA	CF12-1VMUUA	CF12-1VMUURA	105	12	32	14	M12×1.5	40	0.6	12 350	18 120	—	—	—	—	—	—	—	—	—	—
CF16MA	CF16MRA	CF16MUUA	CF16MUURA	170	16	35	18	M16×1.5	52	0.8	11 080	16 860	—	—	—	—	—	CF16FBR	—	CF16FBUUR	—	—
CF16VMA	CF16VMRA	CF16VMUUA	CF16VMUURA	170	16	35	18	M16×1.5	52	0.8	19 020	34 610	—	—	—	—	—	—	—	—	—	—
CF18MA	CF18MRA	CF18MUUA	CF18MUURA	250	18	40	20	M18×1.5	58	0.8	13 520	23 180	—	—	—	—	—	CF18FBR	—	CF18FBUUR	—	—
CF18VMA	CF18VMRA	CF18VMUUA	CF18VMUURA	250	18	40	20	M18×1.5	58	0.8	23 250	47 240	—	—	—	—	—	—	—	—	—	—
CF20MA	CF20MRA	CF20MUUA	CF20MUURA	460	20	52	24	M20×1.5	66	0.8	19 020	31 830	—	—	—	—	—	CF20FBR	—	CF20FBUUR	—	—
CF20VMA	CF20VMRA	CF20VMUUA	CF20VMUURA	460	20	52	24	M20×1.5	66	0.8	30 470	59 320	—	—	—	—	—	—	—	—	—	—
CF20-1MA	CF20-1MRA	CF20-1MUUA	CF20-1MUURA	385	20	47	24	M20×1.5	66	0.8	19 020	31 830	—	—	—	—	—	—	—	—	—	—
CF20-1VMA	CF20-1VMRA	CF20-1VMUUA	CF20-1VMUURA	385	20	47	24	M20×1.5	66	0.8	30 470	59 320	—	—	—	—	—	—	—	—	—	—
CF24MA	CF24MRA	CF24MUUA	CF24MUURA	815	24	62	29	M24×1.5	80	0.8	28 040	48 410	—	—	—	—	—	—	—	—	—	—
CF24VMA	CF24VMRA	CF24VMUUA	CF24VMUURA	815	24	62	29	M24×1.5	80	0.8	42 820	84 650	—	—	—	—	—	—	—	—	—	—
CF24-1MA	CF24-1MRA	CF24-1MUUA	CF24-1MUURA	1 140	24	72	29	M24×1.5	80	0.8	28 040	48 410	—	—	—	—	—	—	—	—	—	—
CF24-1VMA	CF24-1VMRA	CF24-1VMUUA	CF24-1VMUURA	1 140	24	72	29	M24×1.5	80	0.8	42 820	84 650	—	—	—	—	—	—	—	—	—	—

Stud diameter (d) 3 to 10mm : No grease refilling hole is provided (except "K" type)



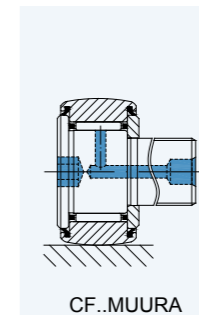
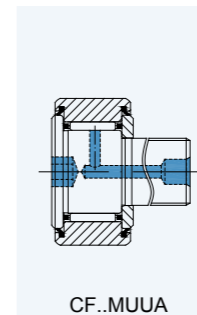
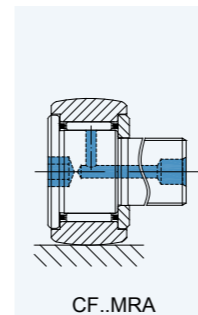
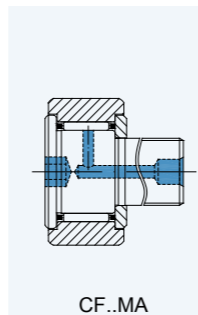
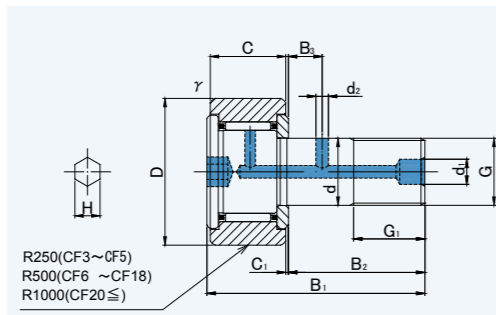
INTERCHANGE



INTERCHANGE



**CAM FOLLOWERS  
STAINLESS STEEL  
HEXAGON SOCKET ON STUD HEAD**



**CF..MA, MRA, MUUA, MUURA  
STAINLESS STEEL**

**CF..MA, MRA, MUUA, MUURA**

DIMENSION TABLE

JNS NUMBER CYLINDRICAL OUTER RING WITHOUT SEALS	JNS NUMBER CROWNED OUTER RING WITHOUT SEALS	JNS NUMBER CYLINDRICAL OUTER RING WITH SEALS	JNS NUMBER CROWNED OUTER RING WITH SEALS	Mass (Approx.)	Dimensions(mm)						Basic dynamic load rating	Basic static load rating
					d	D	C	G	B1	C1		
CF..MA	CF..MRA	CF..MUUA	CF..MUURA	g	d	D	C	G	B1	C1	Cr N	Cor N
CF30MA	CF30MRA	CF30MUUA	CF30MUURA	1 870	30	80	35	M30×1.5	100	1	41 740	78 250
CF30VMA	CF30VMRA	CF30VMUUA	CF30VMUURA	1 870	30	80	35	M30×1.5	100	1	62 210	132 530
CF30-1MA	CF30-1MRA	CF30-1MUUA	CF30-1MUURA	2 030	30	85	35	M30×1.5	100	1	41 740	78 250
CF30-1VMA	CF30-1VMRA	CF30-1VMUUA	CF30-1VMUURA	2 030	30	85	35	M30×1.5	100	1	62 210	132 530
CF30-2MA	CF30-2MRA	CF30-2MUUA	CF30-2MUURA	2 220	30	90	35	M30×1.5	100	1	41 740	78 250
CF30-2VMA	CF30-2VMRA	CF30-2VMUUA	CF30-2VMUURA	2 220	30	90	35	M30×1.5	100	1	62 210	132 530

INTERCHANGE TABLE

INA		NTN		IKO				MCGILL	
CYLINDRICAL OUTER RING WITHOUT SEALS	CROWNED OUTER RING WITHOUT SEALS	CYLINDRICAL OUTER RING WITHOUT SEALS	CROWNED OUTER RING WITHOUT SEALS	CYLINDRICAL OUTER RING WITHOUT SEALS	CROWNED OUTER RING WITHOUT SEALS	CYLINDRICAL OUTER RING WITH SEALS	CROWNED OUTER RING WITH SEALS	CYLINDRICAL OUTER RING WITHOUT SEALS	CROWNED OUTER RING WITHOUT SEALS
—	—	—	—	—	—	—	—	—	—
—	—	—	—	—	—	—	—	—	—
—	—	—	—	—	—	—	—	—	—
—	—	—	—	—	—	—	—	—	—
—	—	—	—	—	—	—	—	—	—
—	—	—	—	—	—	—	—	—	—

Stud diameter (d) 3 to 10mm : No grease refilling hole is provided (except "K" type)

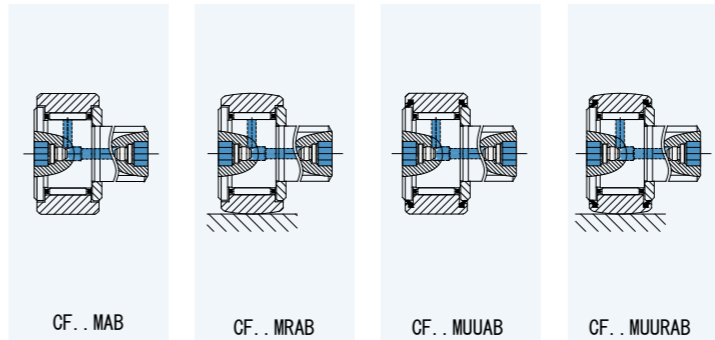
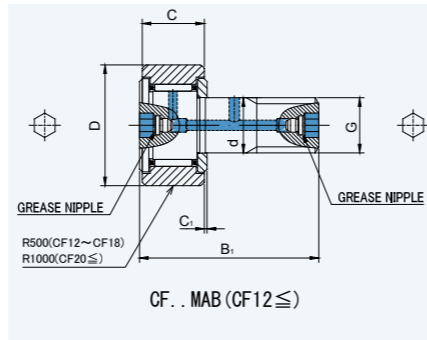
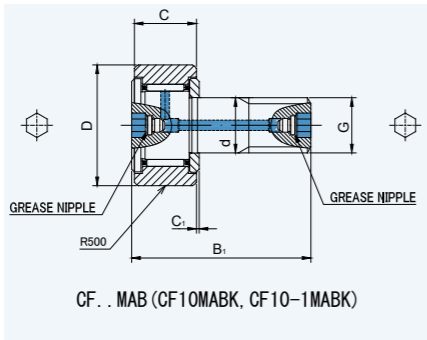


INTERCHANGE



INTERCHANGE

**CAM FOLLOWERS  
STAINLESS STEEL**  
HEXAGON SOCKET ON BOTH SIDES  
GREASE NIPPLE INSTALLED



**CF..MAB, MRAB, MUUAB, MUURAB**  
**STAINLESS STEEL**

**CF..MAB, MRAB, MUUAB, MUURAB**

DIMENSION TABLE

INTERCHANGE TABLE

JNS NUMBER CYLINDRICAL OUTER RING WITHOUT SEALS	JNS NUMBER CROWNED OUTER RING WITHOUT SEALS	JNS NUMBER CYLINDRICAL OUTER RING WITH SEALS	JNS NUMBER CROWNED OUTER RING WITH SEALS	Mass (Approx.) g	Dimensions(mm)						Basic dynamic load rating Cr N	Basic static load rating Cor N	INA		NTN		IKO		MCGILL	
					d	D	C	G	B1	C1			CYLINDRICAL OUTER RING WITHOUT SEALS	CROWNED OUTER RING WITHOUT SEALS	CYLINDRICAL OUTER RING WITHOUT SEALS	CROWNED OUTER RING WITHOUT SEALS	CYLINDRICAL OUTER RING WITHOUT SEALS	CROWNED OUTER RING WITHOUT SEALS	CYLINDRICAL OUTER RING WITHOUT SEALS	CROWNED OUTER RING WITHOUT SEALS
CF..MAB	CF..MRAB	CF..MUUAB	CF..MUURAB										—	—	—	—	—	—	—	—
CF10MABK	CF10MRABK	CF10MUUABK	CF10MUURABK	45	10	22	12	M10×1	36	0.6	4 950	6 310	—	—	—	—	—	—	—	—
CF10VMABK	CF10VMRABK	CF10VMUUABK	CF10VMUURABK	45	10	22	12	M10×1	36	0.6	8 740	13 340	—	—	—	—	—	—	—	—
CF10-1MABK	CF10-1MRABK	CF10-1MUUABK	CF10-1MUURABK	60	10	26	12	M10×1	36	0.6	4 950	6 310	—	—	—	—	—	—	—	—
CF10-1VMABK	CF10-1VMRABK	CF10-1VMUUABK	CF10-1VMUURABK	60	10	26	12	M10×1	36	0.6	8 740	13 340	—	—	—	—	—	—	—	—
CF12MAB	CF12MRAB	CF12MUUAB	CF12MUURAB	95	12	30	14	M12×1.5	40	0.6	7 300	9 010	—	—	—	—	—	—	—	—
CF12VMAB	CF12VMRAB	CF12VMUUAB	CF12VMUURAB	95	12	30	14	M12×1.5	40	0.6	12 350	18 120	—	—	—	—	—	—	—	—
CF12-1MAB	CF12-1MRAB	CF12-1MUUAB	CF12-1MUURAB	105	12	32	14	M12×1.5	40	0.6	7 300	9 010	—	—	—	—	—	—	—	—
CF12-1VMAB	CF12-1VMRAB	CF12-1VMUUAB	CF12-1VMUURAB	105	12	32	14	M12×1.5	40	0.6	12 350	18 120	—	—	—	—	—	—	—	—
CF16MAB	CF16MRAB	CF16MUUAB	CF16MUURAB	170	16	35	18	M16×1.5	52	0.8	11 080	16 860	—	—	—	—	—	—	—	—
CF16VMAB	CF16VMRAB	CF16VMUUAB	CF16VMUURAB	170	16	35	18	M16×1.5	52	0.8	19 020	34 610	—	—	—	—	—	—	—	—
CF18MAB	CF18MRAB	CF18MUUAB	CF18MUURAB	250	18	40	20	M18×1.5	58	0.8	13 520	23 180	—	—	—	—	—	—	—	—
CF18VMAB	CF18VMRAB	CF18VMUUAB	CF18VMUURAB	250	18	40	20	M18×1.5	58	0.8	23 250	47 240	—	—	—	—	—	—	—	—
CF20MAB	CF20MRAB	CF20MUUAB	CF20MUURAB	460	20	52	24	M20×1.5	66	0.8	19 020	31 830	—	—	—	—	—	—	—	—
CF20VMAB	CF20VMRAB	CF20VMUUAB	CF20VMUURAB	460	20	52	24	M20×1.5	66	0.8	30 470	59 320	—	—	—	—	—	—	—	—
CF20-1MAB	CF20-1MRAB	CF20-1MUUAB	CF20-1MUURAB	385	20	47	24	M20×1.5	66	0.8	19 020	31 830	—	—	—	—	—	—	—	—
CF20-1VMAB	CF20-1VMRAB	CF20-1VMUUAB	CF20-1VMUURAB	385	20	47	24	M20×1.5	66	0.8	30 470	59 320	—	—	—	—	—	—	—	—
CF24MAB	CF24MRAB	CF24MUUAB	CF24MUURAB	815	24	62	29	M24×1.5	80	0.8	28 040	48 410	—	—	—	—	—	—	—	—
CF24VMAB	CF24VMRAB	CF24VMUUAB	CF24VMUURAB	815	24	62	29	M24×1.5	80	0.8	42 820	84 650	—	—	—	—	—	—	—	—
CF24-1MAB	CF24-1MRAB	CF24-1MUUAB	CF24-1MUURAB	1 140	24	72	29	M24×1.5	80	0.8	28 040	48 410	—	—	—	—	—	—	—	—
CF24-1VMAB	CF24-1VMRAB	CF24-1VMUUAB	CF24-1VMUURAB	1 140	24	72	29	M24×1.5	80	0.8	42 820	84 650	—	—	—	—	—	—	—	—
CF30MAB	CF30MRAB	CF30MUUAB	CF30MUURAB	1 870	30	80	35	M30×1.5	100	1	41 740	78 250	—	—	—	—	—	—	—	—
CF30VMAB	CF30VMRAB	CF30VMUUAB	CF30VMUURAB	1 870	30	80	35	M30×1.5	100	1	62 210	132 530	—	—	—	—	—	—	—	—
CF30-1MAB	CF30-1MRAB	CF30-1MUUAB	CF30-1MUURAB	2 030	30	85	35	M30×1.5	100	1	41 740	78 250	—	—	—	—	—	—	—	—
CF30-1VMAB	CF30-1VMRAB	CF30-1VMUUAB	CF30-1VMUURAB	2 030	30	85	35	M30×1.5	100	1	62 210	132 530	—	—	—	—	—	—	—	—
CF30-2MAB	CF30-2MRAB	CF30-2MUUAB	CF30-2MUURAB	2 220	30	90	35	M30×1.5	100	1	41 740	78 250	—	—	—	—	—	—	—	—
CF30-2VMAB	CF30-2VMRAB	CF30-2VMUUAB	CF30-2VMUURAB	2 220	30	90	35	M30×1.5	100	1	62 210	132 530	—	—	—	—	—	—	—	—

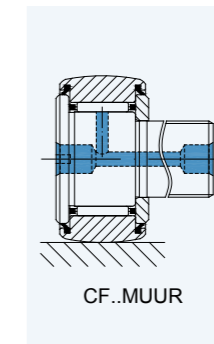
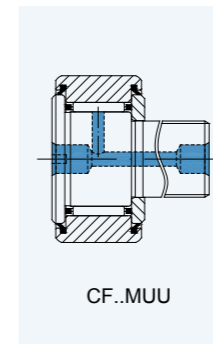
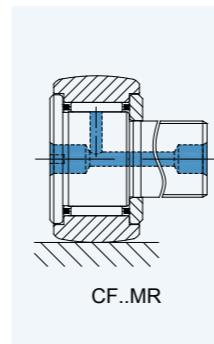
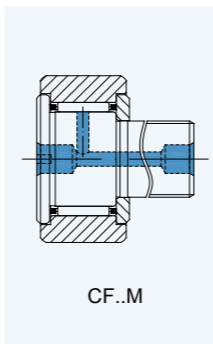
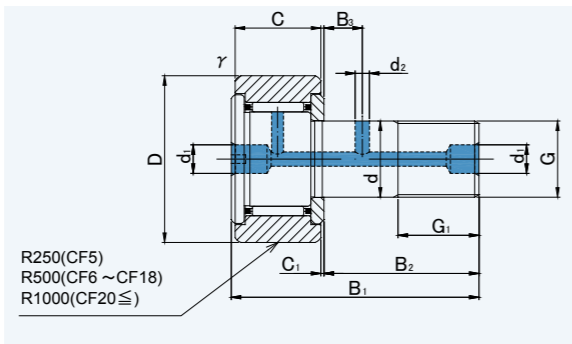


INTERCHANGE



INTERCHANGE

**CAM FOLLOWERS  
STAINLESS STEEL  
SCREWDRIVER SLOT HEAD**



**CF..M, MR, MUU, MUUR  
STAINLESS STEEL**

**CF..M, MR, MUU, MUUR**

DIMENSION TABLE

INTERCHANGE TABLE

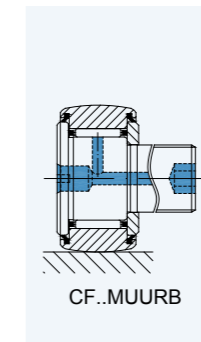
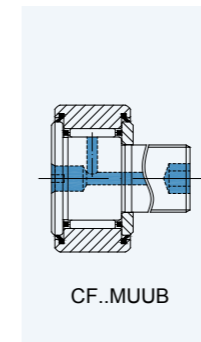
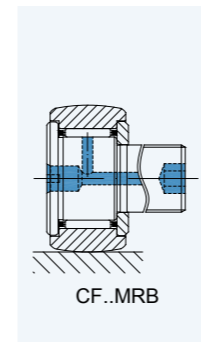
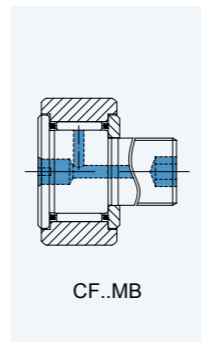
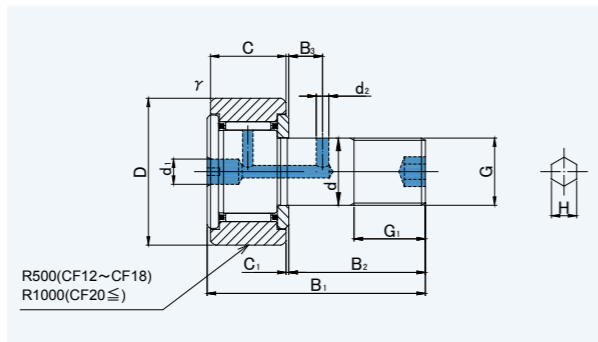
JNS NUMBER CYLINDRICAL OUTER RING WITHOUT SEALS	JNS NUMBER CROWNED OUTER RING WITHOUT SEALS	JNS NUMBER CYLINDRICAL OUTER RING WITH SEALS	JNS NUMBER CROWNED OUTER RING WITH SEALS	Mass (Approx.)	Dimensions(mm)						Basic dynamic load rating	Basic static load rating	INA		NTN		IKO		MCGILL	
					d	D	C	G	B1	C1			Cr N	Cor N	CYLINDRICAL OUTER RING WITHOUT SEALS	CROWNED OUTER RING WITHOUT SEALS	CYLINDRICAL OUTER RING WITHOUT SEALS	CROWNED OUTER RING WITHOUT SEALS	CYLINDRICAL OUTER RING WITHOUT SEALS	CROWNED OUTER RING WITHOUT SEALS
CF..M	CF..MR	CF..MUU	CF..MUUR	g	d	D	C	G	B1	C1	Cr N	Cor N	—	—	—	—	—	—	—	—
CF5M	CF5MR	CF5MUU	CF5MUUR	10.5	5	13	9	M5×0.8	23	0.5	2 880	2 540	—	—	—	—	—	—	—	—
CF5VM	CF5VMR	CF5VMUU	CF5VMUUR	10.5	5	13	9	M5×0.8	23	0.5	4 690	5 060	—	—	—	—	—	—	—	—
CF6M	CF6MR	CF6MUU	CF6MUUR	18.5	6	16	11	M6×1	28	0.6	3 330	3 330	—	—	—	—	—	—	—	—
CF6VM	CF6VMR	CF6VMUU	CF6VMUUR	18.5	6	16	11	M6×1	28	0.6	6 400	7 840	—	—	—	—	—	—	—	—
CF8M	CF8MR	CF8MUU	CF8MUUR	28.5	8	19	11	M8×1.25	32	0.6	3 960	4 330	—	—	—	—	—	—	—	—
CF8VM	CF8VMR	CF8VMUU	CF8VMUUR	28.5	8	19	11	M8×1.25	32	0.6	7 470	10 270	—	—	—	—	—	—	—	—
CF10M	CF10MR	CF10MUU	CF10MUUR	45	10	22	12	M10×1.25	36	0.6	4 950	6 310	—	—	—	—	—	—	—	—
CF10VM	CF10VMR	CF10VMUU	CF10VMUUR	45	10	22	12	M10×1.25	36	0.6	8 740	13 340	—	—	—	—	—	—	—	—
CF10MK	CF10MRK	CF10MUUK	CF10MUURK	45	10	22	12	M10×1	36	0.6	4 950	6 310	—	—	—	—	—	—	—	—
CF10VMK	CF10VMRK	CF10VMUUK	CF10VMUURK	45	10	22	12	M10×1	36	0.6	8 740	13 340	—	—	—	—	—	—	—	—
CF10-1M	CF10-1MR	CF10-1MUU	CF10-1MUUR	60	10	26	12	M10×1.25	36	0.6	4 950	6 310	—	—	—	—	—	—	—	—
CF10-1VM	CF10-1VMR	CF10-1VMUU	CF10-1VMUUR	60	10	26	12	M10×1.25	36	0.6	8 740	13 340	—	—	—	—	—	—	—	—
CF10-1MK	CF10-1MRK	CF10-1MUUK	CF10-1MUURK	60	10	26	12	M10×1	36	0.6	4 950	6 310	—	—	—	—	—	—	—	—
CF10-1VMK	CF10-1VMRK	CF10-1VMUUK	CF10-1VMUURK	60	10	26	12	M10×1	36	0.6	8 740	13 340	—	—	—	—	—	—	—	—
CF12M	CF12MR	CF12MUU	CF12MUUR	95	12	30	14	M12×1.5	40	0.6	7 300	9 010	—	—	—	—	—	—	—	—
CF12VM	CF12VMR	CF12VMUU	CF12VMUUR	95	12	30	14	M12×1.5	40	0.6	12 350	18 120	—	—	—	—	—	—	—	—
CF12-1M	CF12-1MR	CF12-1MUU	CF12-1MUUR	105	12	32	14	M12×1.5	40	0.6	7 300	9 010	—	—	—	—	—	—	—	—
CF12-1VM	CF12-1VMR	CF12-1VMUU	CF12-1VMUUR	105	12	32	14	M12×1.5	40	0.6	12 350	18 120	—	—	—	—	—	—	—	—
CF16M	CF16MR	CF16MUU	CF16MUUR	170	16	35	18	M16×1.5	52	0.8	11 080	16 860	—	—	—	—	—	—	—	—
CF16VM	CF16VMR	CF16VMUU	CF16VMUUR	170	16	35	18	M16×1.5	52	0.8	19 020	34 610	—	—	—	—	—	—	—	—
CF18M	CF18MR	CF18MUU	CF18MUUR	250	18	40	20	M18×1.5	58	0.8	13 520	23 180	—	—	—	—	—	—	—	—
CF18VM	CF18VMR	CF18VMUU	CF18VMUUR	250	18	40	20	M18×1.5	58	0.8	23 250	47 240	—	—	—	—	—	—	—	—
CF20M	CF20MR	CF20MUU	CF20MUUR	460	20	52	24	M20×1.5	66	0.8	19 020	31 830	—	—	—	—	—	—	—	—
CF20VM	CF20VMR	CF20VMUU	CF20VMUUR	460	20	52	24	M20×1.5	66	0.8	30 470	59 320	—	—	—	—	—	—	—	—
CF20-1M	CF20-1MR	CF20-1MUU	CF20-1MUUR	385	20	47	24	M20×1.5	66	0.8	19 020	31 830	—	—	—	—	—	—	—	—
CF20-1VM	CF20-1VMR	CF20-1VMUU	CF20-1VMUUR	385	20	47	24	M20×1.5	66	0.8	30 470	59 320	—	—	—	—	—	—	—	—
CF24M	CF24MR	CF24MUU	CF24MUUR	815	24	62	29	M24×1.5	80	0.8	28 040	48 410	—	—	—	—	—	—	—	—
CF24VM	CF24VMR	CF24VMUU	CF24VMUUR	815	24	62	29	M24×1.5	80	0.8	42 820	84 650	—	—	—	—	—	—	—	—
CF24-1M	CF24-1MR	CF24-1MUU	CF24-1MUUR	1 140	24	72	29	M24×1.5	80	0.8	28 040	48 410	—	—	—	—	—	—	—	—
CF24-1VM	CF24-1VMR	CF24-1VMUU	CF24-1VMUUR	1 140	24	72	29	M24×1.5	80	0.8	42 820	84 650	—	—	—	—	—	—	—	—
CF30M	CF30MR	CF30MUU	CF30MUUR	1 870	30	80	35	M30×1.5	100	1	41 740	78 250	—	—	—	—	—	—	—	—
CF30VM	CF30VMR	CF30VMUU	CF30VMUUR	1 870	30	80	35	M30×1.5	100	1	62 210	132 530	—	—	—	—	—	—	—	—
CF30-1M	CF30-1MR	CF30-1MUU	CF30-1MUUR	2 030	30	85	35	M30×1.5	100	1	41 740	78 250	—	—	—	—	—	—	—	—
CF30-1VM	CF30-1VMR	CF30-1VMUU	CF30-1VMUUR	2 030	30	85	35	M30×1.5	100	1	62 210	132 530	—	—	—	—	—	—	—	—
CF30-2M	CF30-2MR	CF30-2MUU	CF30-2MUUR	2 220	30	90	35	M30×1.5	100	1	41 740	78 250	—	—	—	—	—	—	—	—
CF30-2VM	CF30-2VMR	CF30-2VMUU	CF30-2VMUUR	2 220	30	90	35	M30×1.5	100	1	62 210	132 530	—	—	—	—	—	—	—	—

Stud diameter (d) 5 to 10mm : Without oil hole in the thread side.(except "K" type)

INTERCHANGE

INTERCHANGE

**CAM FOLLOWERS  
STAINLESS STEEL  
HEXAGON SOCKET ON THREAD SIDE  
SCREWDRIVER SLOT HEAD**



**CF..MB, MRB, MUUB, MUURB  
STAINLESS STEEL**

**CF..MB, MRB, MUUB, MUURB**

DIMENSION TABLE

INTERCHANGE TABLE

JNS NUMBER CYLINDRICAL OUTER RING WITHOUT SEALS	JNS NUMBER CROWNED OUTER RING WITHOUT SEALS	JNS NUMBER CYLINDRICAL OUTER RING WITH SEALS	JNS NUMBER CROWNED OUTER RING WITH SEALS	Mass (Approx.)	Dimensions(mm)						Basic dynamic load rating	Basic static load rating	INA		NTN		IKO		MCGILL	
					d	D	C	G	B1	C1			Cr N	Cor N	CYLINDRICAL OUTER RING WITHOUT SEALS	CROWNED OUTER RING WITHOUT SEALS	CYLINDRICAL OUTER RING WITHOUT SEALS	CROWNED OUTER RING WITHOUT SEALS	CYLINDRICAL OUTER RING WITHOUT SEALS	CROWNED OUTER RING WITHOUT SEALS
CF..MB	CF..MRB	CF..MUUB	CF..MUURB	g	d	D	C	G	B1	C1	Cr N	Cor N	—	—	—	—	—	—	—	—
CF12MB	CF12MRB	CF12MUUB	CF12MUURB	95	12	30	14	M12×1.5	40	0.6	7 300	9 010	—	—	—	—	—	—	—	—
CF12VMB	CF12VMRB	CF12VMUUB	CF12VMUURB	95	12	30	14	M12×1.5	40	0.6	12 350	18 120	—	—	—	—	—	—	—	—
CF12-1MB	CF12-1MRB	CF12-1MUUB	CF12-1MUURB	105	12	32	14	M12×1.5	40	0.6	7 300	9 010	—	—	—	—	—	—	—	—
CF12-1VMB	CF12-1VMRB	CF12-1VMUUB	CF12-1VMUURB	105	12	32	14	M12×1.5	40	0.6	12 350	18 120	—	—	—	—	—	—	—	—
CF16MB	CF16MRB	CF16MUUB	CF16MUURB	170	16	35	18	M16×1.5	52	0.8	11 080	16 860	—	—	—	—	—	—	—	—
CF16VMB	CF16VMRB	CF16VMUUB	CF16VMUURB	170	16	35	18	M16×1.5	52	0.8	19 020	34 610	—	—	—	—	—	—	—	—
CF18MB	CF18MRB	CF18MUUB	CF18MUURB	250	18	40	20	M18×1.5	58	0.8	13 520	23 180	—	—	—	—	—	—	—	—
CF18VMB	CF18VMRB	CF18VMUUB	CF18VMUURB	250	18	40	20	M18×1.5	58	0.8	23 250	47 240	—	—	—	—	—	—	—	—
CF20MB	CF20MRB	CF20MUUB	CF20MUURB	460	20	52	24	M20×1.5	66	0.8	19 020	31 830	—	—	—	—	—	—	—	—
CF20VMB	CF20VMRB	CF20VMUUB	CF20VMUURB	460	20	52	24	M20×1.5	66	0.8	30 470	59 320	—	—	—	—	—	—	—	—
CF20-1MB	CF20-1MRB	CF20-1MUUB	CF20-1MUURB	385	20	47	24	M20×1.5	66	0.8	19 020	31 830	—	—	—	—	—	—	—	—
CF20-1VMB	CF20-1VMRB	CF20-1VMUUB	CF20-1VMUURB	385	20	47	24	M20×1.5	66	0.8	30 470	59 320	—	—	—	—	—	—	—	—
CF24MB	CF24MRB	CF24MUUB	CF24MUURB	815	24	62	29	M24×1.5	80	0.8	28 040	48 410	—	—	—	—	—	—	—	—
CF24VMB	CF24VMRB	CF24VMUUB	CF24VMUURB	815	24	62	29	M24×1.5	80	0.8	42 820	84 650	—	—	—	—	—	—	—	—
CF24-1MB	CF24-1MRB	CF24-1MUUB	CF24-1MUURB	1 140	24	72	29	M24×1.5	80	0.8	28 040	48 410	—	—	—	—	—	—	—	—
CF24-1VMB	CF24-1VMRB	CF24-1VMUUB	CF24-1VMUURB	1 140	24	72	29	M24×1.5	80	0.8	42 820	84 650	—	—	—	—	—	—	—	—
CF30MB	CF30MRB	CF30MUUB	CF30MUURB	1 870	30	80	35	M30×1.5	100	1	41 740	78 250	—	—	—	—	—	—	—	—
CF30VMB	CF30VMRB	CF30VMUUB	CF30VMUURB	1 870	30	80	35	M30×1.5	100	1	62 210	132 530	—	—	—	—	—	—	—	—
CF30-1MB	CF30-1MRB	CF30-1MUUB	CF30-1MUURB	2 030	30	85	35	M30×1.5	100	1	41 740	78 250	—	—	—	—	—	—	—	—
CF30-1VMB	CF30-1VMRB	CF30-1VMUUB	CF30-1VMUURB	2 030	30	85	35	M30×1.5	100	1	62 210	132 530	—	—	—	—	—	—	—	—
CF30-2MB	CF30-2MRB	CF30-2MUUB	CF30-2MUURB	2 220	30	90	35	M30×1.5	100	1	41 740	78 250	—	—	—	—	—	—	—	—
CF30-2VMB	CF30-2VMRB	CF30-2VMUUB	CF30-2VMUURB	2 220	30	90	35	M30×1.5	100	1	62 210	132 530	—	—	—	—	—	—	—	—



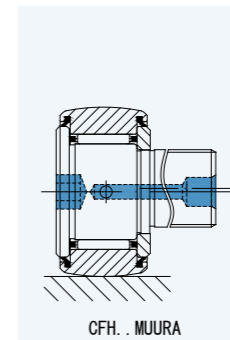
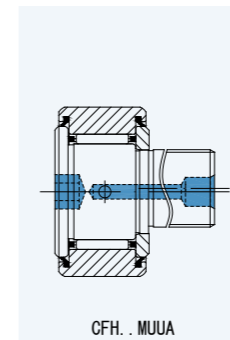
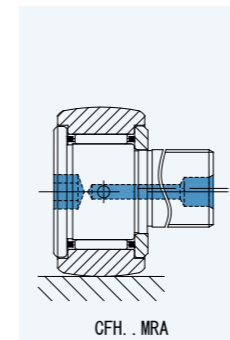
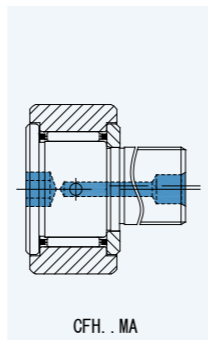
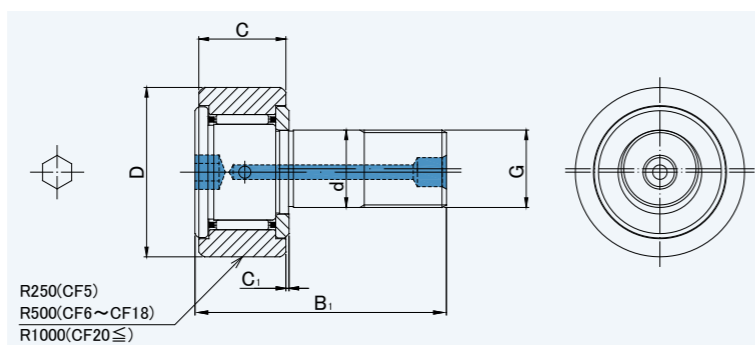
INTERCHANGE



INTERCHANGE



**CAM FOLLOWERS  
STAINLESS STEEL  
SOLID ECCENTRIC TYPE  
HEXAGON SOCKET ON STUD HEAD**



**CFH..MA, MRA, MUUA, MUURA  
STAINLESS STEEL**

**CFH..MA, MRA, MUUA, MUURA**

DIMENSION TABLE

INTERCHANGE TABLE

JNS NUMBER CYLINDRICAL OUTER RING WITHOUT SEALS	JNS NUMBER CROWNED OUTER RING WITHOUT SEALS	JNS NUMBER CYLINDRICAL OUTER RING WITH SEALS	JNS NUMBER CROWNED OUTER RING WITH SEALS	Mass (Approx.) g	Dimensions(mm)						Basic dynamic load rating Cr N	Basic static load rating Cor N	INA		NTN		IKO		MCGILL	
					d	D	C	G	B1	C1			CYLINDRICAL OUTER RING WITHOUT SEALS	CROWNED OUTER RING WITHOUT SEALS	CYLINDRICAL OUTER RING WITHOUT SEALS	CROWNED OUTER RING WITHOUT SEALS	CYLINDRICAL OUTER RING WITHOUT SEALS	CROWNED OUTER RING WITHOUT SEALS	CYLINDRICAL OUTER RING WITHOUT SEALS	CROWNED OUTER RING WITHOUT SEALS
CFH..MA	CFH..MRA	CFH..MUUA	CFH..MUURA										—	—	—	—	—	—	—	
CFH5MA	CFH5MRA	CFH5MUUA	CFH5MUURA	10.5	5	13	9	M5×0.8	23	0.5	2 880	2 540	—	—	—	—	—	—	—	
CFH5VMA	CFH5VMRA	CFH5VMUUA	CFH5VMUURA	10.5	5	13	9	M5×0.8	23	0.5	4 690	5 060	—	—	—	—	—	—	—	
CFH6MA	CFH6MRA	CFH6MUUA	CFH6MUURA	18.5	6	16	11	M6×1	28	0.6	3 330	3 330	—	—	—	—	—	—	—	
CFH6VMA	CFH6VMRA	CFH6VMUUA	CFH6VMUURA	18.5	6	16	11	M6×1	28	0.6	6 400	7 840	—	—	—	—	—	—	—	
CFH8MA	CFH8MRA	CFH8MUUA	CFH8MUURA	28.5	8	19	11	M8×1.25	32	0.6	3 960	4 330	—	—	—	—	—	—	—	
CFH8VMA	CFH8VMRA	CFH8VMUUA	CFH8VMUURA	28.5	8	19	11	M8×1.25	32	0.6	7 470	10 270	—	—	—	—	—	—	—	
CFH10MA	CFH10MRA	CFH10MUUA	CFH10MUURA	45	10	22	12	M10×1.25	36	0.6	4 950	6 310	—	—	—	—	—	—	—	
CFH10VMA	CFH10VMRA	CFH10VMUUA	CFH10VMUURA	45	10	22	12	M10×1.25	36	0.6	8 740	13 340	—	—	—	—	—	—	—	
CFH10-1MA	CFH10-1MRA	CFH10-1MUUA	CFH10-1MUURA	60	10	26	12	M10×1.25	36	0.6	4 950	6 310	—	—	—	—	—	—	—	
CFH10-1VMA	CFH10-1VMRA	CFH10-1VMUUA	CFH10-1VMUURA	60	10	26	12	M10×1.25	36	0.6	8 740	13 340	—	—	—	—	—	—	—	
CFH12MA	CFH12MRA	CFH12MUUA	CFH12MUURA	95	12	30	14	M12×1.5	40	0.6	7 300	9 010	—	—	—	—	—	—	—	
CFH12VMA	CFH12VMRA	CFH12VMUUA	CFH12VMUURA	95	12	30	14	M12×1.5	40	0.6	12 350	18 120	—	—	—	—	—	—	—	
CFH12-1MA	CFH12-1MRA	CFH12-1MUUA	CFH12-1MUURA	105	12	32	14	M12×1.5	40	0.6	7 300	9 010	—	—	—	—	—	—	—	
CFH12-1VMA	CFH12-1VMRA	CFH12-1VMUUA	CFH12-1VMUURA	105	12	32	14	M12×1.5	40	0.6	12 350	18 120	—	—	—	—	—	—	—	
CFH16MA	CFH16MRA	CFH16MUUA	CFH16MUURA	170	16	35	18	M16×1.5	52	0.8	11 080	16 860	—	—	—	—	—	—	—	
CFH16VMA	CFH16VMRA	CFH16VMUUA	CFH16VMUURA	170	16	35	18	M16×1.5	52	0.8	19 020	34 610	—	—	—	—	—	—	—	
CFH18MA	CFH18MRA	CFH18MUUA	CFH18MUURA	250	18	40	20	M18×1.5	58	0.8	13 520	23 180	—	—	—	—	—	—	—	
CFH18VMA	CFH18VMRA	CFH18VMUUA	CFH18VMUURA	250	18	40	20	M18×1.5	58	0.8	23 250	47 240	—	—	—	—	—	—	—	
CFH20MA	CFH20MRA	CFH20MUUA	CFH20MUURA	460	20	52	24	M20×1.5	66	0.8	19 020	31 830	—	—	—	—	—	—	—	
CFH20VMA	CFH20VMRA	CFH20VMUUA	CFH20VMUURA	460	20	52	24	M20×1.5	66	0.8	30 470	59 320	—	—	—	—	—	—	—	
CFH20-1MA	CFH20-1MRA	CFH20-1MUUA	CFH20-1MUURA	385	20	47	24	M20×1.5	66	0.8	19 020	31 830	—	—	—	—	—	—	—	
CFH20-1VMA	CFH20-1VMRA	CFH20-1VMUUA	CFH20-1VMUURA	385	20	47	24	M20×1.5	66	0.8	30 470	59 320	—	—	—	—	—	—	—	
CFH24MA	CFH24MRA	CFH24MUUA	CFH24MUURA	815	24	62	29	M24×1.5	80	0.8	28 040	48 410	—	—	—	—	—	—	—	
CFH24VMA	CFH24VMRA	CFH24VMUUA	CFH24VMUURA	815	24	62	29	M24×1.5	80	0.8	42 820	84 650	—	—	—	—	—	—	—	
CFH24-1MA	CFH24-1MRA	CFH24-1MUUA	CFH24-1MUURA	1 140	24	72	29	M24×1.5	80	0.8	28 040	48 410	—	—	—	—	—	—	—	
CFH24-1VMA	CFH24-1VMRA	CFH24-1VMUUA	CFH24-1VMUURA	1 140	24	72	29	M24×1.5	80	0.8	42 820	84 650	—	—	—	—	—	—	—	
CFH30MA	CFH30MRA	CFH30MUUA	CFH30MUURA	1 870	30	80	35	M30×1.5	100	1	41 740	78 250	—	—	—	—	—	—	—	
CFH30VMA	CFH30VMRA	CFH30VMUUA	CFH30VMUURA	1 870	30	80	35	M30×1.5	100	1	62 210	132 530	—	—	—	—	—	—	—	
CFH30-1MA	CFH30-1MRA	CFH30-1MUUA	CFH30-1MUURA	2 030	30	85	35	M30×1.5	100	1	41 740	78 250	—	—	—	—	—	—	—	
CFH30-1VMA	CFH30-1VMRA	CFH30-1VMUUA	CFH30-1VMUURA	2 030	30	85	35	M30×1.5	100	1	62 210	132 530	—	—	—	—	—	—	—	
CFH30-2MA	CFH30-2MRA	CFH30-2MUUA	CFH30-2MUURA	2 220	30	90	35	M30×1.5	100	1	41 740	78 250	—	—	—	—	—	—	—	
CFH30-2VMA	CFH30-2VMRA	CFH30-2VMUUA	CFH30-2VMUURA	2 220	30	90	35	M30×1.5	100	1	62 210	132 530	—	—	—	—	—	—	—	

Stud diameter (d) 5 to 10mm : No grease refilling hole is provided

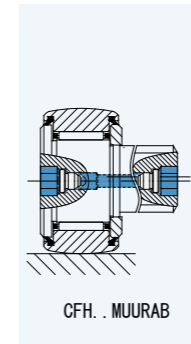
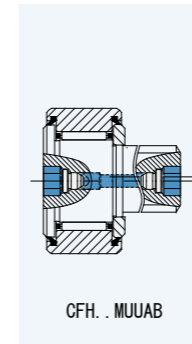
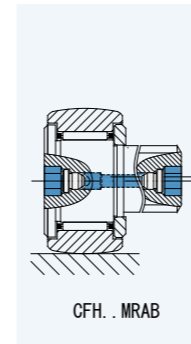
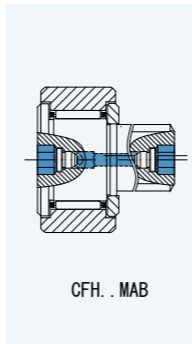
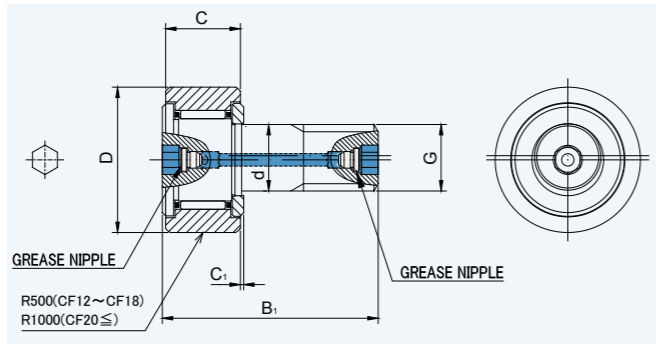


INTERCHANGE



INTERCHANGE

**CAM FOLLOWERS  
STAINLESS STEEL**  
SOLID ECCENTRIC TYPE  
HEXAGON SOCKET ON BOTH SIDES  
GREASE NIPPLE INSTALLED



**CFH..MAB, MRAB, MUUAB, MUURAB**  
STAINLESS STEEL

**CFH..MAB, MRAB, MUUAB, MUURAB**

DIMENSION TABLE

INTERCHANGE TABLE

JNS NUMBER CYLINDRICAL OUTER RING WITHOUT SEALS	JNS NUMBER CROWNED OUTER RING WITHOUT SEALS	JNS NUMBER CYLINDRICAL OUTER RING WITH SEALS	JNS NUMBER CROWNED OUTER RING WITH SEALS	Mass (Approx.) g	Dimensions(mm)						Basic dynamic load rating Cr N	Basic static load rating Cor N	INA		NTN		IKO		MCGILL	
					d	D	C	G	B1	C1			CYLINDRICAL OUTER RING WITHOUT SEALS	CROWNED OUTER RING WITHOUT SEALS	CYLINDRICAL OUTER RING WITHOUT SEALS	CROWNED OUTER RING WITHOUT SEALS	CYLINDRICAL OUTER RING WITHOUT SEALS	CROWNED OUTER RING WITHOUT SEALS	CYLINDRICAL OUTER RING WITHOUT SEALS	CROWNED OUTER RING WITHOUT SEALS
CFH..MAB	CFH..MRAB	CFH..UUAB	CFH..UURAB										—	—	—	—	—	—	—	—
CFH12MAB	CFH12RMAB	CFH12MUUAB	CFH12MUURAB	95	12	30	14	M12×1.5	40	0.6	7 300	9 010	—	—	—	—	—	—	—	—
CFH12MVAB	CFH12VMRAB	CFH12VMUUAB	CFH12VMUURAB	95	12	30	14	M12×1.5	40	0.6	12 350	18 120	—	—	—	—	—	—	—	—
CFH12-1MAB	CFH12-1MRAB	CFH12-1MUUAB	CFH12-1MUURAB	105	12	32	14	M12×1.5	40	0.6	7 300	9 010	—	—	—	—	—	—	—	—
CFH12-1MVAB	CFH12-1VMRAB	CFH12-1VMUUAB	CFH12-1VMUURAB	105	12	32	14	M12×1.5	40	0.6	12 350	18 120	—	—	—	—	—	—	—	—
CFH16MAB	CFH16RMAB	CFH16MUUAB	CFH16MUURAB	170	16	35	18	M16×1.5	52	0.8	11 080	16 860	—	—	—	—	—	—	—	—
CFH16MVAB	CFH16VMRAB	CFH16VMUUAB	CFH16VMUURAB	170	16	35	18	M16×1.5	52	0.8	19 020	34 610	—	—	—	—	—	—	—	—
CFH18MAB	CFH18RMAB	CFH18MUUAB	CFH18MUURAB	250	18	40	20	M18×1.5	58	0.8	13 520	23 180	—	—	—	—	—	—	—	—
CFH18MVAB	CFH18VMRAB	CFH18VMUUAB	CFH18VMUURAB	250	18	40	20	M18×1.5	58	0.8	23 250	47 240	—	—	—	—	—	—	—	—
CFH20MAB	CFH20RMAB	CFH20MUUAB	CFH20MUURAB	460	20	52	24	M20×1.5	66	0.8	19 020	31 830	—	—	—	—	—	—	—	—
CFH20MVAB	CFH20VMRAB	CFH20VMUUAB	CFH20VMUURAB	460	20	52	24	M20×1.5	66	0.8	30 470	59 320	—	—	—	—	—	—	—	—
CFH20-1MAB	CFH20-1MRAB	CFH20-1MUUAB	CFH20-1MUURAB	385	20	47	24	M20×1.5	66	0.8	19 020	31 830	—	—	—	—	—	—	—	—
CFH20-1MVAB	CFH20-1VMRAB	CFH20-1VMUUAB	CFH20-1VMUURAB	385	20	47	24	M20×1.5	66	0.8	30 470	59 320	—	—	—	—	—	—	—	—
CFH24MAB	CFH24RMAB	CFH24MUUAB	CFH24MUURAB	815	24	62	29	M24×1.5	80	0.8	28 040	48 410	—	—	—	—	—	—	—	—
CFH24MVAB	CFH24VMRAB	CFH24VMUUAB	CFH24VMUURAB	815	24	62	29	M24×1.5	80	0.8	42 820	84 650	—	—	—	—	—	—	—	—
CFH24-1MAB	CFH24-1MRAB	CFH24-1MUUAB	CFH24-1MUURAB	1 140	24	72	29	M24×1.5	80	0.8	28 040	48 410	—	—	—	—	—	—	—	—
CFH24-1MVAB	CFH24-1VMRAB	CFH24-1VMUUAB	CFH24-1VMUURAB	1 140	24	72	29	M24×1.5	80	0.8	42 820	84 650	—	—	—	—	—	—	—	—
CFH30MAB	CFH30RMAB	CFH30MUUAB	CFH30MUURAB	1 870	30	80	35	M30×1.5	100	1	41 740	78 250	—	—	—	—	—	—	—	—
CFH30MVAB	CFH30VMRAB	CFH30VMUUAB	CFH30VMUURAB	1 870	30	80	35	M30×1.5	100	1	62 210	132 530	—	—	—	—	—	—	—	—
CFH30-1MAB	CFH30-1MRAB	CFH30-1MUUAB	CFH30-1MUURAB	2 030	30	85	35	M30×1.5	100	1	41 740	78 250	—	—	—	—	—	—	—	—
CFH30-1MVAB	CFH30-1VMRAB	CFH30-1VMUUAB	CFH30-1VMUURAB	2 030	30	85	35	M30×1.5	100	1	62 210	132 530	—	—	—	—	—	—	—	—
CFH30-2MAB	CFH30-2RMAB	CFH30-2MUUAB	CFH30-2MUURAB	2 220	30	90	35	M30×1.5	100	1	41 740	78 250	—	—	—	—	—	—	—	—
CFH30-2MVAB	CFH30-2VMRAB	CFH30-2VMUUAB	CFH30-2VMUURAB	2 220	30	90	35	M30×1.5	100	1	62 210	132 530	—	—	—	—	—	—	—	—

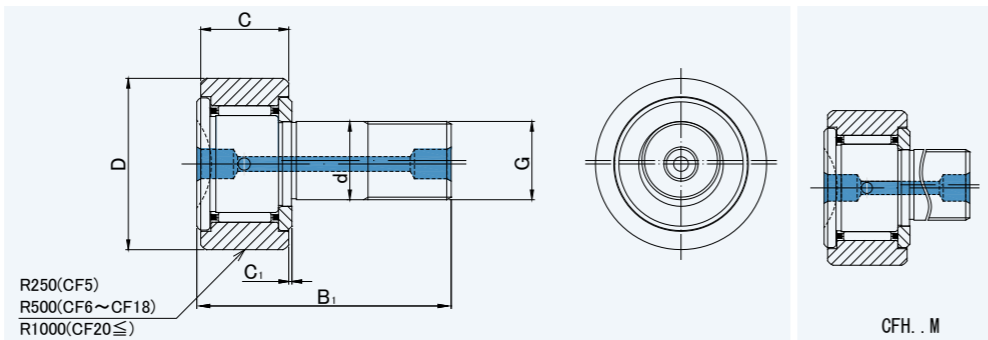


INTERCHANGE

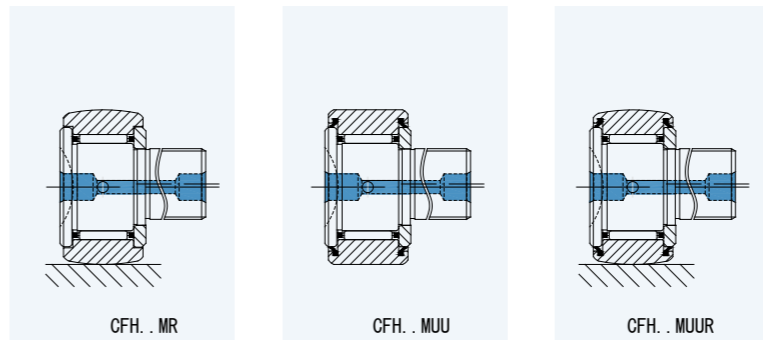


INTERCHANGE

**CAM FOLLOWERS  
STAINLESS STEEL  
SOLID ECCENTRIC TYPE  
SCREWDRIVER SLOT HEAD**



**CFH..M, MR, MUU, MUUR  
STAINLESS STEEL**



**CFH..M, MR, MUU, MUUR**

DIMENSION TABLE

INTERCHANGE TABLE

JNS NUMBER CYLINDRICAL OUTER RING	JNS NUMBER CROWNED OUTER RING	JNS NUMBER CYLINDRICAL OUTER RING WITH SEALS	JNS NUMBER CROWNED OUTER RING WITH SEALS	Mass (Approx.) g	Dimensions(mm)						Basic dynamic load rating Cr N	Basic static load rating Cor N	INA		NTN		IKO		MCGILL	
					d	D	C	G	B1	C1			CYLINDRICAL OUTER RING WITHOUT SEALS	CROWNED OUTER RING WITHOUT SEALS	CYLINDRICAL OUTER RING WITHOUT SEALS	CROWNED OUTER RING WITHOUT SEALS	CYLINDRICAL OUTER RING WITHOUT SEALS	CROWNED OUTER RING WITHOUT SEALS	CYLINDRICAL OUTER RING WITHOUT SEALS	CROWNED OUTER RING WITHOUT SEALS
CFH..M	CFH..MR	CFH..MUU	CFH..MUUR		d	D	C	G	B1	C1			—	—	—	—	—	—	—	—
CFH5M	CFH5MR	CFH5MUU	CFH5MUUR	10.5	5	13	9	M5×0.8	23	0.5	2 880	2 540	—	—	—	—	—	—	—	—
CFH5VM	CFH5VMR	CFH5VMUU	CFH5VMUUR	10.5	5	13	9	M5×0.8	23	0.5	4 690	5 060	—	—	—	—	—	—	—	—
CFH6M	CFH6MR	CFH6MUU	CFH6MUUR	18.5	6	16	11	M6×1	28	0.6	3 330	3 330	—	—	—	—	—	—	—	—
CFH6VM	CFH6VMR	CFH6VMUU	CFH6VMUUR	18.5	6	16	11	M6×1	28	0.6	6 400	7 840	—	—	—	—	—	—	—	—
CFH8M	CFH8MR	CFH8MUU	CFH8MUUR	28.5	8	19	11	M8×1.25	32	0.6	3 960	4 330	—	—	—	—	—	—	—	—
CFH8VM	CFH8VMR	CFH8VMUU	CFH8VMUUR	28.5	8	19	11	M8×1.25	32	0.6	7 470	10 270	—	—	—	—	—	—	—	—
CFH10M	CFH10MR	CFH10MUU	CFH10MUUR	45	10	22	12	M10×1.25	36	0.6	4 950	6 310	—	—	—	—	—	—	—	—
CFH10VM	CFH10VMR	CFH10VMUU	CFH10VMUUR	45	10	22	12	M10×1.25	36	0.6	8 740	13 340	—	—	—	—	—	—	—	—
CFH10-1M	CFH10-1MR	CFH10-1MUU	CFH10-1MUUR	60	10	26	12	M10×1.25	36	0.6	4 950	6 310	—	—	—	—	—	—	—	—
CFH10-1VM	CFH10-1VMR	CFH10-1VMUU	CFH10-1VMUUR	60	10	26	12	M10×1.25	36	0.6	8 740	13 340	—	—	—	—	—	—	—	—
CFH12M	CFH12MR	CFH12MUU	CFH12MUUR	95	12	30	14	M12×1.5	40	0.6	7 300	9 010	—	—	—	—	—	—	—	—
CFH12VM	CFH12VMR	CFH12VMUU	CFH12VMUUR	95	12	30	14	M12×1.5	40	0.6	12 350	18 120	—	—	—	—	—	—	—	—
CFH12-1M	CFH12-1MR	CFH12-1MUU	CFH12-1MUUR	105	12	32	14	M12×1.5	40	0.6	7 300	9 010	—	—	—	—	—	—	—	—
CFH12-1VM	CFH12-1VMR	CFH12-1VMUU	CFH12-1VMUUR	105	12	32	14	M12×1.5	40	0.6	12 350	18 120	—	—	—	—	—	—	—	—
CFH16M	CFH16MR	CFH16MUU	CFH16MUUR	170	16	35	18	M16×1.5	52	0.8	11 080	16 860	—	—	—	—	—	—	—	—
CFH16VM	CFH16VMR	CFH16VMUU	CFH16VMUUR	170	16	35	18	M16×1.5	52	0.8	19 020	34 610	—	—	—	—	—	—	—	—
CFH18M	CFH18MR	CFH18MUU	CFH18MUUR	250	18	40	20	M18×1.5	58	0.8	13 520	23 180	—	—	—	—	—	—	—	—
CFH18VM	CFH18VMR	CFH18VMUU	CFH18VMUUR	250	18	40	20	M18×1.5	58	0.8	23 250	47 240	—	—	—	—	—	—	—	—
CFH20M	CFH20MR	CFH20MUU	CFH20MUUR	460	20	52	24	M20×1.5	66	0.8	19 020	31 830	—	—	—	—	—	—	—	—
CFH20VM	CFH20VMR	CFH20VMUU	CFH20VMUUR	460	20	52	24	M20×1.5	66	0.8	30 470	59 320	—	—	—	—	—	—	—	—
CFH20-1M	CFH20-1MR	CFH20-1MUU	CFH20-1MUUR	385	20	47	24	M20×1.5	66	0.8	19 020	31 830	—	—	—	—	—	—	—	—
CFH20-1VM	CFH20-1VMR	CFH20-1VMUU	CFH20-1VMUUR	385	20	47	24	M20×1.5	66	0.8	30 470	59 320	—	—	—	—	—	—	—	—
CFH24M	CFH24MR	CFH24MUU	CFH24MUUR	815	24	62	29	M24×1.5	80	0.8	28 040	48 410	—	—	—	—	—	—	—	—
CFH24VM	CFH24VMR	CFH24VMUU	CFH24VMUUR	815	24	62	29	M24×1.5	80	0.8	42 820	84 650	—	—	—	—	—	—	—	—
CFH24-1M	CFH24-1MR	CFH24-1MUU	CFH24-1MUUR	1 140	24	72	29	M24×1.5	80	0.8	28 040	48 410	—	—	—	—	—	—	—	—
CFH24-1VM	CFH24-1VMR	CFH24-1VMUU	CFH24-1VMUUR	1 140	24	72	29	M24×1.5	80	0.8	42 820	84 650	—	—	—	—	—	—	—	—
CFH30M	CFH30MR	CFH30MUU	CFH30MUUR	1 870	30	80	35	M30×1.5	100	1	41 740	78 250	—	—	—	—	—	—	—	—
CFH30VM	CFH30VMR	CFH30VMUU	CFH30VMUUR	1 870	30	80	35	M30×1.5	100	1	62 210	132 530	—	—	—	—	—	—	—	—
CFH30-1M	CFH30-1MR	CFH30-1MUU	CFH30-1MUUR	2 030	30	85	35	M30×1.5	100	1	41 740	78 250	—	—	—	—	—	—	—	—
CFH30-1VM	CFH30-1VMR	CFH30-1VMUU	CFH30-1VMUUR	2 030	30	85	35	M30×1.5	100	1	62 210	132 530	—	—	—	—	—	—	—	—
CFH30-2M	CFH30-2MR	CFH30-2MUU	CFH30-2MUUR	2 220	30	90	35	M30×1.5	100	1	41 740	78 250	—	—	—	—	—	—	—	—
CFH30-2VM	CFH30-2VMR	CFH30-2VMUU	CFH30-2VMUUR	2 220	30	90	35	M30×1.5	100	1	62 210	132 530	—	—	—	—	—	—	—	—

Stud diameter (d) 5 to 10mm : Without oil hole in the thread side.

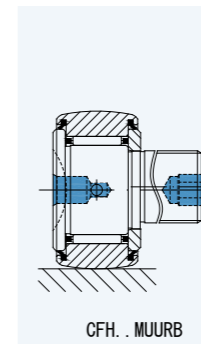
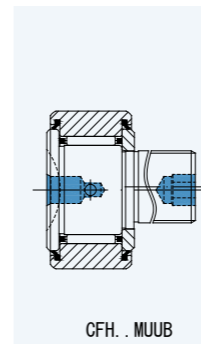
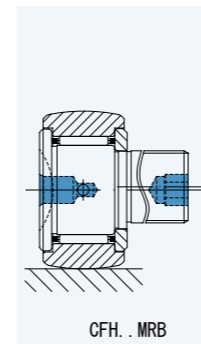
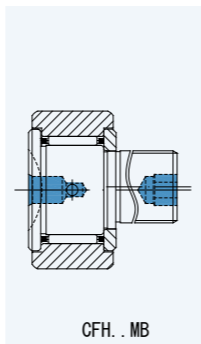
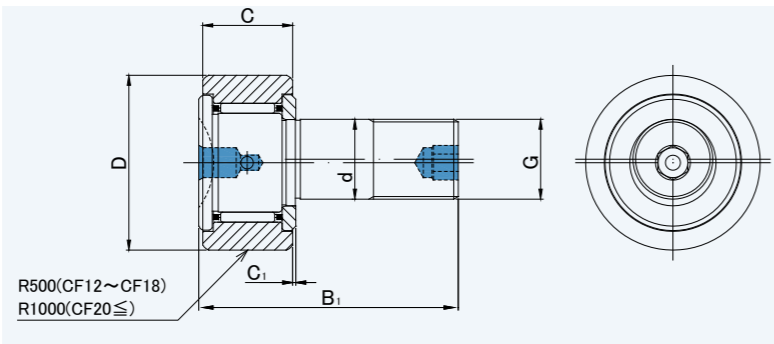


INTERCHANGE



INTERCHANGE

**CAM FOLLOWERS  
STAINLESS STEEL**  
SOLID ECCENTRIC TYPE  
HEXAGON SOCKET ON THREAD SIDE  
SCREWDRIVER SLOT HEAD



**CFH..MB, MRB, MUUB, MUURB**  
STAINLESS STEEL

**CFH..MB, MRB, MUUB, MUURB**

DIMENSION TABLE

INTERCHANGE TABLE

JNS NUMBER CYLINDRICAL OUTER RING	JNS NUMBER CROWNED OUTER RING	JNS NUMBER CYLINDRICAL OUTER RING WITH SEALS	JNS NUMBER CROWNED OUTER RING WITH SEALS	Mass (Approx.) g	Dimensions(mm)						Basic dynamic load rating Cr N	Basic static load rating Cor N	INA		NTN		IKO		MCGILL	
					d	D	C	G	B1	C1			CYLINDRICAL OUTER RING WITHOUT SEALS	CROWNED OUTER RING WITHOUT SEALS	CYLINDRICAL OUTER RING WITHOUT SEALS	CROWNED OUTER RING WITHOUT SEALS	CYLINDRICAL OUTER RING WITHOUT SEALS	CROWNED OUTER RING WITHOUT SEALS	CYLINDRICAL OUTER RING WITHOUT SEALS	CROWNED OUTER RING WITHOUT SEALS
CFH..MB	CFH..MRB	CFH..MUUB	CFH..MUURB										—	—	—	—	—	—	—	—
CFH12MB	CFH12MRB	CFH12MUUB	CFH12MUURB	95	12	30	14	M12×1.5	40	0.6	7 300	9 010	—	—	—	—	—	—	—	—
CFH12VMB	CFH12VMRB	CFH12VMUUB	CFH12VMUURB	95	12	30	14	M12×1.5	40	0.6	12 350	18 120	—	—	—	—	—	—	—	—
CFH12-1MB	CFH12-1MRB	CFH12-1MUUB	CFH12-1MUURB	105	12	32	14	M12×1.5	40	0.6	7 300	9 010	—	—	—	—	—	—	—	—
CFH12-1VMB	CFH12-1VMRB	CFH12-1VMUUB	CFH12-1VMUURB	105	12	32	14	M12×1.5	40	0.6	12 350	18 120	—	—	—	—	—	—	—	—
CFH16MB	CFH16MRB	CFH16MUUB	CFH16MUURB	170	16	35	18	M16×1.5	52	0.8	11 080	16 860	—	—	—	—	—	—	—	—
CFH16VMB	CFH16VMRB	CFH16VMUUB	CFH16VMUURB	170	16	35	18	M16×1.5	52	0.8	19 020	34 610	—	—	—	—	—	—	—	—
CFH18MB	CFH18MRB	CFH18MUUB	CFH18MUURB	250	18	40	20	M18×1.5	58	0.8	13 520	23 180	—	—	—	—	—	—	—	—
CFH18VMB	CFH18VMRB	CFH18VMUUB	CFH18VMUURB	250	18	40	20	M18×1.5	58	0.8	23 250	47 240	—	—	—	—	—	—	—	—
CFH20MB	CFH20MRB	CFH20MUUB	CFH20MUURB	460	20	52	24	M20×1.5	66	0.8	19 020	31 830	—	—	—	—	—	—	—	—
CFH20VMB	CFH20VMRB	CFH20VMUUB	CFH20VMUURB	460	20	52	24	M20×1.5	66	0.8	30 470	59 320	—	—	—	—	—	—	—	—
CFH20-1MB	CFH20-1MRB	CFH20-1MUUB	CFH20-1MUURB	385	20	47	24	M20×1.5	66	0.8	19 020	31 830	—	—	—	—	—	—	—	—
CFH20-1VMB	CFH20-1VMRB	CFH20-1VMUUB	CFH20-1VMUURB	385	20	47	24	M20×1.5	66	0.8	30 470	59 320	—	—	—	—	—	—	—	—
CFH24MB	CFH24MRB	CFH24MUUB	CFH24MUURB	815	24	62	29	M24×1.5	80	0.8	28 040	48 410	—	—	—	—	—	—	—	—
CFH24VMB	CFH24VMRB	CFH24VMUUB	CFH24VMUURB	815	24	62	29	M24×1.5	80	0.8	42 820	84 650	—	—	—	—	—	—	—	—
CFH24-1MB	CFH24-1MRB	CFH24-1MUUB	CFH24-1MUURB	1 140	24	72	29	M24×1.5	80	0.8	28 040	48 410	—	—	—	—	—	—	—	—
CFH24-1VMB	CFH24-1VMRB	CFH24-1VMUUB	CFH24-1VMUURB	1 140	24	72	29	M24×1.5	80	0.8	42 820	84 650	—	—	—	—	—	—	—	—
CFH30MB	CFH30MRB	CFH30MUUB	CFH30MUURB	1 870	30	80	35	M30×1.5	100	1	41 740	78 250	—	—	—	—	—	—	—	—
CFH30VMB	CFH30VMRB	CFH30VMUUB	CFH30VMUURB	1 870	30	80	35	M30×1.5	100	1	62 210	132 530	—	—	—	—	—	—	—	—
CFH30-1MB	CFH30-1MRB	CFH30-1MUUB	CFH30-1MUURB	2 030	30	85	35	M30×1.5	100	1	41 740	78 250	—	—	—	—	—	—	—	—
CFH30-1VMB	CFH30-1VMRB	CFH30-1VMUUB	CFH30-1VMUURB	2 030	30	85	35	M30×1.5	100	1	62 210	132 530	—	—	—	—	—	—	—	—
CFH30-2MB	CFH30-2MRB	CFH30-2MUUB	CFH30-2MUURB	2 220	30	90	35	M30×1.5	100	1	41 740	78 250	—	—	—	—	—	—	—	—
CFH30-2VMB	CFH30-2VMRB	CFH30-2VMUUB	CFH30-2VMUURB	2 220	30	90	35	M30×1.5	100	1	62 210	132 530	—	—	—	—	—	—	—	—



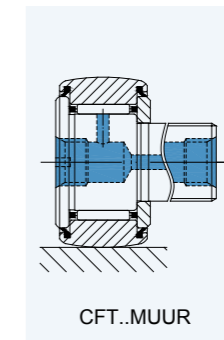
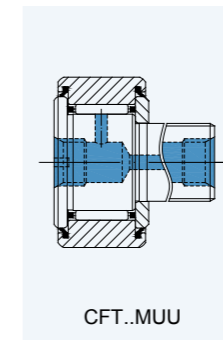
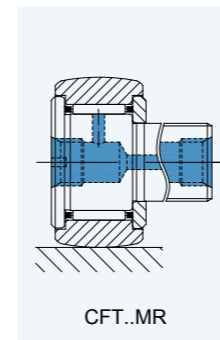
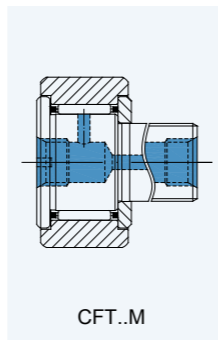
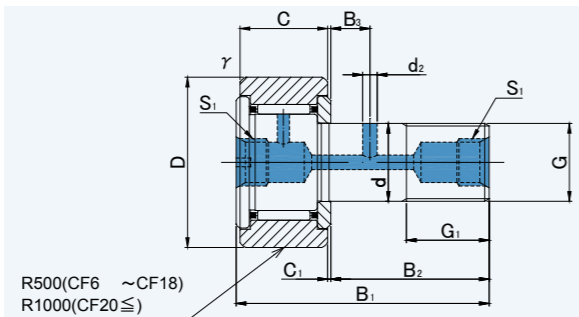
INTERCHANGE



INTERCHANGE



**CAM FOLLOWERS  
STAINLESS STEEL  
TAP HOLE FOR PIPING  
SCREWDRIVER SLOT HEAD**



**CFT..M, MR, MUU, MUUR  
STAINLESS STEEL**

**CFT..M, MR, MUU, MUUR**

DIMENSION TABLE

INTERCHANGE TABLE

JNS NUMBER CYLINDRICAL OUTER RING	JNS NUMBER CROWNED OUTER RING	JNS NUMBER CYLINDRICAL OUTER RING WITH SEALS	JNS NUMBER CROWNED OUTER RING WITH SEALS	Mass (Approx.) g	Dimensions(mm)						Basic dynamic load rating Cr N	Basic static load rating Cor N	INA		NTN		IKO		MCGILL	
					d	D	C	G	B1	C1			CYLINDRICAL OUTER RING WITHOUT SEALS	CROWNED OUTER RING WITHOUT SEALS	CYLINDRICAL OUTER RING WITHOUT SEALS	CROWNED OUTER RING WITHOUT SEALS	CYLINDRICAL OUTER RING WITHOUT SEALS	CROWNED OUTER RING WITHOUT SEALS	CYLINDRICAL OUTER RING WITHOUT SEALS	CROWNED OUTER RING WITHOUT SEALS
CFT..M	CFT..MR	CFT..MUU	CFT..MUUR										—	—	—	—	—	—	—	—
CFT6M	CFT6MR	CFT6MUU	CFT6MUUR	18.5	6	16	11	M6×1	28	0.6	3 330	3 330	—	—	—	—	—	—	—	—
CFT6VM	CFT6VMR	CFT6VMUU	CFT6VMUUR	18.5	6	16	11	M6×1	28	0.6	6 400	7 840	—	—	—	—	—	—	—	—
CFT8M	CFT8MR	CFT8MUU	CFT8MUUR	28.5	8	19	11	M8×1.25	32	0.6	3 960	4 330	—	—	—	—	—	—	—	—
CFT8VM	CFT8VMR	CFT8VMUU	CFT8VMUUR	28.5	8	19	11	M8×1.25	32	0.6	7 470	10 270	—	—	—	—	—	—	—	—
CFT10M	CFT10MR	CFT10MUU	CFT10MUUR	45	10	22	12	M10×1.25	36	0.6	4 950	6 310	—	—	—	—	—	—	—	—
CFT10VM	CFT10VMR	CFT10VMUU	CFT10VMUUR	45	10	22	12	M10×1.25	36	0.6	8 740	13 340	—	—	—	—	—	—	—	—
CFT10-1M	CFT10-1MR	CFT10-1MUU	CFT10-1MUUR	60	10	26	12	M10×1.25	36	0.6	4 950	6 310	—	—	—	—	—	—	—	—
CFT10-1VM	CFT10-1VMR	CFT10-1VMUU	CFT10-1VMUUR	60	10	26	12	M10×1.25	36	0.6	8 740	13 340	—	—	—	—	—	—	—	—
CFT12M	CFT12MR	CFT12MUU	CFT12MUUR	95	12	30	14	M12×1.5	40	0.6	7 300	9 010	—	—	—	—	—	—	—	—
CFT12VM	CFT12VMR	CFT12VMUU	CFT12VMUUR	95	12	30	14	M12×1.5	40	0.6	12 350	18 120	—	—	—	—	—	—	—	—
CFT12-1M	CFT12-1MR	CFT12-1MUU	CFT12-1MUUR	105	12	32	14	M12×1.5	40	0.6	7 300	9 010	—	—	—	—	—	—	—	—
CFT12-1VM	CFT12-1VMR	CFT12-1VMUU	CFT12-1VMUUR	105	12	32	14	M12×1.5	40	0.6	12 350	18 120	—	—	—	—	—	—	—	—
CFT16M	CFT16MR	CFT16MUU	CFT16MUUR	170	16	35	18	M16×1.5	52	0.8	11 080	16 860	—	—	—	—	—	—	—	—
CFT16VM	CFT16VMR	CFT16VMUU	CFT16VMUUR	170	16	35	18	M16×1.5	52	0.8	19 020	34 610	—	—	—	—	—	—	—	—
CFT18M	CFT18MR	CFT18MUU	CFT18MUUR	250	18	40	20	M18×1.5	58	0.8	13 520	23 180	—	—	—	—	—	—	—	—
CFT18VM	CFT18VMR	CFT18VMUU	CFT18VMUUR	250	18	40	20	M18×1.5	58	0.8	23 250	47 240	—	—	—	—	—	—	—	—
CFT20M	CFT20MR	CFT20MUU	CFT20MUUR	460	20	52	24	M20×1.5	66	0.8	19 020	31 830	—	—	—	—	—	—	—	—
CFT20VM	CFT20VMR	CFT20VMUU	CFT20VMUUR	460	20	52	24	M20×1.5	66	0.8	30 470	59 320	—	—	—	—	—	—	—	—
CFT20-1M	CFT20-1MR	CFT20-1MUU	CFT20-1MUUR	385	20	47	24	M20×1.5	66	0.8	19 020	31 830	—	—	—	—	—	—	—	—
CFT20-1VM	CFT20-1VMR	CFT20-1VMUU	CFT20-1VMUUR	385	20	47	24	M20×1.5	66	0.8	30 470	59 320	—	—	—	—	—	—	—	—
CFT24M	CFT24MR	CFT24MUU	CFT24MUUR	815	24	62	29	M24×1.5	80	0.8	28 040	48 410	—	—	—	—	—	—	—	—
CFT24VM	CFT24VMR	CFT24VMUU	CFT24VMUUR	815	24	62	29	M24×1.5	80	0.8	42 820	84 650	—	—	—	—	—	—	—	—
CFT24-1M	CFT24-1MR	CFT24-1MUU	CFT24-1MUUR	1 140	24	72	29	M24×1.5	80	0.8	28 040	48 410	—	—	—	—	—	—	—	—
CFT24-1VM	CFT24-1VMR	CFT24-1VMUU	CFT24-1VMUUR	1 140	24	72	29	M24×1.5	80	0.8	42 820	84 650	—	—	—	—	—	—	—	—
CFT30M	CFT30MR	CFT30MUU	CFT30MUUR	1 870	30	80	35	M30×1.5	100	1	41 740	78 250	—	—	—	—	—	—	—	—
CFT30VM	CFT30VMR	CFT30VMUU	CFT30VMUUR	1 870	30	80	35	M30×1.5	100	1	62 210	132 530	—	—	—	—	—	—	—	—
CFT30-1M	CFT30-1MR	CFT30-1MUU	CFT30-1MUUR	2 030	30	85	35	M30×1.5	100	1	41 740	78 250	—	—	—	—	—	—	—	—
CFT30-1VM	CFT30-1VMR	CFT30-1VMUU	CFT30-1VMUUR	2 030	30	85	35	M30×1.5	100	1	62 210	132 530	—	—	—	—	—	—	—	—
CFT30-2M	CFT30-2MR	CFT30-2MUU	CFT30-2MUUR	2 220	30	90	35	M30×1.5	100	1	41 740	78 250	—	—	—	—	—	—	—	—
CFT30-2VM	CFT30-2VMR	CFT30-2VMUU	CFT30-2VMUUR	2 220	30	90	35	M30×1.5	100	1	62 210	132 530	—	—	—	—	—	—	—	—

Stud diameter (d) 6 to 10mm : Without oil hole in the thread side.

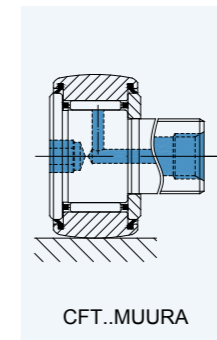
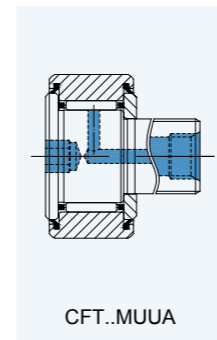
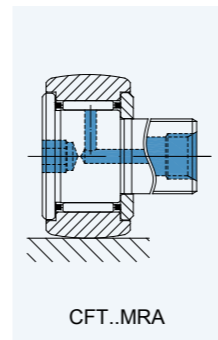
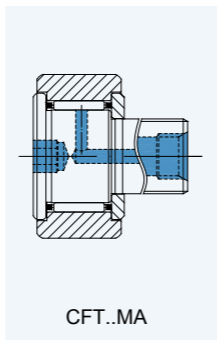
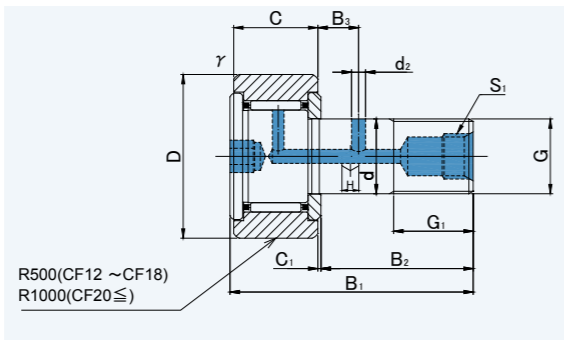


INTERCHANGE



INTERCHANGE

**CAM FOLLOWERS  
STAINLESS STEEL**  
TAP HOLE FOR PIPING  
HEXAGON SOCKET ON STUD HEAD



**CFT..MA, MRA, MUUA, MUURA**  
**STAINLESS STEEL**

**CFT..MA, MRA, MUUA, MUURA**

DIMENSION TABLE

INTERCHANGE TABLE

JNS NUMBER CYLINDRICAL OUTER RING	JNS NUMBER CROWNED OUTER RING	JNS NUMBER CYLINDRICAL OUTER RING WITH SEALS	JNS NUMBER CROWNED OUTER RING WITH SEALS	Mass (Approx.) g	Dimensions(mm)						Basic dynamic load rating Cr N	Basic static load rating Cor N	INA		NTN		IKO		MCGILL	
					d	D	C	G	B1	C1			CYLINDRICAL OUTER RING WITHOUT SEALS	CROWNED OUTER RING WITHOUT SEALS	CYLINDRICAL OUTER RING WITHOUT SEALS	CROWNED OUTER RING WITHOUT SEALS	CYLINDRICAL OUTER RING WITHOUT SEALS	CROWNED OUTER RING WITHOUT SEALS	CYLINDRICAL OUTER RING WITHOUT SEALS	CROWNED OUTER RING WITHOUT SEALS
CFT..MA	CFH..MRA	CFT..MUUA	CFT..MUURA										—	—	—	—	—	—	—	—
CFT12MA	CFT12MRA	CFT12MUUA	CFT12MUURA	95	12	30	14	M12×1.5	40	0.6	7 300	9 010	—	—	—	—	—	—	—	—
CFT12VMA	CFT12VMRA	CFT12VMUUA	CFT12VMUURA	95	12	30	14	M12×1.5	40	0.6	12 350	18 120	—	—	—	—	—	—	—	—
CFT12-1MA	CFT12-1MRA	CFT12-1MUUA	CFT12-1MUURA	105	12	32	14	M12×1.5	40	0.6	7 300	9 010	—	—	—	—	—	—	—	—
CFT12-1VMA	CFT12-1VMRA	CFT12-1VMUUA	CFT12-1VMUURA	105	12	32	14	M12×1.5	40	0.6	12 350	18 120	—	—	—	—	—	—	—	—
CFT16MA	CFT16MRA	CFT16MUUA	CFT16MUURA	170	16	35	18	M16×1.5	52	0.8	11 080	16 860	—	—	—	—	—	—	—	—
CFT16VMA	CFT16VMRA	CFT16VMUUA	CFT16VMUURA	170	16	35	18	M16×1.5	52	0.8	19 020	34 610	—	—	—	—	—	—	—	—
CFT18MA	CFT18MRA	CFT18MUUA	CFT18MUURA	250	18	40	20	M18×1.5	58	0.8	13 520	23 180	—	—	—	—	—	—	—	—
CFT18VMA	CFT18VMRA	CFT18VMUUA	CFT18VMUURA	250	18	40	20	M18×1.5	58	0.8	23 250	47 240	—	—	—	—	—	—	—	—
CFT20MA	CFT20MRA	CFT20MUUA	CFT20MUURA	460	20	52	24	M20×1.5	66	0.8	19 020	31 830	—	—	—	—	—	—	—	—
CFT20VMA	CFT20VMRA	CFT20VMUUA	CFT20VMUURA	460	20	52	24	M20×1.5	66	0.8	30 470	59 320	—	—	—	—	—	—	—	—
CFT20-1MA	CFT20-1MRA	CFT20-1MUUA	CFT20-1MUURA	385	20	47	24	M20×1.5	66	0.8	19 020	31 830	—	—	—	—	—	—	—	—
CFT20-1VMA	CFT20-1VMRA	CFT20-1VMUUA	CFT20-1VMUURA	385	20	47	24	M20×1.5	66	0.8	30 470	59 320	—	—	—	—	—	—	—	—
CFT24MA	CFT24MRA	CFT24MUUA	CFT24MUURA	815	24	62	29	M24×1.5	80	0.8	28 040	48 410	—	—	—	—	—	—	—	—
CFT24VMA	CFT24VMRA	CFT24VMUUA	CFT24VMUURA	815	24	62	29	M24×1.5	80	0.8	42 820	84 650	—	—	—	—	—	—	—	—
CFT24-1MA	CFT24-1MRA	CFT24-1MUUA	CFT24-1MUURA	1 140	24	72	29	M24×1.5	80	0.8	28 040	48 410	—	—	—	—	—	—	—	—
CFT24-1VMA	CFT24-1VMRA	CFT24-1VMUUA	CFT24-1VMUURA	1 140	24	72	29	M24×1.5	80	0.8	42 820	84 650	—	—	—	—	—	—	—	—
CFT30MA	CFT30MRA	CFT30MUUA	CFT30MUURA	1 870	30	80	35	M30×1.5	100	1	41 740	78 250	—	—	—	—	—	—	—	—
CFT30VMA	CFT30VMRA	CFT30VMUUA	CFT30VMUURA	1 870	30	80	35	M30×1.5	100	1	62 210	132 530	—	—	—	—	—	—	—	—
CFT30-1MA	CFT30-1MRA	CFT30-1MUUA	CFT30-1MUURA	2 030	30	85	35	M30×1.5	100	1	41 740	78 250	—	—	—	—	—	—	—	—
CFT30-1VMA	CFT30-1VMRA	CFT30-1VMUUA	CFT30-1VMUURA	2 030	30	85	35	M30×1.5	100	1	62 210	132 530	—	—	—	—	—	—	—	—
CFT30-2MA	CFT30-2MRA	CFT30-2MUUA	CFT30-2MUURA	2 220	30	90	35	M30×1.5	100	1	41 740	78 250	—	—	—	—	—	—	—	—
CFT30-2VMA	CFT30-2VMRA	CFT30-2VMUUA	CFT30-2VMUURA	2 220	30	90	35	M30×1.5	100	1	62 210	132 530	—	—	—	—	—	—	—	—

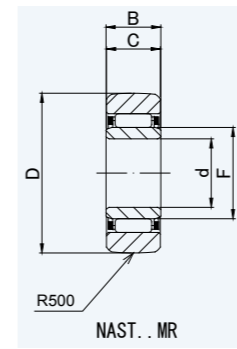
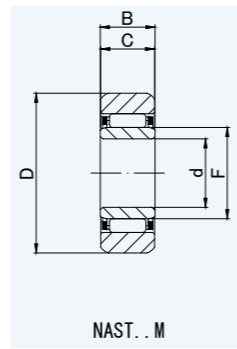
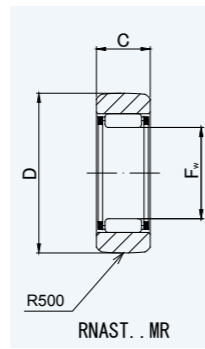
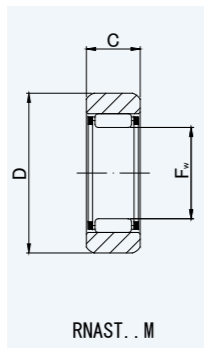


INTERCHANGE



INTERCHANGE

**ROLLER FOLLOWERS  
STAINLESS STEEL**  
SEPARABLE  
WITH INNER RING  
WITHOUT INNER RING



**RNAS...M, MR, NAS...M, MR**  
STAINLESS STEEL

**RNAS...M, MR, NAS...M, MR**

DIMENSION TABLE

JNS NUMBER CYLINDRICAL OUTER RING WITHOUT INNER RING	JNS NUMBER CROWNED OUTER RING WITHOUT INNER RING	Mass (Approx.)	JNS NUMBER CYLINDRICAL OUTER RING WITH INNER RING	JNS NUMBER CROWNED OUTER RING WITH INNER RING	Mass (Approx.)	Dimensions(mm)					Basic dynamic load rating	Basic static load rating	INA		NTN		IKO		TORRINGTON(KOYO)	
						Fw (F)	D	d	C	B			Cr N	Cor N	CYLINDRICAL OUTER RING WITHOUT INNER RING	CROWNED OUTER RING WITHOUT INNER RING	CYLINDRICAL OUTER RING WITHOUT INNER RING	CROWNED OUTER RING WITHOUT INNER RING	CYLINDRICAL OUTER RING WITHOUT INNER RING	CROWNED OUTER RING WITHOUT INNER RING
RNAS...M	RNAS...MR	g	NAS...M	NAS...MR	g	Fw (F)	D	d	C	B	Cr N	Cor N	—	—	—	—	—	—	—	—
<b>RNAS5M</b>	<b>RNAS5MR</b>	<b>8.9</b>	—	—	—	7	16	—	7.8	—	2 520	2 190	—	—	—	—	—	—	—	—
<b>RNAS6M</b>	<b>RNAS6MR</b>	<b>13.9</b>	<b>NAS6M</b>	<b>NAS6MR</b>	<b>17.8</b>	10	19	6	9.8	10	3 790	4 180	—	—	—	—	—	—	—	—
<b>RNAS8M</b>	<b>RNAS8MR</b>	<b>23.5</b>	<b>NAS8M</b>	<b>NAS8MR</b>	<b>28</b>	12	24	8	9.8	10	5 220	5 410	—	—	—	—	—	—	—	—
<b>RNAS10M</b>	<b>RNAS10MR</b>	<b>42.5</b>	<b>NAS10M</b>	<b>NAS10MR</b>	<b>50</b>	14	30	10	11.8	12	8 920	8 890	—	—	—	—	—	—	—	—
<b>RNAS12M</b>	<b>RNAS12MR</b>	<b>49.5</b>	<b>NAS12M</b>	<b>NAS12MR</b>	<b>58</b>	16	32	12	11.8	12	9 560	10 020	—	—	—	—	—	—	—	—
<b>RNAS15M</b>	<b>RNAS15MR</b>	<b>50</b>	<b>NAS15M</b>	<b>NAS15MR</b>	<b>62</b>	20	35	15	11.8	12	11 310	13 150	—	—	—	—	—	—	—	—
<b>RNAS17M</b>	<b>RNAS17MR</b>	<b>90</b>	<b>NAS17M</b>	<b>NAS17MR</b>	<b>110</b>	22	40	17	15.8	16	16 000	19 220	—	—	—	—	—	—	—	—
<b>RNAS20M</b>	<b>RNAS20MR</b>	<b>135</b>	<b>NAS20M</b>	<b>NAS20MR</b>	<b>155</b>	25	47	20	15.8	16	17 660	22 540	—	—	—	—	—	—	—	—
<b>RNAS25M</b>	<b>RNAS25MR</b>	<b>152</b>	<b>NAS25M</b>	<b>NAS25MR</b>	<b>180</b>	30	52	25	15.8	16	19 040	26 120	—	—	—	—	—	—	—	—
<b>RNAS30M</b>	<b>RNAS30MR</b>	<b>255</b>	<b>NAS30M</b>	<b>NAS30MR</b>	<b>320</b>	38	62	30	19.8	20	27 870	41 760	—	—	—	—	—	—	—	—
<b>RNAS35M</b>	<b>RNAS35MR</b>	<b>375</b>	<b>NAS35M</b>	<b>NAS35MR</b>	<b>440</b>	42	72	35	19.8	20	29 620	46 550	—	—	—	—	—	—	—	—
<b>RNAS40M</b>	<b>RNAS40MR</b>	<b>420</b>	<b>NAS40M</b>	<b>NAS40MR</b>	<b>530</b>	50	80	40	19.8	20	32 840	56 210	—	—	—	—	—	—	—	—
<b>RNAS45M</b>	<b>RNAS45MR</b>	<b>460</b>	<b>NAS45M</b>	<b>NAS45MR</b>	<b>580</b>	55	85	45	19.8	20	34 130	61 080	—	—	—	—	—	—	—	—
<b>RNAS50M</b>	<b>RNAS50MR</b>	<b>500</b>	<b>NAS50M</b>	<b>NAS50MR</b>	<b>635</b>	60	90	50	19.8	20	35 600	66 050	—	—	—	—	—	—	—	—

INTERCHANGE TABLE

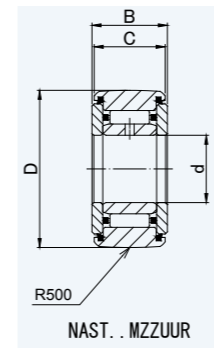
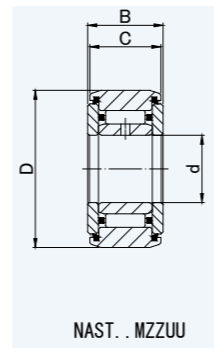
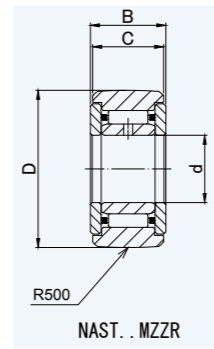
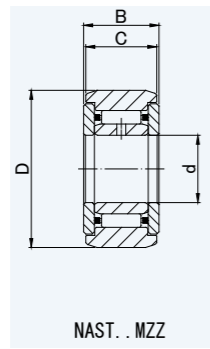


INTERCHANGE



INTERCHANGE

**ROLLER FOLLOWERS  
STAINLESS STEEL**  
SEPARABLE  
WITH INNER RING  
WITH SHIELD



**NAST..MZZ, MZZR, MZZUU, MZZUUR**  
STAINLESS STEEL

**NAST..MZZ, MZZR, MZZUU, MZZUUR**

DIMENSION TABLE

INTERCHANGE TABLE

JNS NUMBER CYLINDRICAL OUTER RING WITHOUT SEALS	JNS NUMBER CROWNED OUTER RING WITHOUT SEALS	JNS NUMBER CYLINDRICAL OUTER RING WITH SEALS	JNS NUMBER CROWNED OUTER RING WITH SEALS	Mass (Approx.) g	Dimensions(mm)				Basic dynamic load rating Cr N	Basic static load rating Cor N	INA		NTN		IKO		TORRINGTON(KOYO)	
					d	D	B	C			CYLINDRICAL OUTER RING WITHOUT SEALS	CROWNED OUTER RING WITHOUT SEALS	CYLINDRICAL OUTER RING WITHOUT SEALS	CROWNED OUTER RING WITHOUT SEALS	CYLINDRICAL OUTER RING WITHOUT SEALS	CROWNED OUTER RING WITHOUT SEALS	CYLINDRICAL OUTER RING WITHOUT SEALS	CROWNED OUTER RING WITHOUT SEALS
NAST..MZZ	NAST..MZZR	NAST..MZZUU	NAST..MZZUUR	g	d	D	B	C	Cr N	Cor N	—	—	—	—	—	—	—	—
NAST6MZZ	NAST6MZZR	NAST6MZZUU	NAST6MZZUUR	24.5	6	19	14	13.8	3 790	4 180	—	—	—	—	—	—	—	—
NAST8MZZ	NAST8MZZR	NAST8MZZUU	NAST8MZZUUR	39	8	24	14	13.8	5 220	5 410	—	—	—	—	—	—	—	—
NAST10MZZ	NAST10MZZR	NAST10MZZUU	NAST10MZZUUR	65	10	30	16	15.8	8 920	8 890	—	—	—	—	—	—	—	—
NAST12MZZ	NAST12MZZR	NAST12MZZUU	NAST12MZZUUR	75	12	32	16	15.8	9 560	10 020	—	—	—	—	—	—	—	—
NAST15MZZ	NAST15MZZR	NAST15MZZUU	NAST15MZZUUR	83	15	35	16	15.8	11 310	13 150	—	—	—	—	—	—	—	—
NAST17MZZ	NAST17MZZR	NAST17MZZUU	NAST17MZZUUR	135	17	40	20	19.8	16 000	19 220	—	—	—	—	—	—	—	—
NAST20MZZ	NAST20MZZR	NAST20MZZUU	NAST20MZZUUR	195	20	47	20	19.8	17 660	22 540	—	—	—	—	—	—	—	—
NAST25MZZ	NAST25MZZR	NAST25MZZUU	NAST25MZZUUR	225	25	52	20	19.8	19 040	26 120	—	—	—	—	—	—	—	—
NAST30MZZ	NAST30MZZR	NAST30MZZUU	NAST30MZZUUR	400	30	62	25	24.8	27 870	41 760	—	—	—	—	—	—	—	—
NAST35MZZ	NAST35MZZR	NAST35MZZUU	NAST35MZZUUR	550	35	72	25	24.8	29 620	46 550	—	—	—	—	—	—	—	—
NAST40MZZ	NAST40MZZR	NAST40MZZUU	NAST40MZZUUR	710	40	80	26	25.8	32 840	56 210	—	—	—	—	—	—	—	—
NAST45MZZ	NAST45MZZR	NAST45MZZUU	NAST45MZZUUR	760	45	85	26	25.8	34 130	61 080	—	—	—	—	—	—	—	—
NAST50MZZ	NAST50MZZR	NAST50MZZUU	NAST50MZZUUR	830	50	90	26	25.8	35 600	66 050	—	—	—	—	—	—	—	—



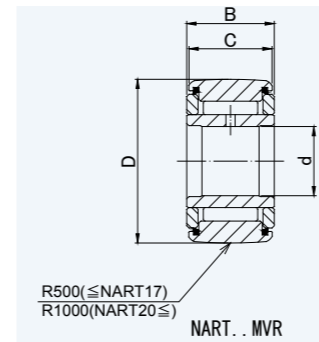
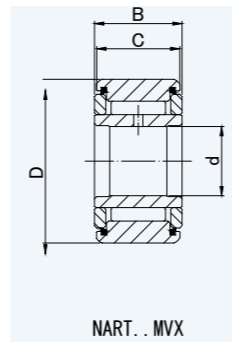
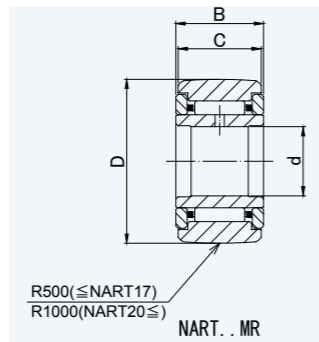
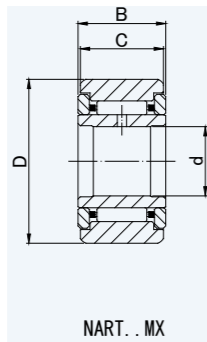
INTERCHANGE



INTERCHANGE



**ROLLER FOLLOWERS  
STAINLESS STEEL  
NON SEPARABLE  
WITH INNER RING**



**NART..MX, MR, MUUX, MUUR  
STAINLESS STEEL**

**NART..MX, MR, MUUX, MUUR**

DIMENSION TABLE

JNS NUMBER CYLINDRICAL OUTER RING WITHOUT SEALS	JNS NUMBER CROWNED OUTER RING WITHOUT SEALS	JNS NUMBER CYLINDRICAL OUTER RING WITH SEALS	JNS NUMBER CROWNED OUTER RING WITH SEALS	Mass (Approx.)	Dimensions(mm)				Basic dynamic load rating	Basic static load rating	INA		NTN		IKO		MCGILL	
					d	D	B	C			Cr N	Cor N	CYLINDRICAL OUTER RING WITHOUT SEALS	CROWNED OUTER RING WITHOUT SEALS	CYLINDRICAL OUTER RING WITHOUT SEALS	CROWNED OUTER RING WITHOUT SEALS	CYLINDRICAL OUTER RING WITHOUT SEALS	CROWNED OUTER RING WITHOUT SEALS
NART..MX	NART..MR	NART..MUUX	NART..MUUR	g	d	D	B	C	Cr N	Cor N	—	—	—	—	—	—	—	—
NART5MX	NART5MR	NART5MUUX	NART5MUUR	14.5	5	16	12	11	3 330	3 420	—	—	—	—	—	—	—	—
NART5MVX	NART5MVR	NART5MUUVX	NART5MUUVR	15.1	5	16	12	11	6 210	7 670	—	—	—	—	—	—	—	—
NART6MX	NART6MR	NART6MUUX	NART6MUUR	20.5	6	19	12	11	3 860	4 320	—	—	—	—	—	—	—	—
NART6MVX	NART6MVR	NART6MUUVX	NART6MUUVR	21.5	6	19	12	11	7 020	9 470	—	—	—	—	—	—	—	—
NART8MX	NART8MR	NART8MUUX	NART8MUUR	41.5	8	24	15	14	6 070	6 710	—	—	—	—	—	—	—	—
NART8MVX	NART8MVR	NART8MUUVX	NART8MUUVR	42.5	8	24	15	14	10 850	14 350	—	—	—	—	—	—	—	—
NART10MX	NART10MR	NART10MUUX	NART10MUUR	64.5	10	30	15	14	7 910	7 630	—	—	—	—	—	—	—	—
NART10MVX	NART10MVR	NART10MUUVX	NART10MUUVR	66.5	10	30	15	14	14 350	16 650	—	—	—	—	—	—	—	—
NART12MX	NART12MR	NART12MUUX	NART12MUUR	71	12	32	15	14	8 370	8 460	—	—	—	—	—	—	—	—
NART12MVX	NART12MVR	NART12MUUVX	NART12MUUVR	73	12	32	15	14	15 450	18 860	—	—	—	—	—	—	—	—
NART15MX	NART15MR	NART15MUUX	NART15MUUR	102	15	35	19	18	13 240	16 190	—	—	—	—	—	—	—	—
NART15MVX	NART15MVR	NART15MUUVX	NART15MUUVR	106	15	35	19	18	23 090	33 480	—	—	—	—	—	—	—	—
NART17MX	NART17MR	NART17MUUX	NART17MUUR	149	17	40	21	20	17 110	20 700	—	—	—	—	—	—	—	—
NART17MVX	NART17MVR	NART17MUUVX	NART17MUUVR	155	17	40	21	20	29 440	42 500	—	—	—	—	—	—	—	—
NART20MX	NART20MR	NART20MUUX	NART20MUUR	250	20	47	25	24	22 170	30 080	—	—	—	—	—	—	—	—
NART20MVX	NART20MVR	NART20MUUVX	NART20MUUVR	255	20	47	25	24	38 360	61 910	—	—	—	—	—	—	—	—
NART25MX	NART25MR	NART25MUUX	NART25MUUR	285	25	52	25	24	23 730	34 500	—	—	—	—	—	—	—	—
NART25MVX	NART25MVR	NART25MUUVX	NART25MUUVR	295	25	52	25	24	41 860	72 680	—	—	—	—	—	—	—	—
NART30MX	NART30MR	NART30MUUX	NART30MUUR	470	30	62	29	28	33 300	52 340	—	—	—	—	—	—	—	—
NART30MVX	NART30MVR	NART30MUUVX	NART30MUUVR	485	30	62	29	28	55 010	101 560	—	—	—	—	—	—	—	—
NART35MX	NART35MR	NART35MUUX	NART35MUUR	640	35	72	29	28	35 140	57 770	—	—	—	—	—	—	—	—
NART35MVX	NART35MVR	NART35MUUVX	NART35MUUVR	655	35	72	29	28	57 960	111 780	—	—	—	—	—	—	—	—
NART40MX	NART40MR	NART40MUUX	NART40MUUR	845	40	80	32	30	42 500	77 920	—	—	—	—	—	—	—	—
NART40MVX	NART40MVR	NART40MUUVX	NART40MUUVR	865	40	80	32	30	70 100	151 060	—	—	—	—	—	—	—	—
NART45MX	NART45MR	NART45MUUX	NART45MUUR	915	45	85	32	30	45 350	87 580	—	—	—	—	—	—	—	—
NART45MVX	NART45MVR	NART45MUUVX	NART45MUUVR	935	45	85	32	30	73 780	166 610	—	—	—	—	—	—	—	—
NART50MX	NART50MR	NART50MUUX	NART50MUUR	980	50	90	32	30	47 010	94 110	—	—	—	—	—	—	—	—
NART50MVX	NART50MVR	NART50MUUVX	NART50MUUVR	1 010	50	90	32	30	77 370	182 160	—	—	—	—	—	—	—	—

INTERCHANGE TABLE



INTERCHANGE



INTERCHANGE

*All of JNS products are made in Japan.*



HEAD OFFICE

OSAKA, JAPAN

NARA, JAPAN



NARA PLANT

All rights reserved.

\* Exterior and/or specification of products listed in the catalog is subject to be changed without advanced notice for improvement purpose.

\* While this catalog is prepared with great care for its accuracy, NOSE SEIKO may not be responsible for any damage caused by any typographical error or omission in this catalog.